



COMMERCIAL VEHICLE AUCTIONS LTD
THE UK'S MOST ESTABLISHED COMMERCIAL VEHICLE AUCTIONEERS

Carr Hill Industrial Estate
Doncaster
DN4 8DE

01302 732600 | cva.noreply@cva-auctions.co.uk

VEHICLE INSPECTION REPORT

AY18JVO

Mercedes-Benz Actros 1840

Inspection

Serious Damage? No

Vehicle

VAT Plus VAT

V5 Present

Details

Reg. date	14/06/2018	Colour	WHITE	Gearbox	AUTOMATIC
Year	2018	VIN	WDB96300320244010	Axle Combi	4x2
Mileage	655,324 Km Not Warranted	Body Style	Chassis Cab	Rear Suspension	Air
Fuel Type	Diesel	MOT Due	31/07/2026		
GVW	18000kg	Cab Type	STREAMSPACE CAB (2.3M, 170MM)		

C/W DONBUR DRAWBAR TRAILER, ID: C479987, BPW DRUM AXLES, YEAR: 2018, VIN: SEPDT18AKJL068177, 6.4M LENGTH, MOT: 30/09/2026

Tyres

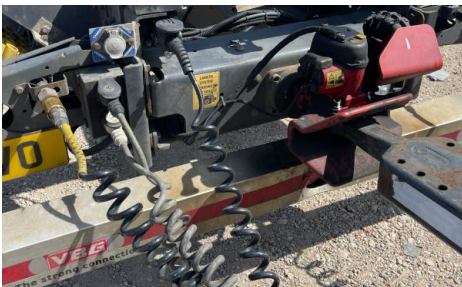
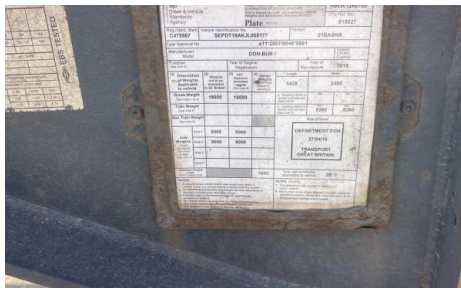
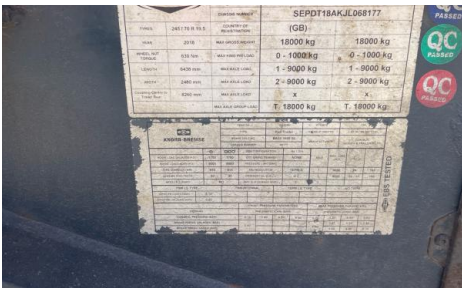
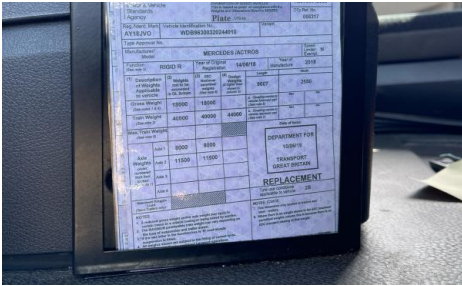
NSF	NSI1	NSI2	NSI3	NSI4
OSF	OSI1	OSI2	OSI3	OSI4
Spare	NSO1	NSO2	NSO3	NSO4
	OSO1	OSO2	OSO3	OSO4

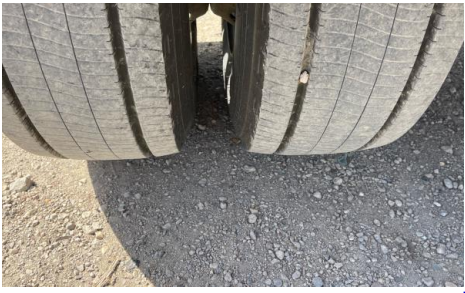
Features

- Park assist camera
- Air conditioning

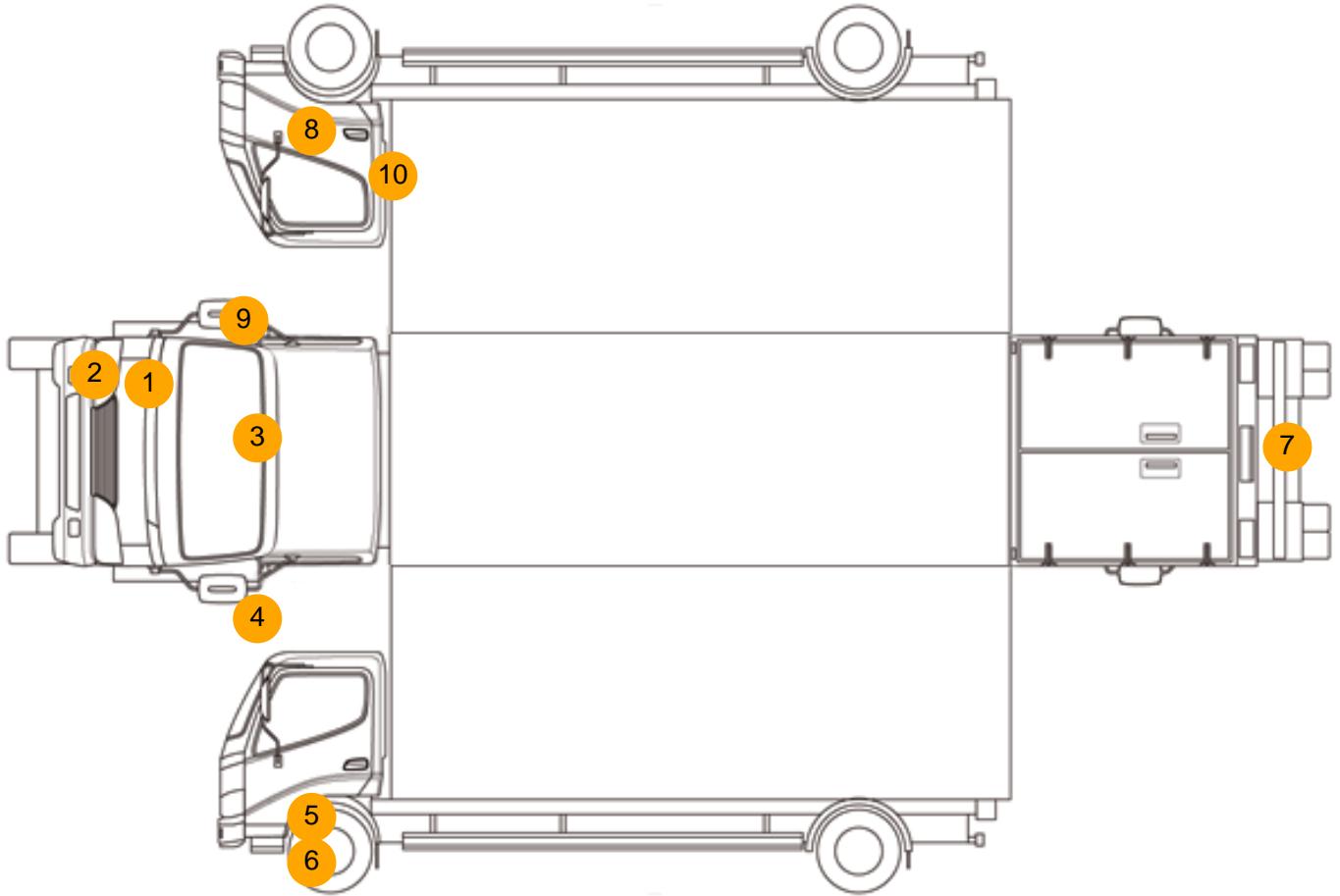
Photos







Condition Check



Damage Photos



1: Fog Lamp Surround os
Missing
Replace



2: Bumper Front Moulding
Scuffed (Unpainted)
Over 100mm



3: Screen Front
Chipped
Over 10mm

4: Door Mirror Assy nsf
Scuffed (Unpainted)
Over 100mm



5: Wing Front Arch Extension ns
Scuffed (Unpainted)
Over 100mm

6: Wing Front Arch Extension ns
Scuffed (Unpainted)
Over 100mm



7: Bumper Rear
Hole
Over 25mm

8: Wing Front Arch Extension os
Scuffed (Unpainted)
Over 100mm



9: Door Mirror Assy osf
Scuffed (Unpainted)
Over 100mm

10: Door osf
Chipped
Edge Chip

Interior

Carpet Condition	Average	Upholstery Condition	Average
Seat Condition	Average	Odour	-
Engine Runs	OK	Gearbox 1st and Reverse Test	OK
Brakes	OK	Clutch Slip Test from Static	OK
Parking Brake	OK	Gearbox Static Gear Selection (engine running)	OK
		No Excessive Smoking	OK
EML light illuminated	OK	Oil warning light illuminated	OK
Airbag light illuminated	OK	DPF light illuminated	OK
ABS light illuminated	OK	Service indicator light illuminated	OK