



COMMERCIAL VEHICLE AUCTIONS LTD
THE UK'S MOST ESTABLISHED COMMERCIAL VEHICLE AUCTIONEERS

Carr Hill Industrial Estate
Doncaster
DN4 8DE

01302 732600 | cva.noreply@cva-auctions.co.uk

VEHICLE INSPECTION REPORT

KY16SWX

Isuzu D-Max 2.5TD Single Cab 4x4

Inspection

Serious Damage? No

Vehicle

VAT Plus VAT

V5 Buyer To Apply

Details

Reg. date	17/05/2016	Colour	WHITE	CAP Average	£3,475.00
Year	2016	VIN	MPATFS86JFT027263	CAP Below	£2,550.00
Mileage	127,616 Miles Warranted	Body Style	Access Platform	Gearbox	MANUAL
Fuel Type	Diesel	MOT Due	Expired	Gears	6
GVW	3500kg	CAP Clean	£4,275.00	Axle Combi	4x4

WARNING LIGHT ON DASH TOW BAR, V5 REFERENCE NUMBER AVAILABLE FOR TAXATION PURPOSES

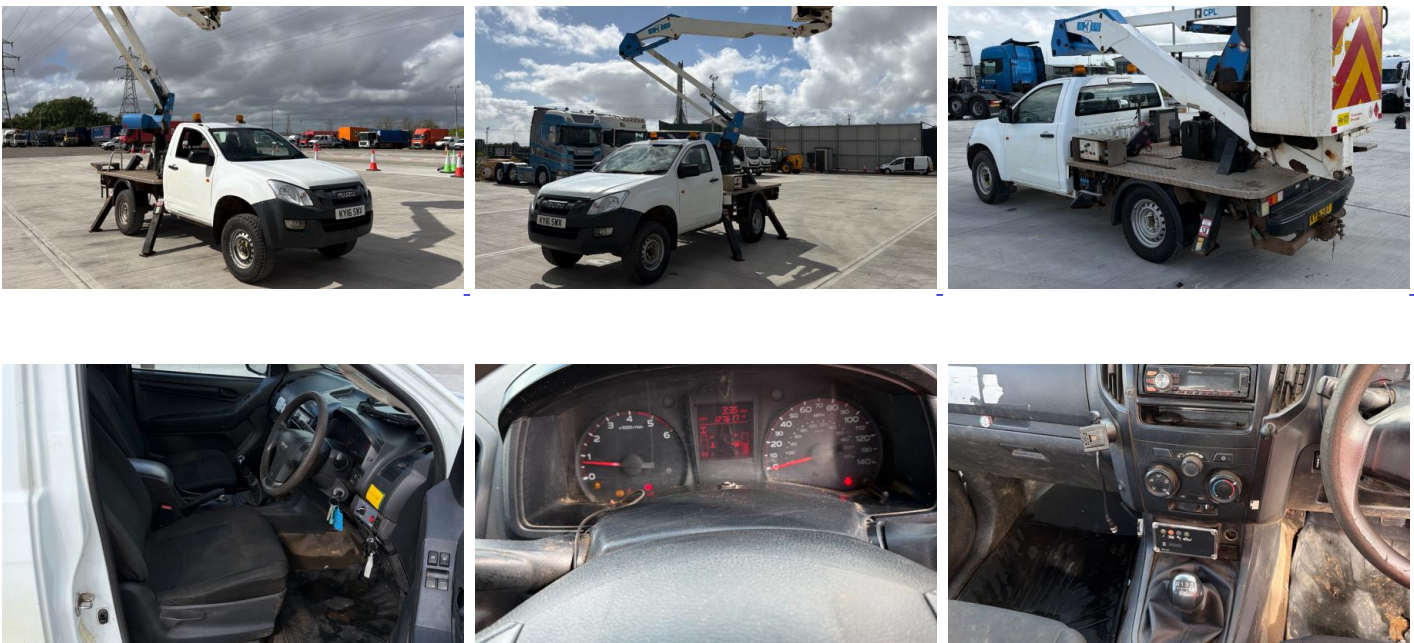
Tyres

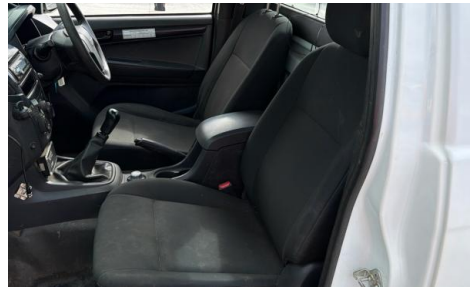
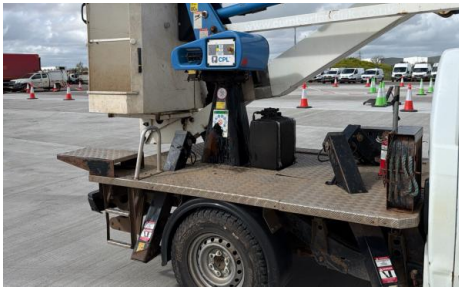
NSF
NSR
OSF
OSR
Spare

Features

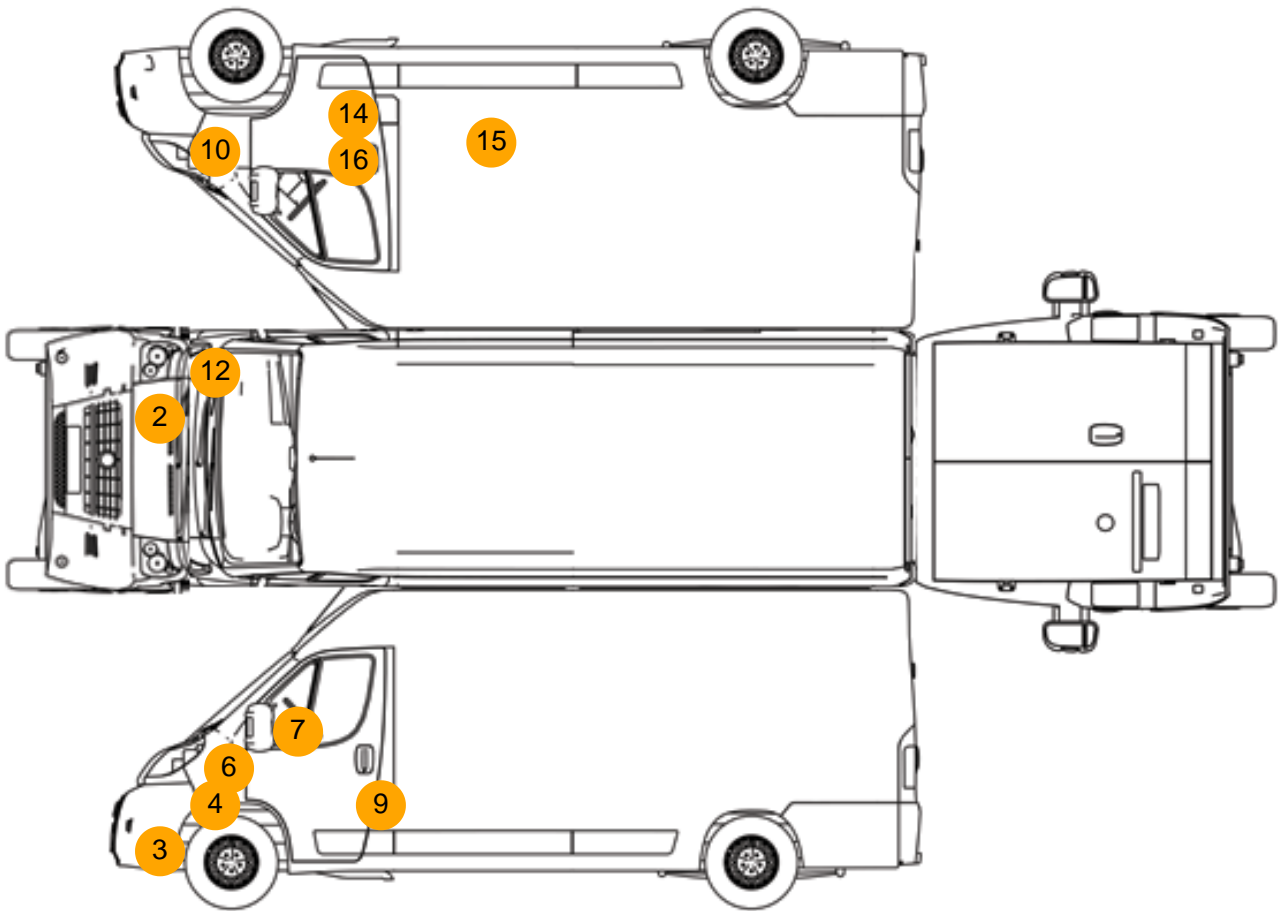
- Radio/CD
- Passenger airbag
- Air conditioning
- Central locking
- Front electric windows
- Cloth seat trim
- Drivers airbag

Photos





Condition Check



Damage Photos



1: Dash Warning Lights
Displayed
No Action

2: Bonnet
Chipped
Multiple Chips



3: Bumper Front
Insecure
Action Required

4: Bumper Front Moulding
Missing
Replace



5: Wing nsf
Scratched
Over 25mm Thru Paint

6: Wing nsf
Dented
Between 10mm + 30mm



7: Door Mirror Assy nsf
Broken
Replace

8: Sill ns
Dented
With Paint Damage



9: Door nsf
Chipped
Multiple Chips

10: Panel Rear
Scratched
Over 25mm Thru Paint



11: Wing osf
Scratched
Over 25mm Thru Paint

12: A Post os
Rusted
Up To 5mm



13: Door osf
Scratched
Rusted

14: Door osf
Dented
Over 30mm



15: Qtr Panel osr
Dented
With Paint Damage

16: Door osf
Scratched
Over 25mm Thru Paint

Interior

Carpet Condition
Seat Condition

Average
Average

Upholstery Condition
Odour

Average
-

Engine Runs	OK	Gearbox 1st and Reverse Test	OK
Brakes	OK	Clutch Slip Test from Static	OK
Parking Brake	OK	Gearbox Static Gear Selection (engine running)	OK
		No Excessive Smoking	OK
EML light illuminated	OK		
ABS light illuminated	Fault		