



COMMERCIAL VEHICLE AUCTIONS LTD
THE UK'S MOST ESTABLISHED COMMERCIAL VEHICLE AUCTIONEERS

Carr Hill Industrial Estate
Doncaster
DN4 8DE

01302 732600 | cva.noreply@cva-auctions.co.uk

VEHICLE INSPECTION REPORT

CV16XWB

Ford Transit 350 2.2 TDCi 155ps H3 Van

Inspection

Serious Damage? No

Vehicle

VAT Plus VAT

V5 Buyer To Apply

Details

Reg. date	20/06/2016	Colour	WHITE	CAP Average	£3,025.00
Year	2016	VIN	WFOXXXTTGXGA27405	CAP Below	£2,175.00
Mileage	114,293 Miles Warranted	Body Style	Panel Van L2	Gearbox	MANUAL
Fuel Type	Diesel	MOT Due	19/06/2026	Gears	6
GVW	3500kg	CAP Clean	£3,700.00	Axle Combi	4x2

POWER INVERTER, TEVO RACKING, SOCKETS IN REAR, SINGLE LOAD DOOR, TOW BAR, ROOF RACK, E/MIRRORS, HEATED WINDSCREEN, V5 NEW KEEPER DOCUMENT REFERENCE NUMBER AVAILABLE FOR TAXATION PURPOSES

Tyres

NSF

NSR

OSF

OSR

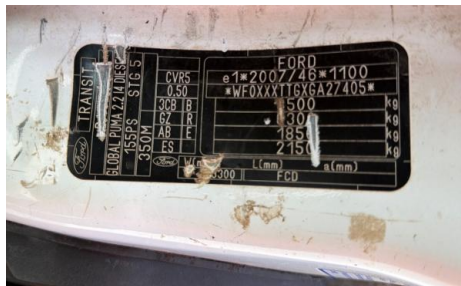
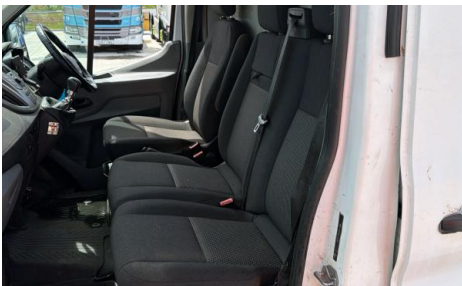
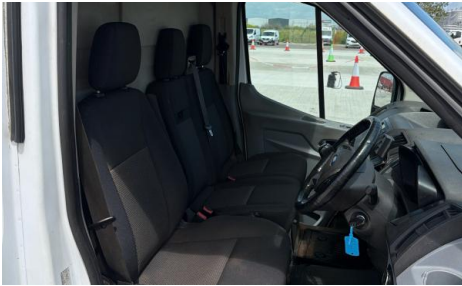
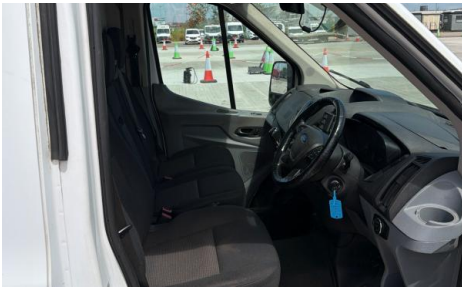
Spare

Features

- Bluetooth connection
- Drivers airbag
- Park assist camera
- Passenger airbag
- Radio/CD
- Central locking
- Front electric windows
- Cloth seat trim

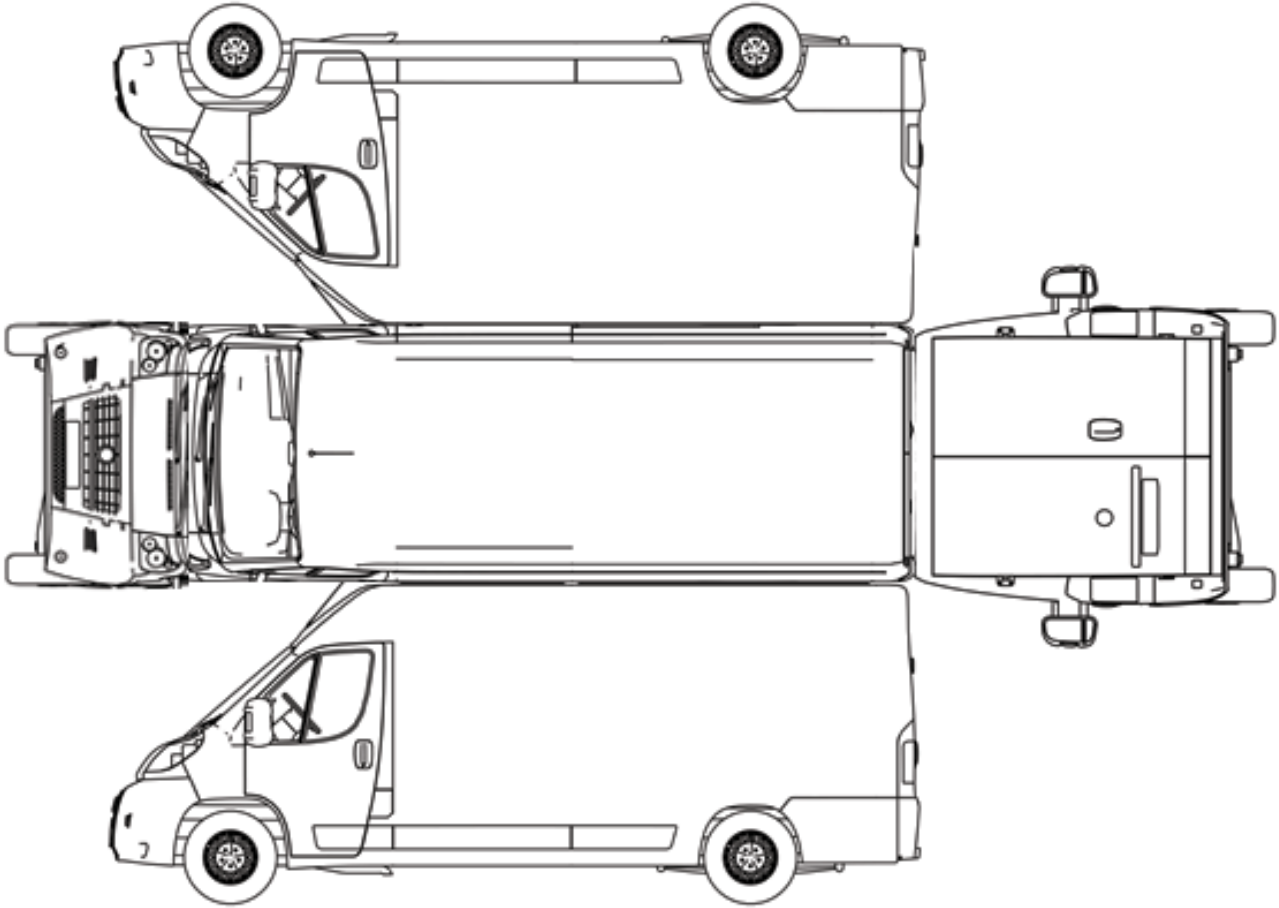
Photos







Condition Check



Damage Photos



1: Seat Back Cover of
Missing
Replace

Interior

Carpet Condition
Seat Condition

Average
Average

Upholstery Condition
Odour

Average
-

Engine Runs	OK	Gearbox 1st and Reverse Test	OK
Brakes	OK	Gearbox Static Gear Selection (engine running)	OK
Parking Brake	OK	No Excessive Smoking	OK
EML light illuminated	OK	DPF light illuminated	OK
ABS light illuminated	OK		