



COMMERCIAL VEHICLE AUCTIONS LTD
THE UK'S MOST ESTABLISHED COMMERCIAL VEHICLE AUCTIONEERS

Carr Hill Industrial Estate
Doncaster
DN4 8DE

01302 732600 | cva.noreply@cva-auctions.co.uk

VEHICLE INSPECTION REPORT

WX17GPZ

Isuzu D-Max 2.5TD Extended Cab 4x4

Non Runner

Inspection

Serious Damage? No

Vehicle

VAT	Plus VAT
V5	Buyer To Apply

Details

Reg. date	01/08/2017	Colour	WHITE	CAP Average	£4,075.00
Year	2017	VIN	MPATFS86JFT034170	CAP Below	£3,000.00
Mileage	124,577 Miles Warranted	Body Style	Pickup Single Cab	Gearbox	MANUAL
Fuel Type	Diesel	MOT Due	31/07/2026	Gears	6
GVW	3050kg	CAP Clean	£4,850.00	Axle Combi	4x4

NON-RUNNER-ENGINE INOP TOW BAR, ROOF RACK, WINCH, V5 NEW KEEPER DOCUMENT REFERENCE NUMBER AVAILABLE FOR TAXATION PURPOSES

Tyres

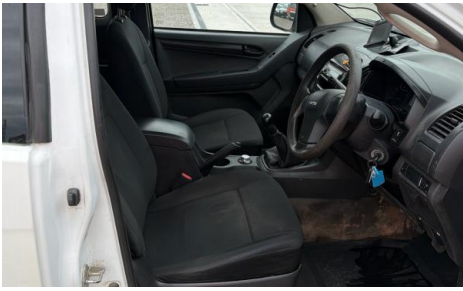
NSF
NSR
OSF
OSR
Spare

Features

- Park assist camera
- Drivers airbag
- Radio/CD
- Passenger airbag
- Air conditioning
- Central locking
- Front electric windows
- Cloth seat trim

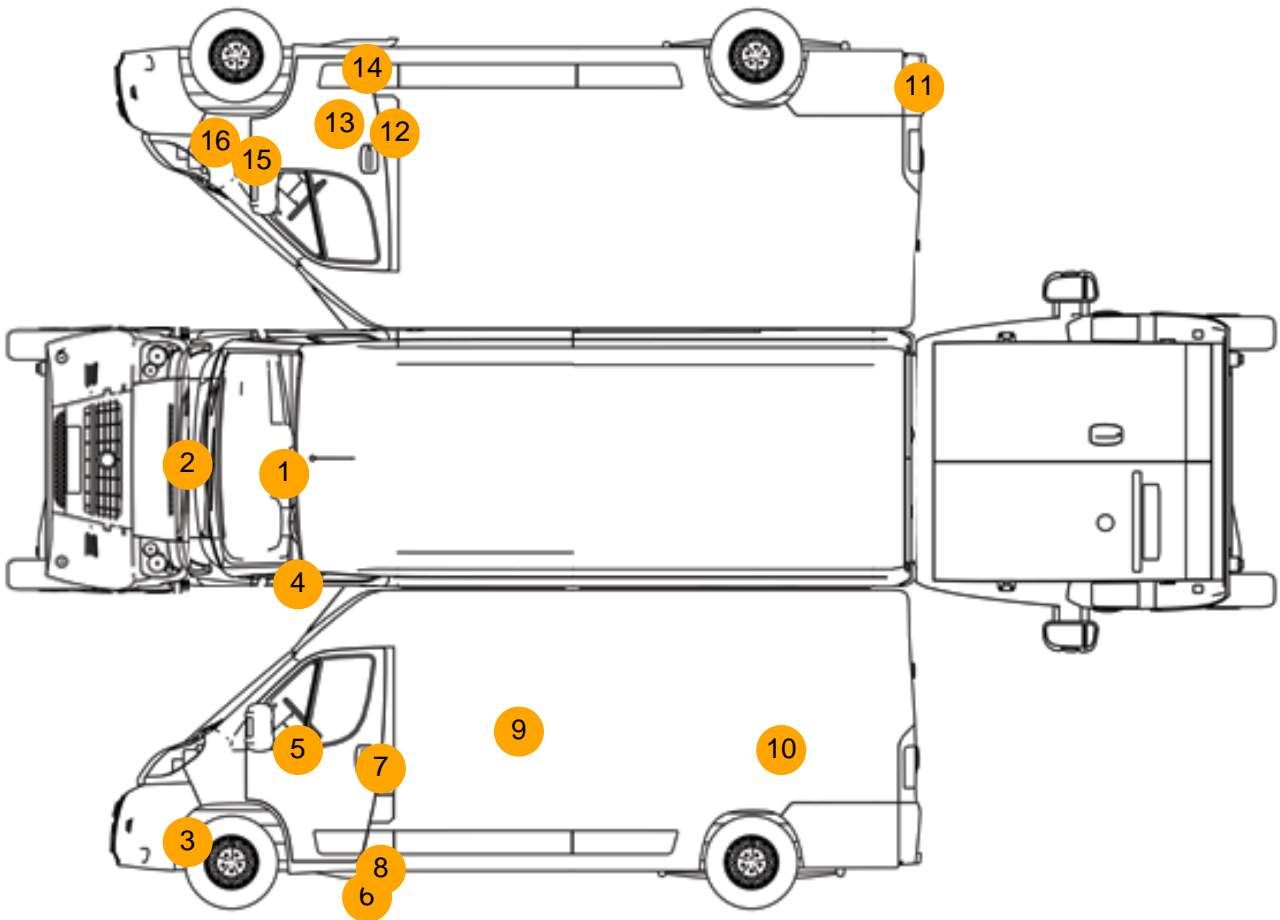
Photos







Condition Check



Damage Photos



1: Screen Front
Chipped
Over 10mm

2: Bonnet
Chipped
Multiple Chips



3: Bumper Front
Scratched
Over 100mm Thru Paint

4: A Post ns
Rusted
UpTo 5mm



5: Door nsf
Scratched
Over 25mm Thru Paint

6: Sill ns
Dented
With Paint Damage



7: Door nsf
Chipped
Multiple Chips

8: Door nsf
Dented
Between 10mm + 30mm



9: Qtr Panel nsr
Scratched
Over 25mm Thru Paint

10: Qtr Panel nsr
Scratched
Over 25mm Thru Paint



11: Panel Rear
Cracked
Replace

12: Door osf
Chipped
Multiple Chips



13: Door osf
Dented
Over 30mm

14: Sill os
Dented
With Paint Damage



15: Wing of
Dented
With Paint Damage

16: Wing of
Rusted
Over 5mm



17: Centre Console Front
Holed
Over 3mm

Interior

Carpet Condition
Seat Condition

Average
Average

Upholstery Condition
Odour

Average
-

Engine Runs **Fault**