



COMMERCIAL VEHICLE AUCTIONS LTD
THE UK'S MOST ESTABLISHED COMMERCIAL VEHICLE AUCTIONEERS

Carr Hill Industrial Estate
Doncaster
DN4 8DE

01302 732600 | cva.noreply@cva-auctions.co.uk

VEHICLE INSPECTION REPORT

WX17UTC

Isuzu D-Max 2.5TD

Inspection

Serious Damage? No

Vehicle

VAT Plus VAT

V5 Buyer To Apply

Details

Reg. date	15/03/2017	Colour	WHITE	CAP Average	£3,550.00
Year	2017	VIN	MPATFS86JFT031760	CAP Below	£2,650.00
Mileage	138,295 Miles Warranted	Body Style	Pickup Double Cab	Gearbox	MANUAL
Fuel Type	Diesel	MOT Due	Expired	Gears	6
GVW	3050kg	CAP Clean	£4,225.00	Axle Combi	4x4

ENGINE/TURBO FAULT, WARNING LIGHT ON DASH, RADIO IS MISSING, TOW BAR, ROOF RACK, V5 NEW KEEPER REFERENCE NUMBER AVAILABLE FOR TAXATION PURPOSES.

Tyres

NSF

NSR

OSF

OSR

Spare

Features

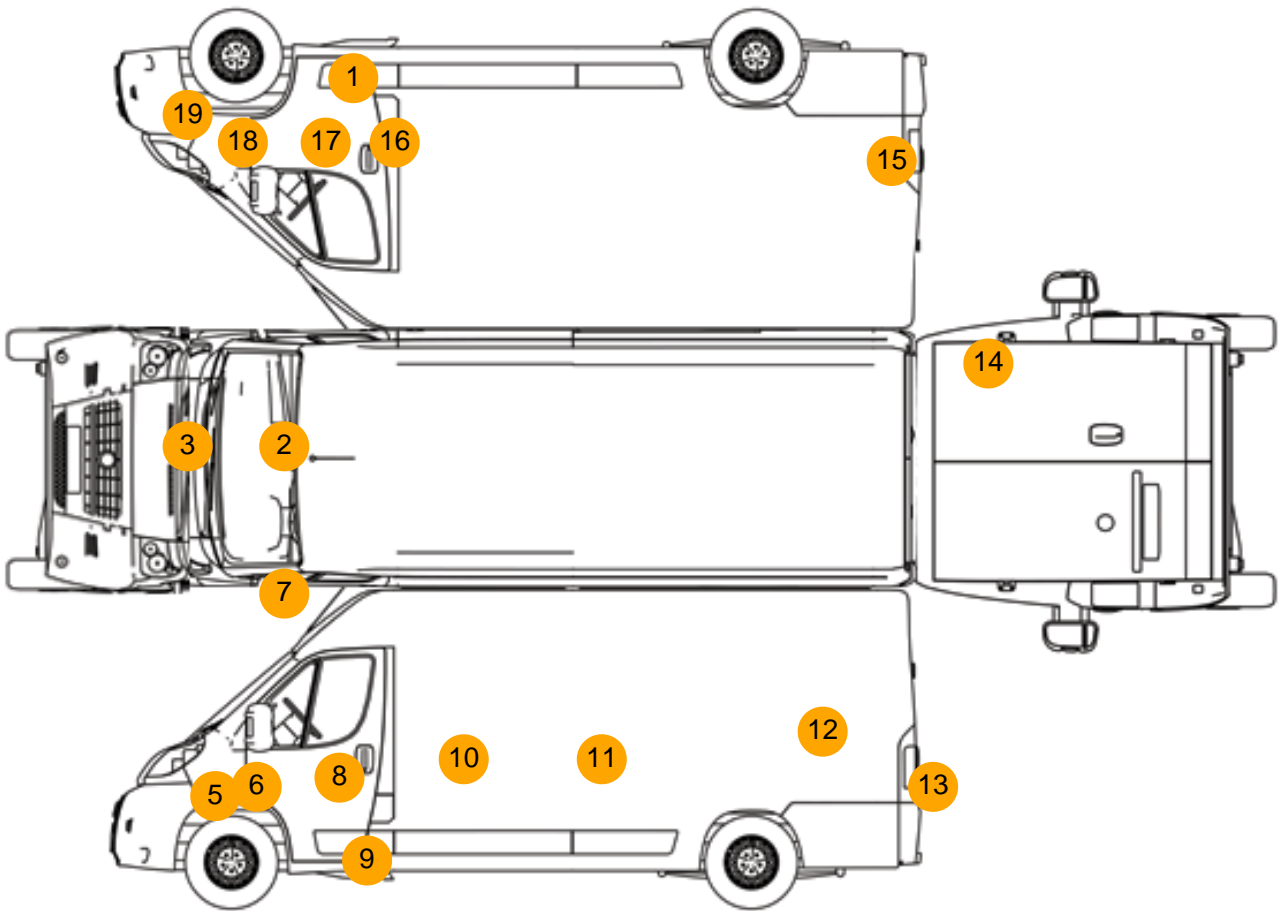
- Park assist camera
- Drivers airbag
- Radio/CD
- Passenger airbag
- Air conditioning
- Central locking
- Front electric windows
- Cloth seat trim

Photos





Condition Check



Damage Photos



1: Sill os
Dented
Over 30mm

2: Screen Front
Chipped
Over 10mm



3: Bonnet
Chipped
Multiple Chips

4: Number Plate Front
Missing
Replace



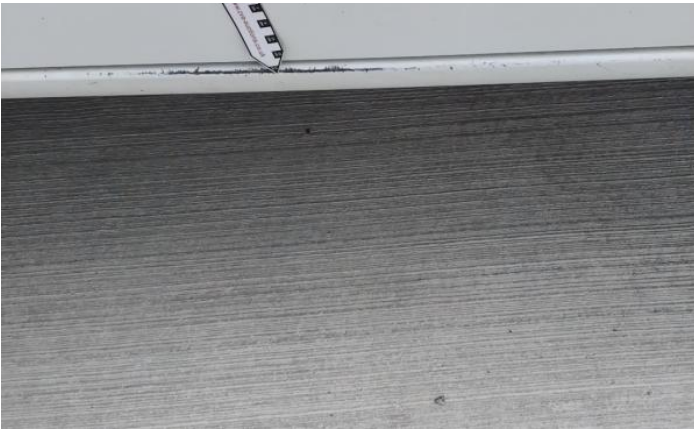
5: Bumper Front
Insecure
Action Required

6: Wing nsf
Dented
Over 30mm



7: A Post ns
Rusted
Over 5mm

8: Door nsf
Scratched
Up To 25mm Thru Paint



9: Sill ns
Scratched
Over 25mm Thru Paint

10: Qtr Panel nsr
Scratched
Rusted



11: Qtr Panel nsr
Dented
With Paint Damage

12: Qtr Panel nsr
Scratched
Over 25mm Thru Paint



13: Panel Rear
Cracked
Replace

14: Panel Rear
Scratched
Over 25mm Thru Paint



15: Qtr Panel osr
Scratched
Over 25mm Thru Paint

16: Door osf
Dented
With Paint Damage



17: Door osf
Scratched
Rusted

18: Wing osf
Dented
With Paint Damage



19: Bumper Front
Insecure
Action Required

20: In Car Entertainment
Missing
Replace



21: Centre Console Front
Holed
Over 3mm

22: Dash Warning Lights
Displayed
No Action



23: Fascia Trim
Missing
Replace

Interior

Carpet Condition	Average	Upholstery Condition	Average
Seat Condition	Average	Odour	-
Engine Runs	OK	Gearbox 1st and Reverse Test	OK
Brakes	OK	Gearbox Static Gear Selection (engine running)	OK
Parking Brake	OK	No Excessive Smoking	Fault
EML light illuminated	OK		
ABS light illuminated	Fault		