



COMMERCIAL VEHICLE AUCTIONS LTD
THE UK'S MOST ESTABLISHED COMMERCIAL VEHICLE AUCTIONEERS

Carr Hill Industrial Estate
Doncaster
DN4 8DE

01302 732600 | cva.noreply@cva-auctions.co.uk

VEHICLE INSPECTION REPORT

WX17LPF

Isuzu D-Max 2.5TD Extended Cab 4x4

Inspection

Serious Damage? No

Vehicle

VAT Plus VAT

V5 Buyer To Apply

Details

Reg. date	01/08/2017	Colour	WHITE	CAP Average	£5,425.00
Year	2017	VIN	MPATFS86JFT034151	CAP Below	£4,025.00
Mileage	74,233 Miles Warranted	Body Style	Pickup Single Cab	Gearbox	MANUAL
Fuel Type	Diesel	MOT Due	23/07/2026	Gears	6
GVW	3050kg	CAP Clean	£6,500.00	Axle Combi	4x4

CHARGING FAULT-ALTERNATOR ISSUES, TOW BAR, V5 REFERENCE NUMBER AVAILABLE FOR TAXATION PURPOSES

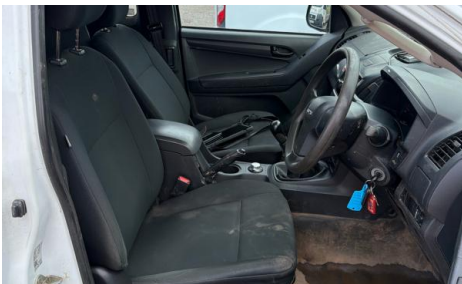
Tyres

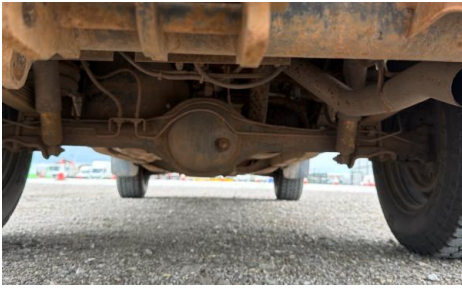
NSF
NSR
OSF
OSR
Spare

Features

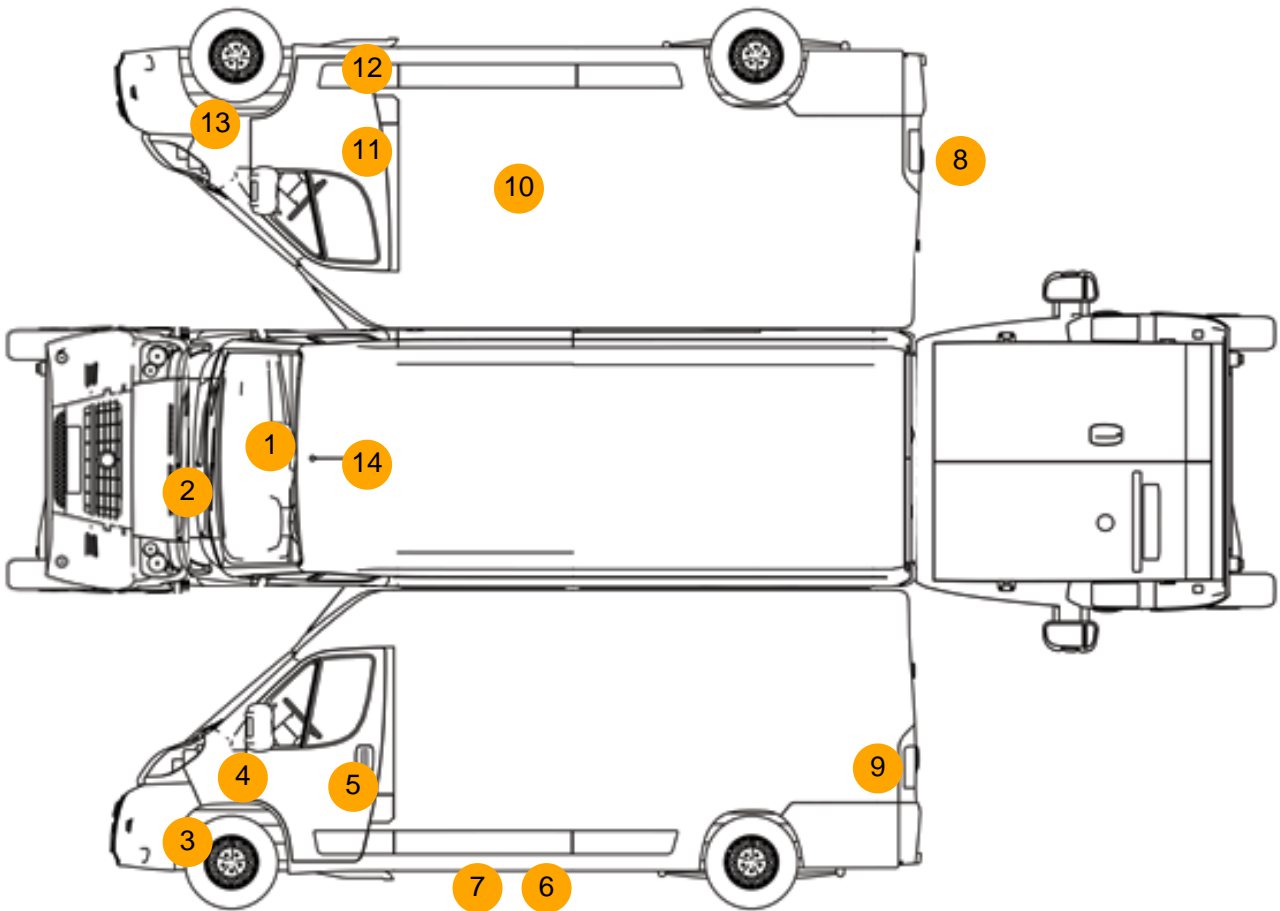
- Park assist camera
- Air conditioning
- Front electric windows
- Drivers airbag
- Passenger airbag
- Central locking
- Cloth seat trim

Photos





Condition Check



Damage Photos



1: Screen Front
Cracked
Replace



2: Bonnet
Chipped
Multiple Chips



3: Bumper Front
Scratched
Over 100mm Thru Paint

4: Wing nsf
Scratched
Rusted



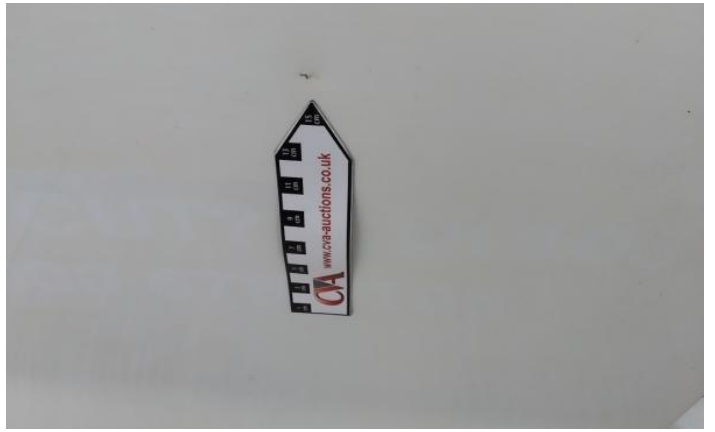
5: Door nsf
Chipped
Multiple Chips

6: Sill ns
Dented
With Paint Damage



7: Sill ns
Dented
Between 10mm + 30mm

8: Panel Rear
Cracked
Replace



9: Qtr Panel nsr
Scratched
UpTo 25mm Thru Paint

10: Qtr Panel osr
Dented
With Paint Damage



11: Door osf
Chipped
Multiple Chips

12: Sill os
Scratched
Over 25mm Thru Paint



13: Wing osf
Rusted
UpTo 5mm

14: Roof
Chipped
Multiple Chips



15: In Car Entertainment
Missing
Replace

16: Fascia Trim
Damaged
Replace



17: Fascia Trim
Missing
Replace

Interior

Carpet Condition
Seat Condition

Average
Average

Upholstery Condition
Odour

Average
-

Engine Runs **Fault**