



COMMERCIAL VEHICLE AUCTIONS LTD
THE UK'S MOST ESTABLISHED COMMERCIAL VEHICLE AUCTIONEERS

Carr Hill Industrial Estate
Doncaster
DN4 8DE

01302 732600 | cva.noreply@cva-auctions.co.uk

VEHICLE INSPECTION REPORT

WJ64WKC

Land Rover Defender 2.2 TDCI 110PS

Inspection		Vehicle	
Serious Damage?	No	VAT	Plus VAT
		V5	Buyer To Apply

Details					
Reg. date	11/09/2014	GVW	3050kg	MOT Due	Expired
Year	2014	Colour	WHITE	Gearbox	MANUAL
Mileage	46,262 Miles Warranted	VIN	SALLDHTP7FA457703	Gears	6
Fuel Type	Diesel	Body Style	Access Platform	Axle Combi	4x4

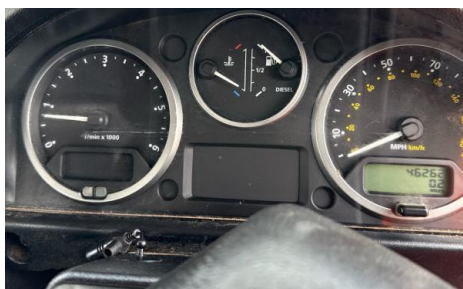
HEAVY CLUTCH, WARNING LIGHTS ON DASH CPL SOGAGE A314 PLATFORM, WINCH, V5 NEW KEEPER DOCUMENT REFERENCE NUMBER AVAILABLE FOR TAXATION PURPOSES

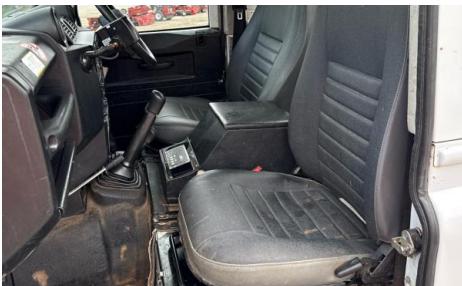
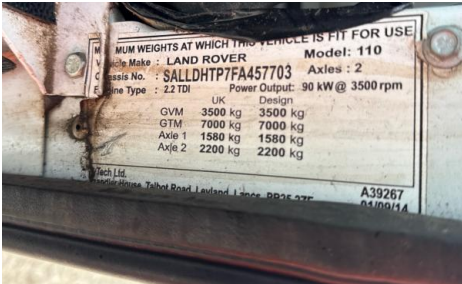
Tyres
NSF
NSR
OSF
OSR
Spare

Features

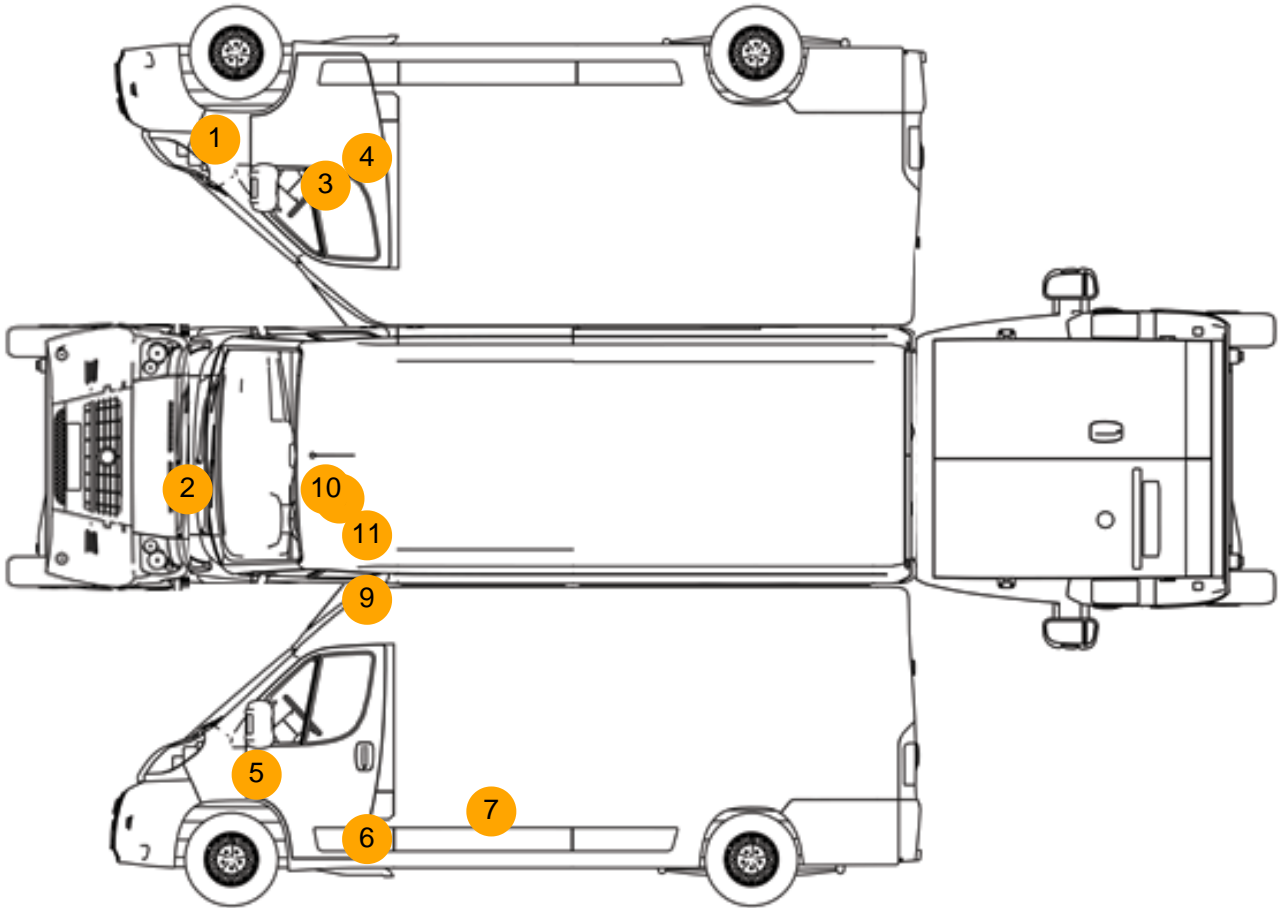
- Park assist camera
- Front electric windows

Photos





Condition Check



Damage Photos



1: Wing of
Dented
With Paint Damage



2: Bonnet
Dented
With Paint Damage



3: Door osf
Dented
With Paint Damage

4: Door Moulding osf
Scratched (Painted)
Over 25mm Thru Paint



5: Wing nsf
Scratched
Over 25mm Thru Paint

6: Door nsf
Scratched
UpTo 25mm Thru Paint



7: Qtr Panel nsr
Dented
With Paint Damage

8: Roof
Scratched
UpTo 25mm Thru Paint



9: Roof
Scratched
UpTo 25mm Thru Paint

10: Roof
Dented
Over 2 UpTo 10mm



11: Roof
Dented
Between 10mm + 30mm

12: Roof
Dented
Over 2 UpTo 10mm

Interior

Carpet Condition
Seat Condition

Average
Poor

Upholstery Condition
Odour

Average
No

EML light illuminated Fault