



COMMERCIAL VEHICLE AUCTIONS LTD
THE UK'S MOST ESTABLISHED COMMERCIAL VEHICLE AUCTIONEERS

Carr Hill Industrial Estate
Doncaster
DN4 8DE

01302 732600 | cva.noreply@cva-auctions.co.uk

VEHICLE INSPECTION REPORT

CU65EOT

Ford Transit 350 2.2 TDCi 155ps

Inspection		Vehicle	
Serious Damage?	No	VAT	Plus VAT
		V5	Buyer To Apply

Details

Reg. date	26/02/2016	Colour	WHITE	CAP Average	£3,275.00
Year	2016	VIN	WFOXXXTTGXFM07427	CAP Below	£2,375.00
Mileage	81,990 Miles Warranted	Body Style	Panel Van L2	Gearbox	MANUAL
Fuel Type	Diesel	MOT Due	Expired	Gears	6
GVW	3500kg	CAP Clean	£4,000.00		

COLLECTED AS NON RUNNER - ENGINE ISSUES SIDE LOAD DOOR, TOW BAR, RACKING, DEADLOCKS, FUSEBOX, 240V OUTLETS, MICROWAVE, NEW KEEPER DOCUMENT REFERENCE NUMBER AVAILABLE FOR TAXATION PURPOSES.

Tyres

NSF
NSR
OSF
OSR
Spare

Features

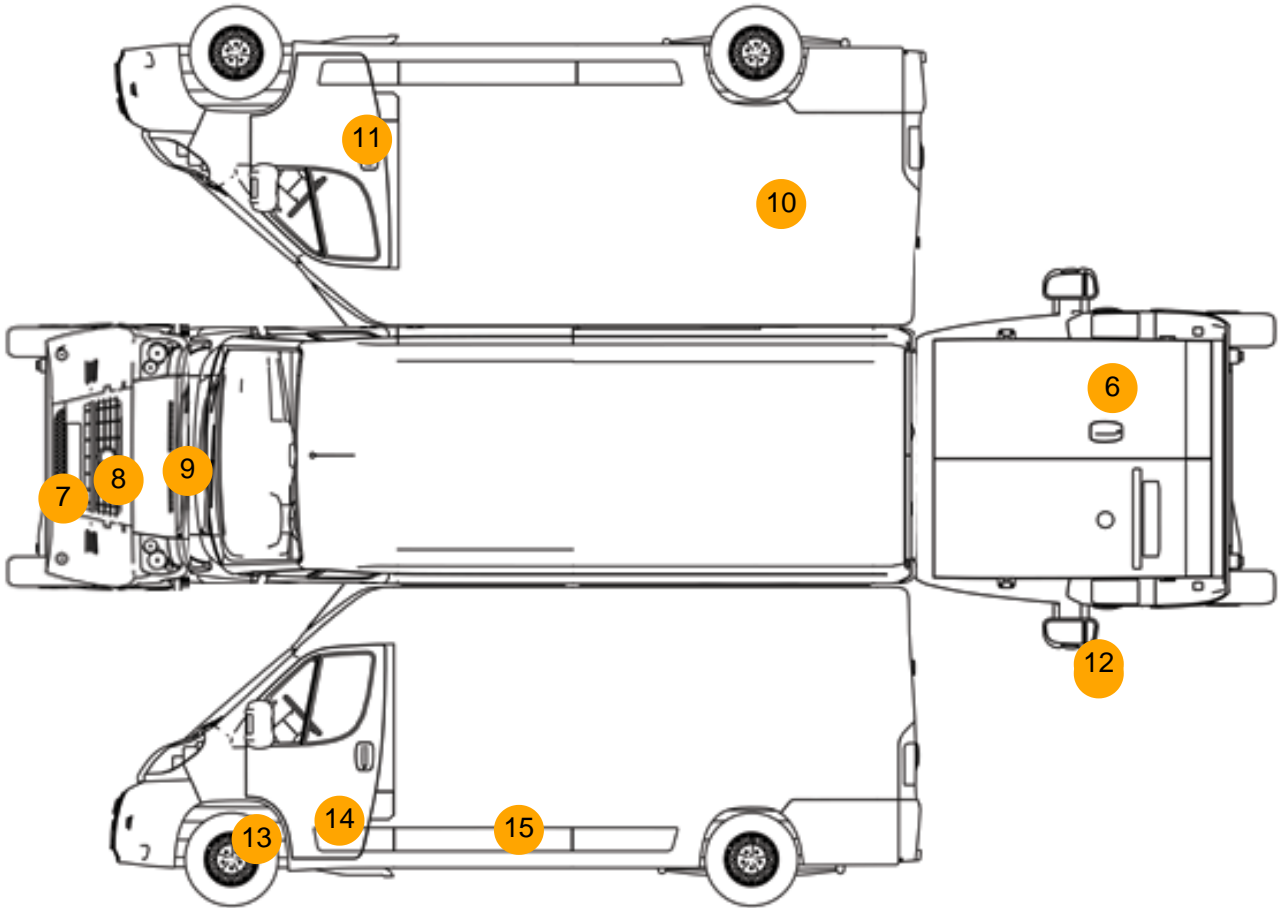
- Digital radio
- Front electric windows
- Central locking

Photos





Condition Check



Damage Photos



1: Wing nsf
Dented
With Paint Damage

2: Door Mirror Glass ns
Missing
Replace



3: Door nsf
Dented
With Paint Damage

4: Door nsr
Dented
With Paint Damage



5: Panel Rear
Scratched
UpTo 25mm Not Thru Paint

6: Door osr
Dented
With Paint Damage



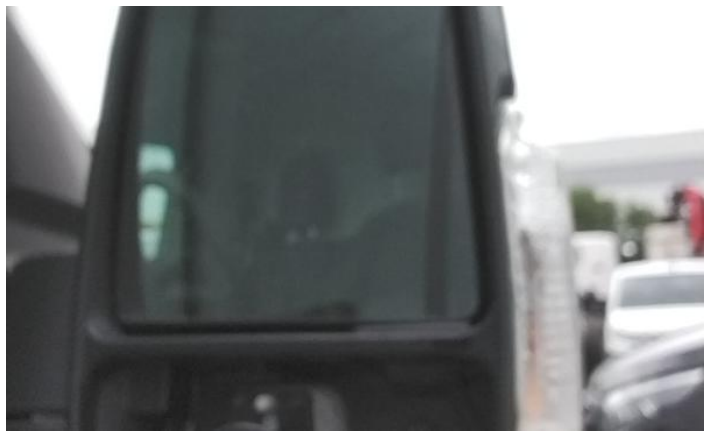
7: Bumper Front
Dented
Between 10mm + 30mm

8: Grille Front
Scuffed (Unpainted)
UpTo 100mm



9: Bonnet
Chipped
Multiple Chips

10: Panel Rear
Dented
With Paint Damage



11: Door osf
Dented
With Paint Damage

12: Door Mirror Glass os
Missing
Replace



13: Wing osf
Dented
With Paint Damage

14: Door nsf
Dented
With Paint Damage



15: Door nsr
Dented
With Paint Damage

Interior

Carpet Condition	Average	Upholstery Condition	Average
Seat Condition	Average	Odour	No
EML light illuminated	OK	Oil warning light illuminated	OK
Airbag light illuminated	OK	DPF light illuminated	OK
ABS light illuminated	OK	Service indicator light illuminated	OK
Windows	OK	Radio	OK
		Steering	OK