



COMMERCIAL VEHICLE AUCTIONS LTD
THE UK'S MOST ESTABLISHED COMMERCIAL VEHICLE AUCTIONEERS

Carr Hill Industrial Estate
Doncaster
DN4 8DE

01302 732600 | cva.noreply@cva-auctions.co.uk

VEHICLE INSPECTION REPORT

RK69ZTH

Iveco Eurocargo 75-150

Inspection

Serious Damage? No

Vehicle

VAT Plus VAT

V5 To Follow

Details

Reg. date	28/10/2019	Colour	WHITE	Gearbox	AUTOMATIC
Year	2019	VIN	ZCFA775B002692244	Axle Combi	4x2
Mileage	108,725 Km Warranted	Body Style	Box Van	Rear Suspension	Steel
Fuel Type	Diesel	MOT Due	31/12/2026	Rear Doors	Roller
GVW	7500kg	Cab Type	DAY CAB	Tail Lift	Column

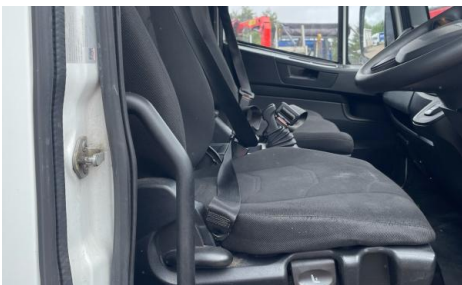
Tyres

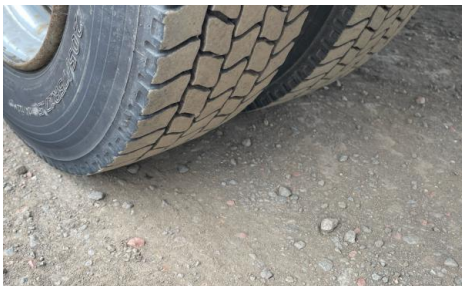
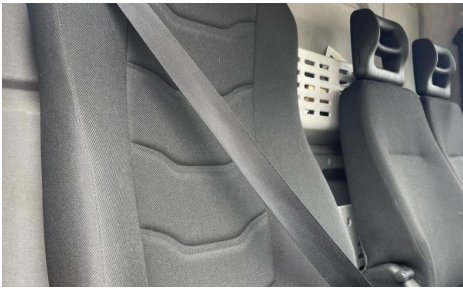
NSF	NSI1	NSI2	NSI3	NSI4
OSF	OSI1	OSI2	OSI3	OSI4
Spare	NSO1	NSO2	NSO3	NSO4
	OSO1	OSO2	OSO3	OSO4

Features

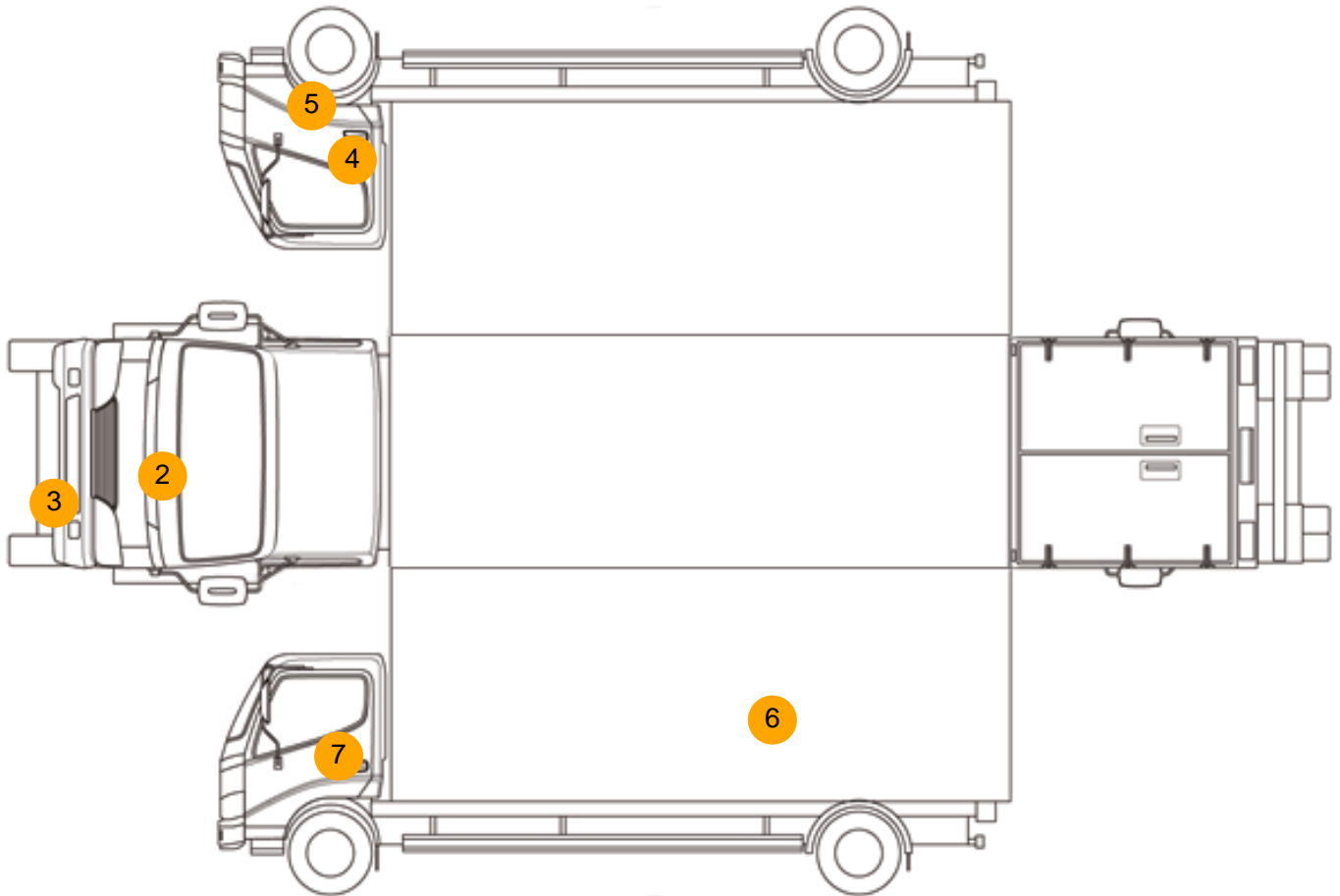
- Radio/CD

Photos





Condition Check



Damage Photos



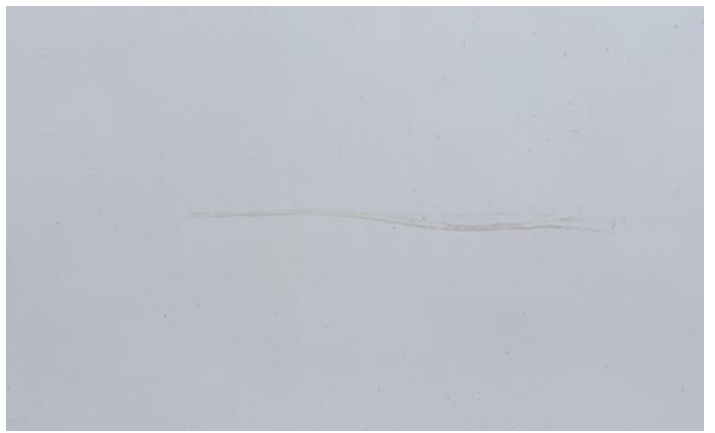
1: Carpets Front
Torn
Over 10mm

2: Bonnet
Chipped
1 To 5



3: Bumper Front Moulding
Scuffed (Unpainted)
Over 100mm

4: Door osf
Dented
With Paint Damage



5: Door Moulding osf
Scuffed (Unpainted)
Over 100mm

6: Qtr Panel nsr
Scratched
Over 25mm Thru Paint



7: Door nsf
Dented
Over 30mm

Interior

Carpet Condition	Average	Upholstery Condition	Average
Seat Condition	Average	Odour	-
Engine Runs	OK	Gearbox 1st and Reverse Test	OK
Brakes	OK	Clutch Slip Test from Static	OK
Turbo Boosting	OK	Gearbox Static Gear Selection (engine running)	OK
Parking Brake	OK	No Excessive Smoking	OK
EML light illuminated	OK	Oil warning light illuminated	OK
Airbag light illuminated	OK	DPF light illuminated	OK
ABS light illuminated	OK	Service indicator light illuminated	OK
Windows	OK	Radio	OK
		Steering	OK