



**COMMERCIAL VEHICLE AUCTIONS LTD**  
THE UK'S MOST ESTABLISHED COMMERCIAL VEHICLE AUCTIONEERS

Carr Hill Industrial Estate  
Doncaster  
DN4 8DE

01302 732600 | cva.noreply@cva-auctions.co.uk

# VEHICLE INSPECTION REPORT

**MV75OYG**

## Renault Traffic SL30 Blue dCi 130PS

Inspection		Vehicle	
Serious Damage?	No	VAT	Plus VAT
		V5	Present

Details					
Reg. date	30/09/2025	Colour	WHITE	CAP Average	£19,100.00
Year	2025	VIN	VF1FL000674624761	CAP Below	£17,200.00
Mileage	8,832 Miles Not Warranted	Body Style	Panel Van SWB	Gearbox	MANUAL
Fuel Type	Diesel	MOT Due	29/09/2028	Gears	6
GVW	3010kg	CAP Clean	£19,850.00		

SIDE LOAD DOOR, AD-BLUE, E/MIRRORS.

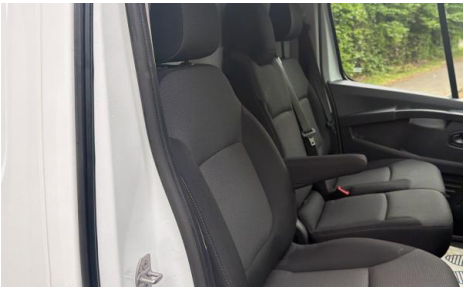
Tyres
NSF
NSR
OSF
OSR
Spare

## Features

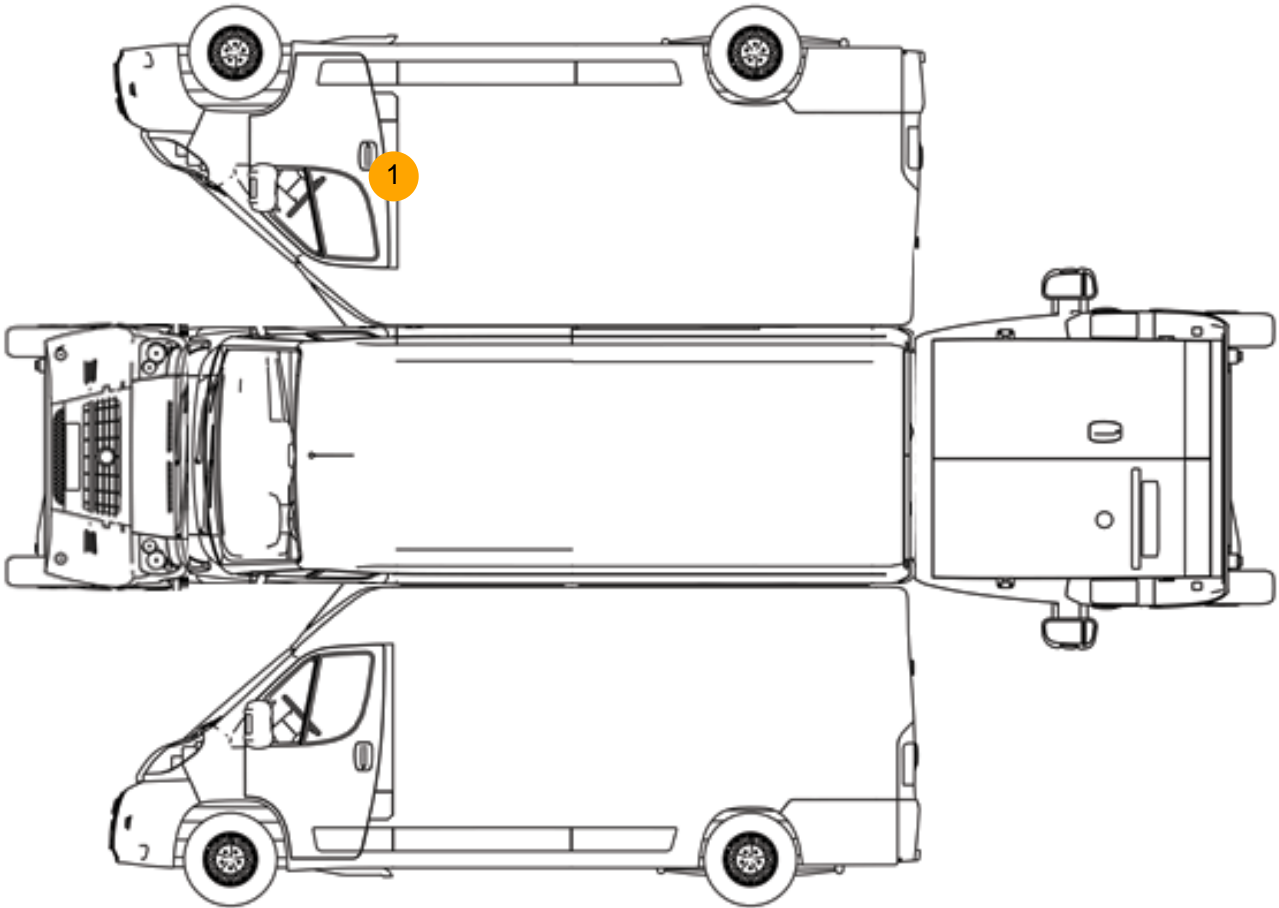
- Rear parking sensor
- Radio/CD
- Air conditioning
- Front electric windows
- Central locking

## Photos





## Condition Check



## Damage Photos



1: Door Mirror Assy osf  
Scratched (Painted)  
UpTo 25mm Not Thru Paint

## Interior

**Carpet Condition**      OK  
**Seat Condition**        OK

**Upholstery Condition**    OK  
**Odour**                        -

Engine Runs	OK	Gearbox 1st and Reverse Test	OK
Brakes	OK	Clutch Slip Test from Static	OK
Turbo Boosting	OK	Gearbox Static Gear Selection (engine running)	OK
Parking Brake	OK	No Excessive Smoking	OK
EML light illuminated	OK	Oil warning light illuminated	OK
Airbag light illuminated	OK	DPF light illuminated	OK
ABS light illuminated	OK	Service indicator light illuminated	OK
Roof / sunroof	OK	Radio	OK
Windows	OK	Steering	OK
Sat nav	OK		