



COMMERCIAL VEHICLE AUCTIONS LTD
THE UK'S MOST ESTABLISHED COMMERCIAL VEHICLE AUCTIONEERS

Carr Hill Industrial Estate
Doncaster
DN4 8DE

01302 732600 | cva.noreply@cva-auctions.co.uk

VEHICLE INSPECTION REPORT

MV75OYP

Renault Trafic SL30 Blue dCi 130PS

Inspection

Serious Damage? No

Vehicle

VAT Plus VAT

V5 Present

Details

Reg. date	27/11/2025	Colour	WHITE	CAP Average	£20,400.00
Year	2025	VIN	VF1FL000174950600	CAP Below	£18,300.00
Mileage	2,884 Miles Not Warranted	Body Style	Panel Van SWB	Gearbox	MANUAL
Fuel Type	Diesel	MOT Due	26/11/2028	Gears	6
GVW	3010kg	CAP Clean	£21,200.00		

SIDE LOAD DOOR, E/MIRRORS, AD-BLUE.

Tyres

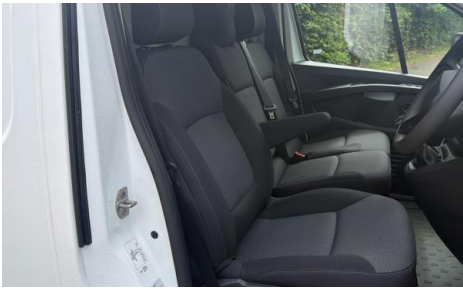
NSF
NSR
OSF
OSR
Spare

Features

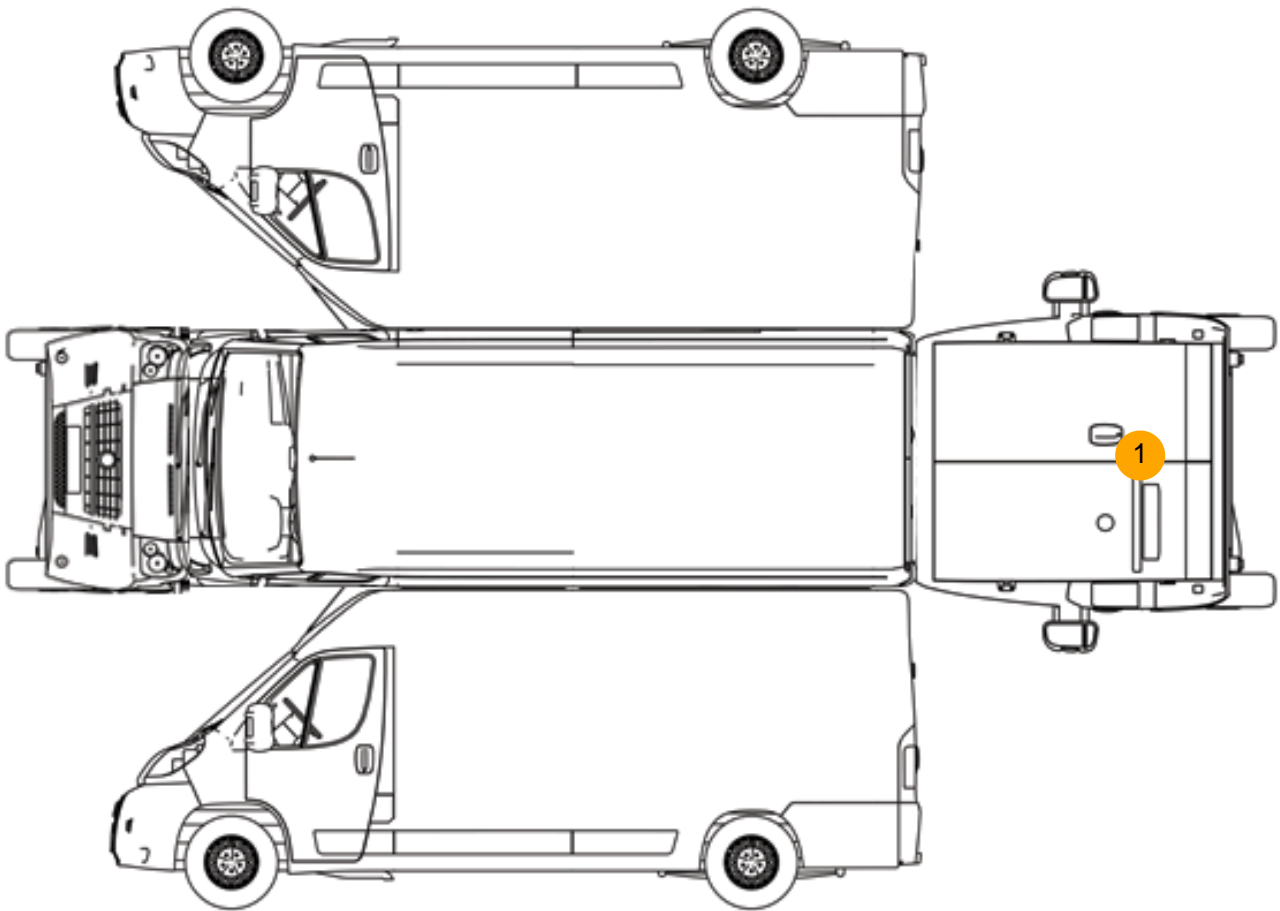
- Rear parking sensor
- Radio/CD
- Air conditioning
- Front electric windows
- Central locking

Photos





Condition Check



Damage Photos



1: Door osr
Chipped
Over 5mm

Interior

Carpet Condition OK
Seat Condition OK

Upholstery Condition OK
Odour No

Engine Runs	OK	Gearbox 1st and Reverse Test	OK
Brakes	OK	Clutch Slip Test from Static	OK
Turbo Boosting	OK	Gearbox Static Gear Selection (engine running)	OK
Parking Brake	OK	No Excessive Smoking	OK
EML light illuminated	OK	Oil warning light illuminated	OK
Airbag light illuminated	OK	DPF light illuminated	OK
ABS light illuminated	OK	Service indicator light illuminated	OK
Roof / sunroof	OK	Radio	OK
Windows	OK	Steering	OK
Sat nav	OK		