



COMMERCIAL VEHICLE AUCTIONS LTD
THE UK'S MOST ESTABLISHED COMMERCIAL VEHICLE AUCTIONEERS

Carr Hill Industrial Estate
Doncaster
DN4 8DE

01302 732600 | cva.noreply@cva-auctions.co.uk

VEHICLE INSPECTION REPORT

HN74TGV

Ford Transit Custom 300 2.0 EcoBlue 136ps Limited

Inspection

Serious Damage? No

Vehicle

VAT Plus VAT

V5 Buyer To Apply

Details

Reg. date	30/09/2024	Colour	SILVER	CAP Average	£22,600.00
Year	2024	VIN	WFORXXTA0RRB16310	CAP Below	£19,850.00
Mileage	6,879 Miles Not Warranted	Body Style	Panel Van L2	Gearbox	MANUAL
Fuel Type	Diesel	MOT Due	29/09/2027	Gears	6
GVW	3025kg	CAP Clean	£23,950.00		

OUTSTANDING RECALL SIDE LOAD DOOR, E/MIRRORS, AD-BLUE

Tyres

NSF
NSR
OSF
OSR
Spare

Features

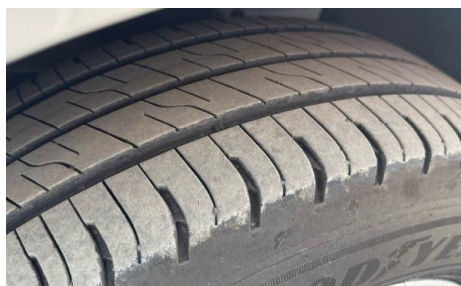
- Bluetooth connection
- Park assist camera
- Front electric windows
- Central locking
- Cruise control
- Rear parking sensor
- Metallic Paint
- Cloth seat trim
- Front parking sensor
- Digital radio
- Drivers airbag
- Heated front seat
- Air conditioning
- Passenger airbag

Photos



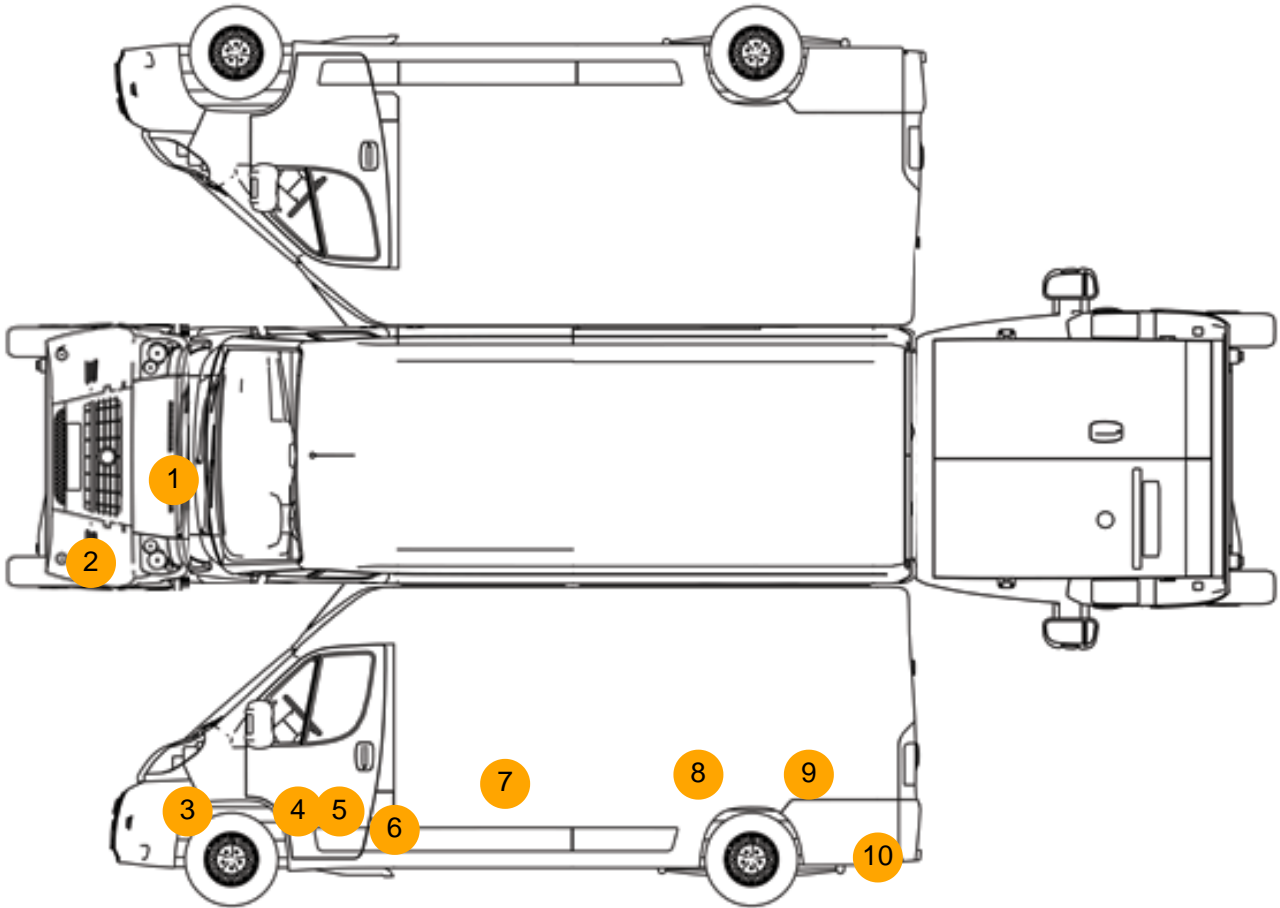


FORD	
e6*2018/858*00182	
BIFA	*WFORXXTA0RRB16310*
0.50	3025 kg
	5825 kg
	1600 kg
	1700 kg
W(mm) L(mm)	
C 3500	NRM





Condition Check



Damage Photos



1: Bonnet
Chipped
Multiple Chips

2: Bumper Front
Scratched
25 to 100mm Thru Paint



3: Bumper Front
Scratched
Over 100mm Thru Paint

4: Door nsf
Scratched
Over 25mm Thru Paint



5: Door nsf
Scratched
Over 25mm Thru Paint

6: Fuel Flap
Scratched
Over 25mm Thru Paint



7: Qtr Panel nsr
Scratched
Over 25mm Thru Paint

8: Qtr Panel osr
Scratched
Over 25mm Thru Paint



9: Qtr Panel nsr
 Scratched
 Over 25mm Thru Paint

10: Qtr Panel Moulding ns
 Scratched (Painted)
 Over 25mm Thru Paint

Interior

Carpet Condition OK
Seat Condition OK

Upholstery Condition OK
Odour No

Engine Runs	OK	No Excessive Smoking	OK
EML light illuminated	OK	DPF light illuminated	OK
ABS light illuminated	OK		