



**COMMERCIAL VEHICLE AUCTIONS LTD**  
THE UK'S MOST ESTABLISHED COMMERCIAL VEHICLE AUCTIONEERS

Carr Hill Industrial Estate  
Doncaster  
DN4 8DE

01302 732600 | cva.noreply@cva-auctions.co.uk

# VEHICLE INSPECTION REPORT

**ML20TVX**

## Ford Transit Custom 340 2.0 ECOBLUE 130PS LIMITED

Inspection		Vehicle	
Serious Damage?	No	VAT	Plus VAT
		V5	To Follow

Details			
Reg. date	05/06/2020	Colour	WHITE
Year	2020	VIN	WF0YXXTTGYLB74210
Mileage	201,870 Miles Warranted	Body Style	Panel Van L1
Fuel Type	Diesel	MOT Due	Expired
GVW	3400kg	CAP Clean	£4,325.00
		CAP Average	£3,800.00
		CAP Below	£3,025.00
		Gearbox	MANUAL
		Gears	6
		Axle Combi	4x2

\*COLLECTED AS NON-RUNNER - NEEDS NEW ENGINE\*, SIDE LOAD DOOR, E/MIRRORS, HEATED WINDSCREEN,

Tyres
NSF
NSR
OSF
OSR
Spare

## Features

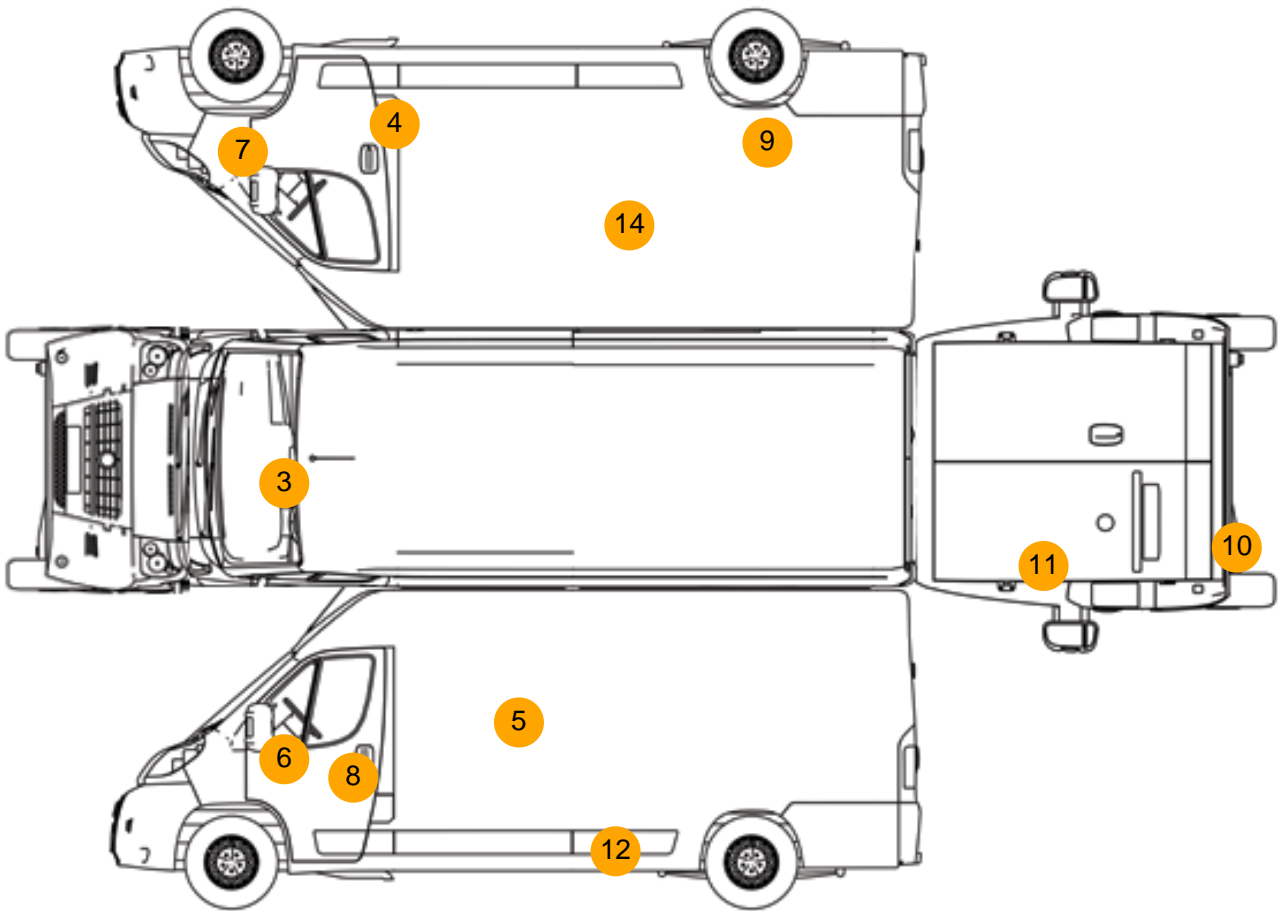
- Bluetooth connection
- Rear parking sensor
- Front electric windows
- Cloth seat trim
- Cruise control
- Digital radio
- Drivers airbag
- Front parking sensor
- Mobile phone App interface
- Passenger airbag
- Heated front seat
- Air conditioning
- Central locking

## Photos





## Condition Check



## Damage Photos



1: Fascia Trim  
Missing  
Replace



2: Carpets Front  
Holed  
Over 3mm



3: Screen Front  
Chipped  
Over 10mm

4: Fuel Flap  
Missing  
Replace



5: Handle Outer nsf  
Scratched (Painted)  
UpTo 25mm Thru Paint

6: Door Mirror Assy nsf  
Scratched (Painted)  
UpTo 25mm Thru Paint



7: Bumper Front  
Chipped  
Over 5mm

8: Handle Outer osf  
Scratched (Painted)  
UpTo 25mm Thru Paint



9: Qtr Panel osr  
Chipped  
Multiple Chips

10: Bumper Front  
Chipped  
Over 5mm



11: Door osr  
Dented  
Over 30mm

12: Qtr Panel Moulding ns  
Broken  
Replace



13: Centre Console Front  
Broken  
Replace

14: Qtr Panel osr  
Dented  
2 Or Less Up To 10mm

## Interior

<b>Carpet Condition</b>	Average	<b>Upholstery Condition</b>	Average
<b>Seat Condition</b>	Average	<b>Odour</b>	-
Engine Runs	OK	Gearbox 1st and Reverse Test	OK
Brakes	OK	Gearbox Static Gear Selection (engine running)	OK
		No Excessive Smoking	OK
EML light illuminated	OK	DPF light illuminated	OK
ABS light illuminated	OK		