



COMMERCIAL VEHICLE AUCTIONS LTD
THE UK'S MOST ESTABLISHED COMMERCIAL VEHICLE AUCTIONEERS

Carr Hill Industrial Estate
Doncaster
DN4 8DE

01302 732600 | cva.noreply@cva-auctions.co.uk

VEHICLE INSPECTION REPORT

MC74DYA

Maxus Deliver 9 2.0 D20 150PS

Inspection

Serious Damage? No

Vehicle

VAT Plus VAT

V5 Present

Details

Reg. date 20/12/2024

Year 2024

Mileage 41,165 Miles Not Warranted

Fuel Type Diesel

GVW 3500kg

Colour WHITE

VIN LSH14J7C7RA072321

Body Style Panel Van LWB

MOT Due 19/12/2027

CAP Clean £12,400.00

CAP Average £11,700.00

CAP Below £10,300.00

Gearbox MANUAL

Gears 6

AD BLUE, SIDE LOADING DOOR

Tyres

NSF

NSR

OSF

OSR

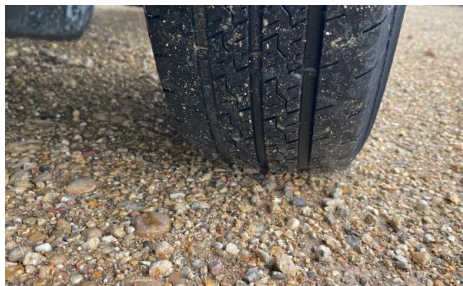
Spare

Features

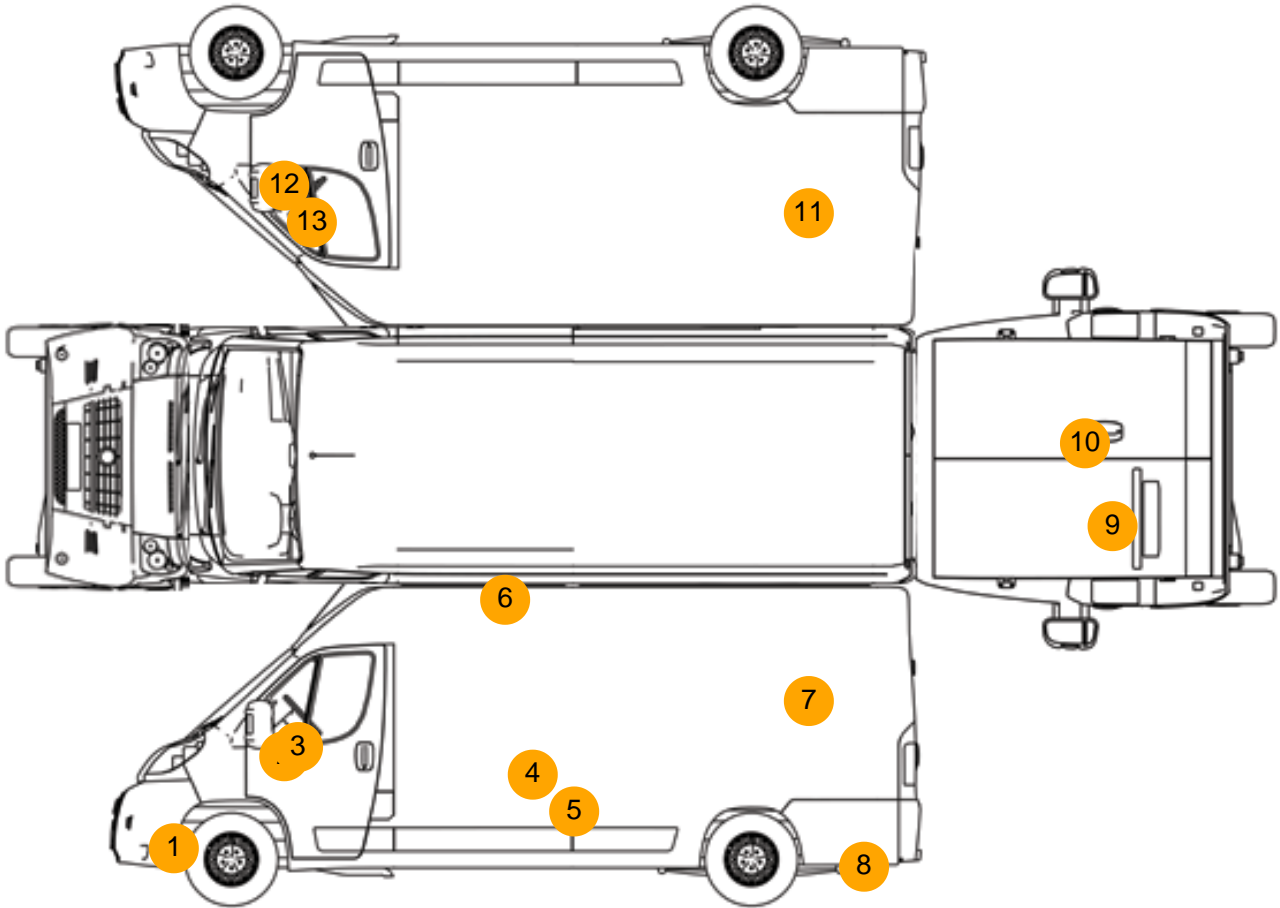
- Park assist camera
- Rear parking sensor
- Air conditioning
- Front electric windows

Photos





Condition Check



Damage Photos



1: Bumper Front Moulding
Scuffed (Unpainted)
Over 100mm

2: Door Mirror Assy nsf
Scuffed (Unpainted)
Over 100mm



3: Flasher Side Repeater ns
Broken
Replace

4: Door nsr
Scratched
Over 25mm Not Thru Paint



5: Door nsr
Dented
Over 30mm

6: Roof
Dented
Between 10mm + 30mm



7: Qtr Panel nsr
Scratched
Over 25mm Not Thru Paint

8: Qtr Panel Moulding ns
Scuffed (Unpainted)
Over 100mm



9: Door nsr
Dented
With Paint Damage



10: Door osr
Dented
Over 30mm



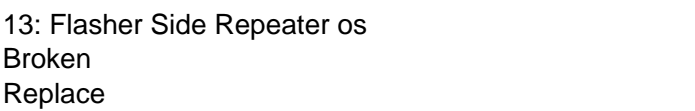
11: Qtr Panel osr
Dented
With Paint Damage



12: Door Mirror Assy osf
Scuffed (Unpainted)
Over 100mm



13: Flasher Side Repeater os
Broken
Replace



14: Seat Base Cover osf
Holed
Over 3mm

Interior

Carpet Condition	Average	Upholstery Condition	Average
Seat Condition	Average	Odour	No
Engine Runs	OK	Gearbox 1st and Reverse Test	OK
Brakes	OK	Clutch Slip Test from Static	OK
Parking Brake	OK	Gearbox Static Gear Selection (engine running)	OK
		No Excessive Smoking	OK
EML light illuminated	OK	Oil warning light illuminated	OK
Airbag light illuminated	OK	DPF light illuminated	OK
ABS light illuminated	OK	Service indicator light illuminated	OK