



**COMMERCIAL VEHICLE AUCTIONS LTD**  
THE UK'S MOST ESTABLISHED COMMERCIAL VEHICLE AUCTIONEERS

Carr Hill Industrial Estate  
Doncaster  
DN4 8DE

01302 732600 | cva.noreply@cva-auctions.co.uk

# VEHICLE INSPECTION REPORT

**MC74DYB**

## Maxus Deliver 9 2.0 D20 150PS

### Inspection

Serious Damage? No

### Vehicle

VAT Plus VAT

V5 Present

### Details

Reg. date 20/12/2024

Year 2024

Mileage 55,737 Miles Not Warranted

Fuel Type Diesel

GVW 3500kg

Colour WHITE

VIN LSH14J7C7RA072836

Body Style Panel Van LWB

MOT Due 19/12/2027

CAP Clean £11,350.00

CAP Average £10,700.00

CAP Below £9,450.00

Gearbox MANUAL

Gears 6

AD-BLUE, SIDE LOADING DOOR

### Tyres

NSF

NSR

OSF

OSR

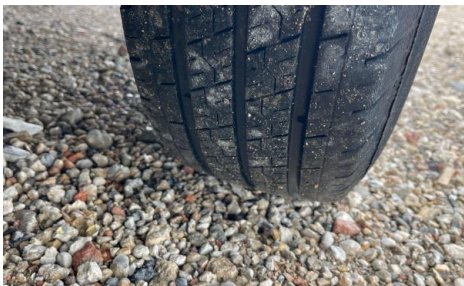
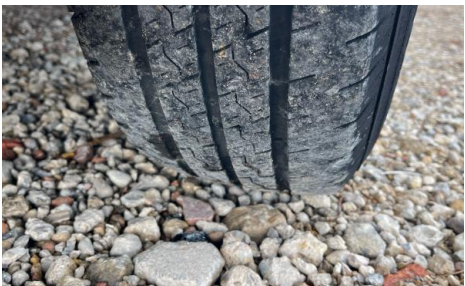
Spare

## Features

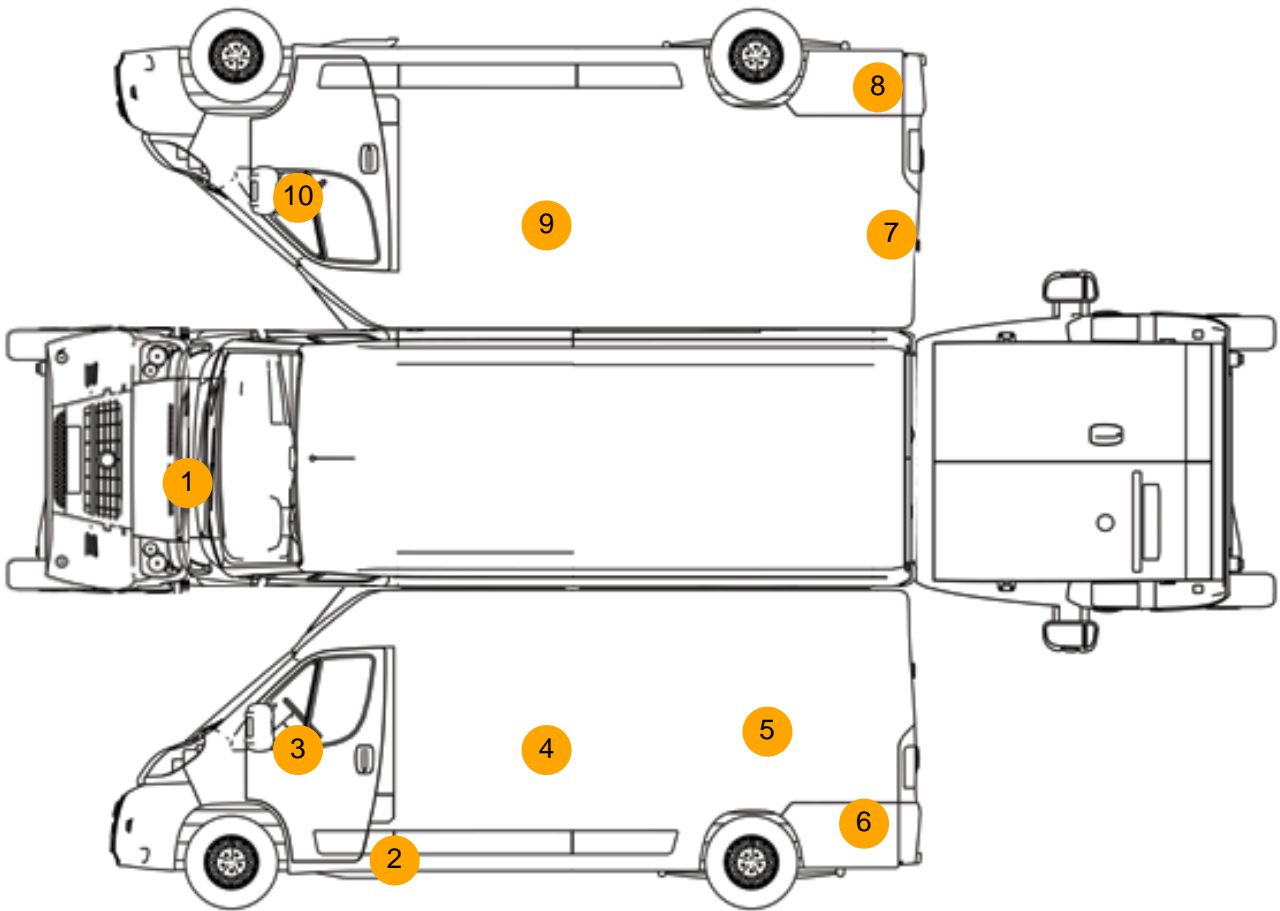
- Front parking sensor
- Park assist camera
- Rear parking sensor
- Air conditioning
- Front electric windows

## Photos





## Condition Check



## Damage Photos



1: Bonnet  
Chipped  
1 To 5

2: Sill ns  
Dented  
With Paint Damage



3: Door Mirror Assy nsf  
Scuffed (Unpainted)  
Over 100mm

4: Door nsr  
Dented  
Over 2 UpTo 10mm



5: Qtr Panel nsr  
Scratched  
Over 25mm Not Thru Paint

6: Qtr Panel Moulding ns  
Scuffed (Unpainted)  
Over 100mm



7: Qtr Panel osr  
Dented  
With Paint Damage

8: Qtr Panel Moulding os  
Scuffed (Unpainted)  
UpTo 100mm



9: Qtr Panel osr  
Dented  
Over 30mm

10: Door Mirror Assy osf  
Scuffed (Unpainted)  
UpTo 100mm



11: Seat Base Cover osf  
Holed  
Over 3mm

**Interior**

Carpet Condition	Average	Upholstery Condition	Average
Seat Condition	Average	Odour	No
Engine Runs	OK	Gearbox 1st and Reverse Test	OK
Brakes	OK	Clutch Slip Test from Static	OK
Parking Brake	OK	Gearbox Static Gear Selection (engine running)	OK
		No Excessive Smoking	OK
EML light illuminated	OK	Oil warning light illuminated	OK
Airbag light illuminated	OK	DPF light illuminated	OK
ABS light illuminated	OK	Service indicator light illuminated	OK