



COMMERCIAL VEHICLE AUCTIONS LTD
THE UK'S MOST ESTABLISHED COMMERCIAL VEHICLE AUCTIONEERS

Carr Hill Industrial Estate
Doncaster
DN4 8DE

01302 732600 | cva.noreply@cva-auctions.co.uk

VEHICLE INSPECTION REPORT

WV24UYS

Maxus Deliver 9 2.0 D20 150PS

Inspection

Serious Damage? No

Vehicle

VAT Plus VAT

V5 Present

Details

Reg. date	21/06/2024	Colour	WHITE	CAP Average	£11,250.00
Year	2024	VIN	LSH14J7C1RA056065	CAP Below	£9,925.00
Mileage	42,187 Miles Not Warranted	Body Style	Panel Van LWB	Gearbox	MANUAL
Fuel Type	Diesel	MOT Due	20/06/2027	Gears	6
GVW	3500kg	CAP Clean	£11,950.00		

WARNING LIGHT ON DASH AD BLUE, SIDE LOADING DOOR

Tyres

NSF

NSR

OSF

OSR

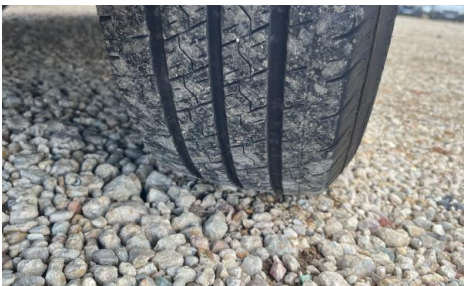
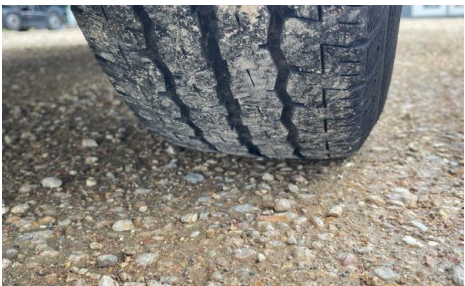
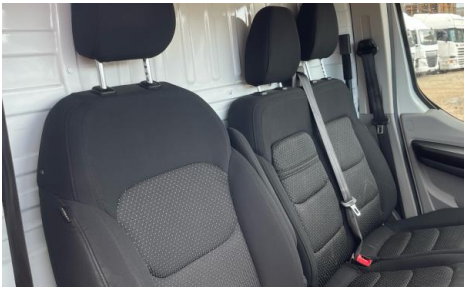
Spare

Features

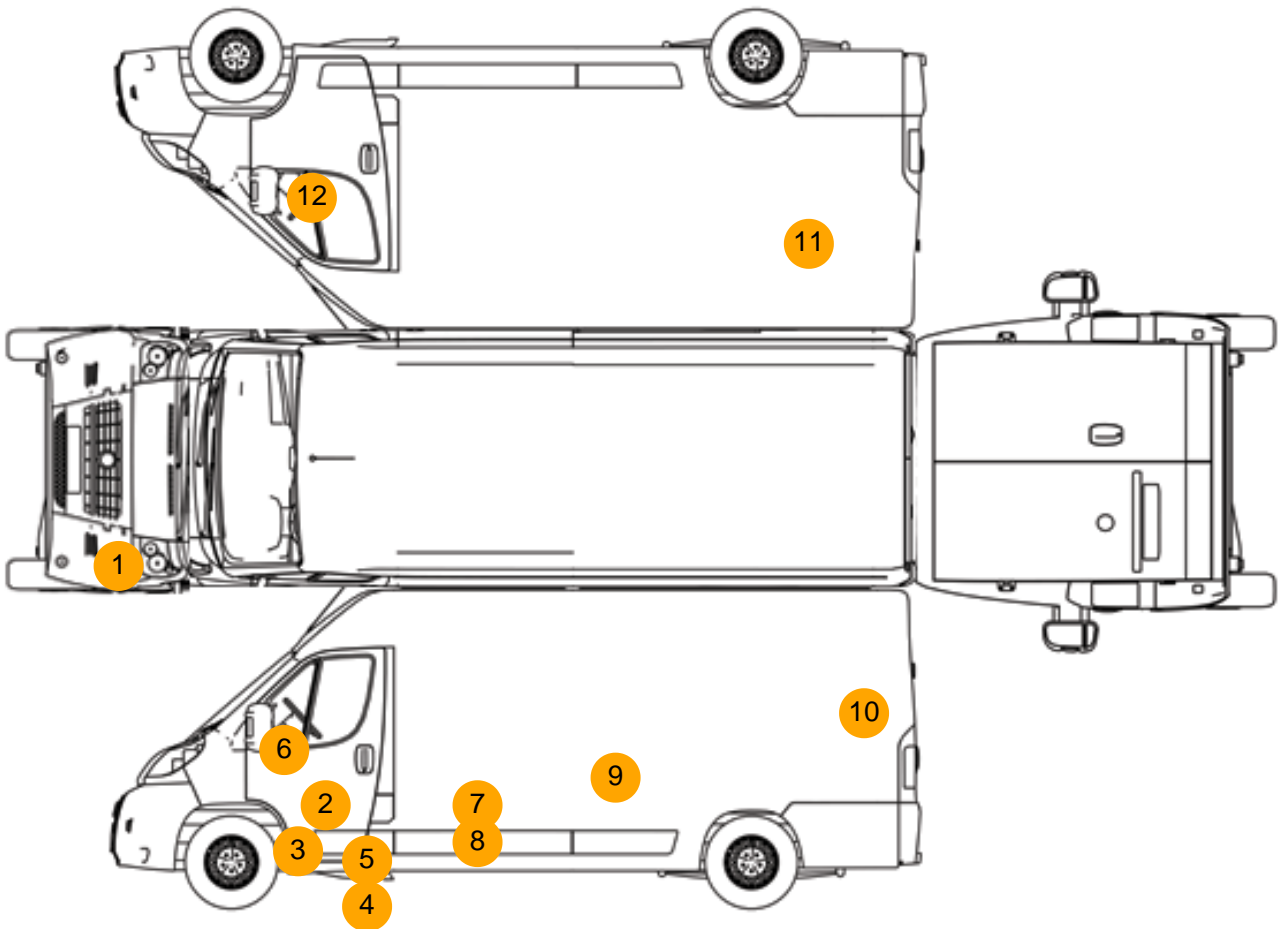
- Park assist camera
- Rear parking sensor
- Air conditioning
- Front electric windows

Photos





Condition Check



Damage Photos



1: Bumper Front
Scratched
Up To 25mm Thru Paint

2: Door nsf
Dented
With Paint Damage



3: Wing Front Arch Extension ns
Scuffed (Unpainted)
Over 100mm

4: Sill ns
Dented
With Paint Damage



5: Door Moulding nsf
Scuffed (Unpainted)
Over 100mm

6: Door Mirror Assy nsf
Scuffed (Unpainted)
Over 100mm



7: Door nsr
Dented
With Paint Damage

8: Door Moulding nsr
Scuffed (Unpainted)
UpTo 100mm



9: Door nsr
Dented
Over 30mm

10: Qtr Panel nsr
Scratched
Over 25mm Not Thru Paint



11: Qtr Panel osr
Scratched
Over 25mm Not Thru Paint

12: Door Mirror Assy osf
Scuffed (Unpainted)
Over 100mm



13: Carpets Front
Holed
Over 3mm

Interior

Carpet Condition	Average	Upholstery Condition	Average
Seat Condition	Average	Odour	No
Engine Runs	OK	Gearbox 1st and Reverse Test	OK
Brakes	OK	Clutch Slip Test from Static	OK
Parking Brake	OK	Gearbox Static Gear Selection (engine running)	OK
		No Excessive Smoking	OK
EML light illuminated	Fault	Oil warning light illuminated	OK
Airbag light illuminated	OK	DPF light illuminated	Fault
ABS light illuminated	OK	Service indicator light illuminated	OK