



COMMERCIAL VEHICLE AUCTIONS LTD
THE UK'S MOST ESTABLISHED COMMERCIAL VEHICLE AUCTIONEERS

Carr Hill Industrial Estate
Doncaster
DN4 8DE

01302 732600 | cva.noreply@cva-auctions.co.uk

VEHICLE INSPECTION REPORT

NV19JYB

Iveco Eurocargo 75-160

Inspection

Serious Damage? No

Vehicle

VAT Plus VAT

V5 Present

Details

Reg. date 07/05/2019

Year 2019

Mileage 164,308 Km Not Warranted

Fuel Type Diesel

GVW 7500kg

Colour WHITE

VIN ZCFA775B102691040

Body Style Tipper

MOT Due 31/08/2026

Cab Type DAY CAB

Gearbox MANUAL

Axle Combi 4x2

Rear Suspension Steel

WARNING LIGHTS ON DASH, BRIT-TIPP STEEL BODY, BINOTTO TIPPING GEAR

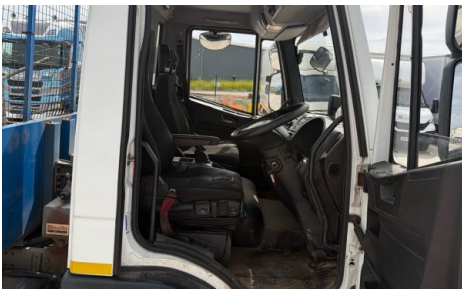
Tyres

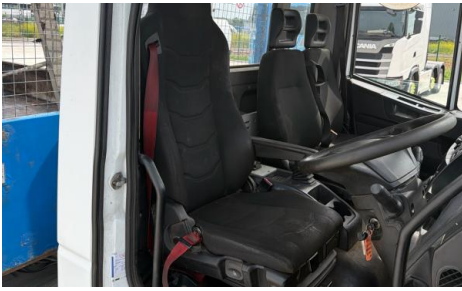
NSF	NSI1	NSI2	NSI3	NSI4
OSF	OSI1	OSI2	OSI3	OSI4
Spare	NSO1	NSO2	NSO3	NSO4
	OSO1	OSO2	OSO3	OSO4

Features

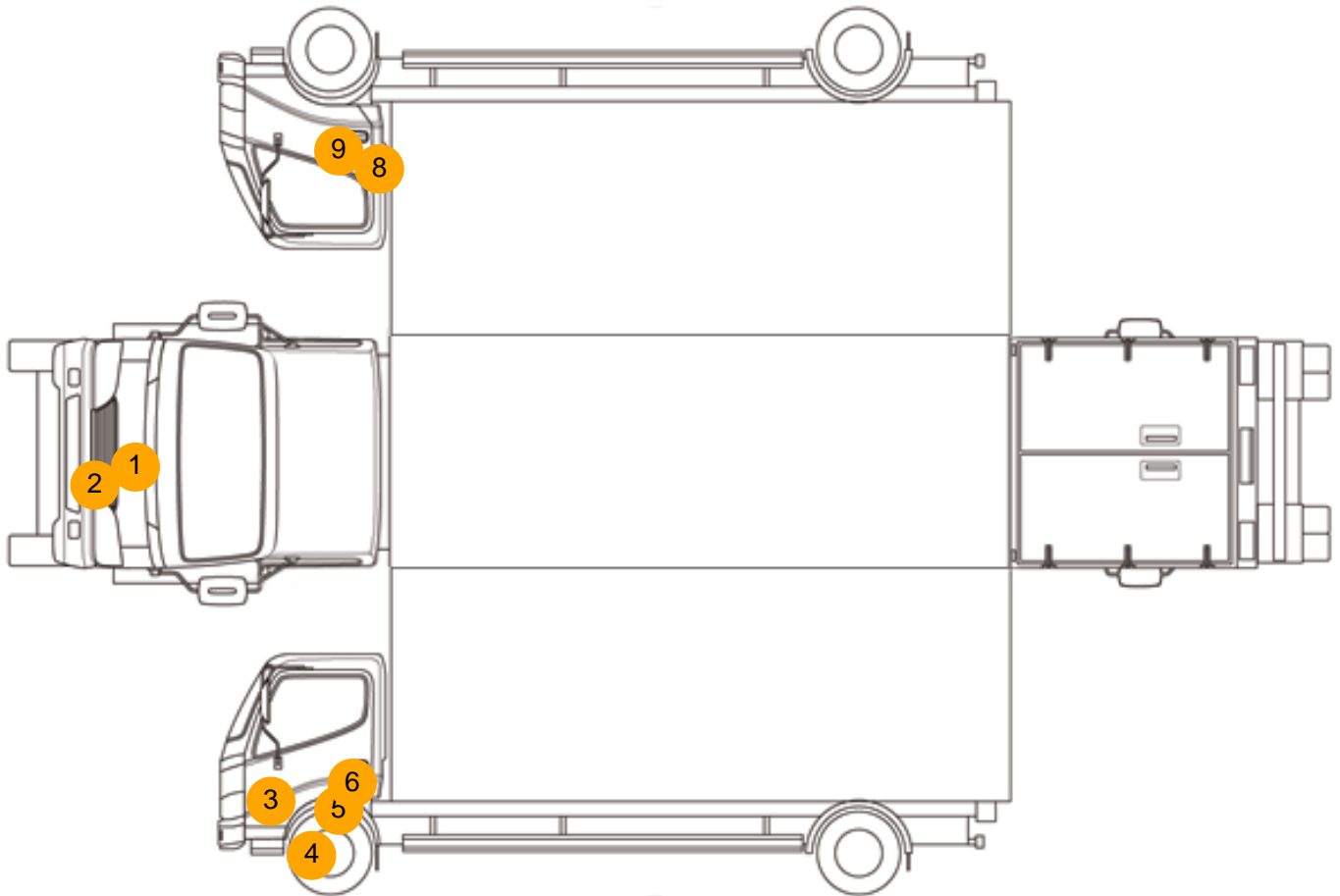
- Radio/CD
- Front electric windows
- Cloth seat trim

Photos





Condition Check



Damage Photos



1: Bonnet
Chipped
Multiple Chips

2: Bumper Front
Rusted
Over 5mm



3: Moulding nsf Wing
Scratched (Painted)
Over 25mm Thru Paint

4: Door nsf
Scratched
Over 25mm Thru Paint



5: Door nsf
Scratched
Over 25mm Thru Paint

6: Door nsf
Scratched
Over 25mm Thru Paint



7: Door osf
Scratched
Over 25mm Thru Paint

8: Door nsf
Chipped
Multiple Chips



9: Door osf
Scratched
Over 25mm Thru Paint

10: Carpets Front
Soiled
Heavy



11: Dash Warning Lights
Displayed
No Action

Interior

Carpet Condition	Poor	Upholstery Condition	Average
Seat Condition	Average	Odour	-
Engine Runs	OK	Gearbox 1st and Reverse Test	OK
Brakes	OK	Gearbox Static Gear Selection (engine running)	OK
Parking Brake	OK	No Excessive Smoking	OK
EML light illuminated	Fault		
ABS light illuminated	Fault		