



COMMERCIAL VEHICLE AUCTIONS LTD  
THE UK'S MOST ESTABLISHED COMMERCIAL VEHICLE AUCTIONEERS

Carr Hill Industrial Estate  
Doncaster  
DN4 8DE

01302 732600 | cva.noreply@cva-auctions.co.uk

# VEHICLE INSPECTION REPORT

**PA19AXH**

## Mercedes-Benz Sprinter 316 CDI

| Inspection | Vehicle   |
|------------|-----------|
| VAT        | Plus VAT  |
| V5         | To Follow |

### Details

|           |                            |            |                   |             |           |
|-----------|----------------------------|------------|-------------------|-------------|-----------|
| Reg. date | 27/08/2019                 | Colour     | WHITE             | CAP Average | £6,850.00 |
| Year      | 2019                       | VIN        | WDB9076332P098404 | CAP Below   | £5,375.00 |
| Mileage   | 162,010 Miles<br>Warranted | Body Style | Panel Van L2      | Gearbox     | MANUAL    |
| Fuel Type | Diesel                     | MOT Due    | 15/06/2026        | Gears       | 4         |
| GVW       | 3500kg                     | CAP Clean  | £7,950.00         |             |           |

\*INJECTOR PUMP REQUIRES ATTN\* \*WARNING LIGHT ON DASH\* AD-BLUE, SIDE LOADING DOOR

### Tyres

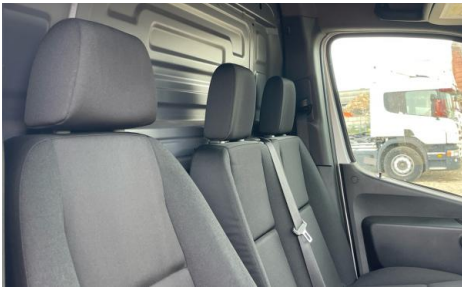
|       |
|-------|
| NSF   |
| NSR   |
| OSF   |
| OSR   |
| Spare |

## Features

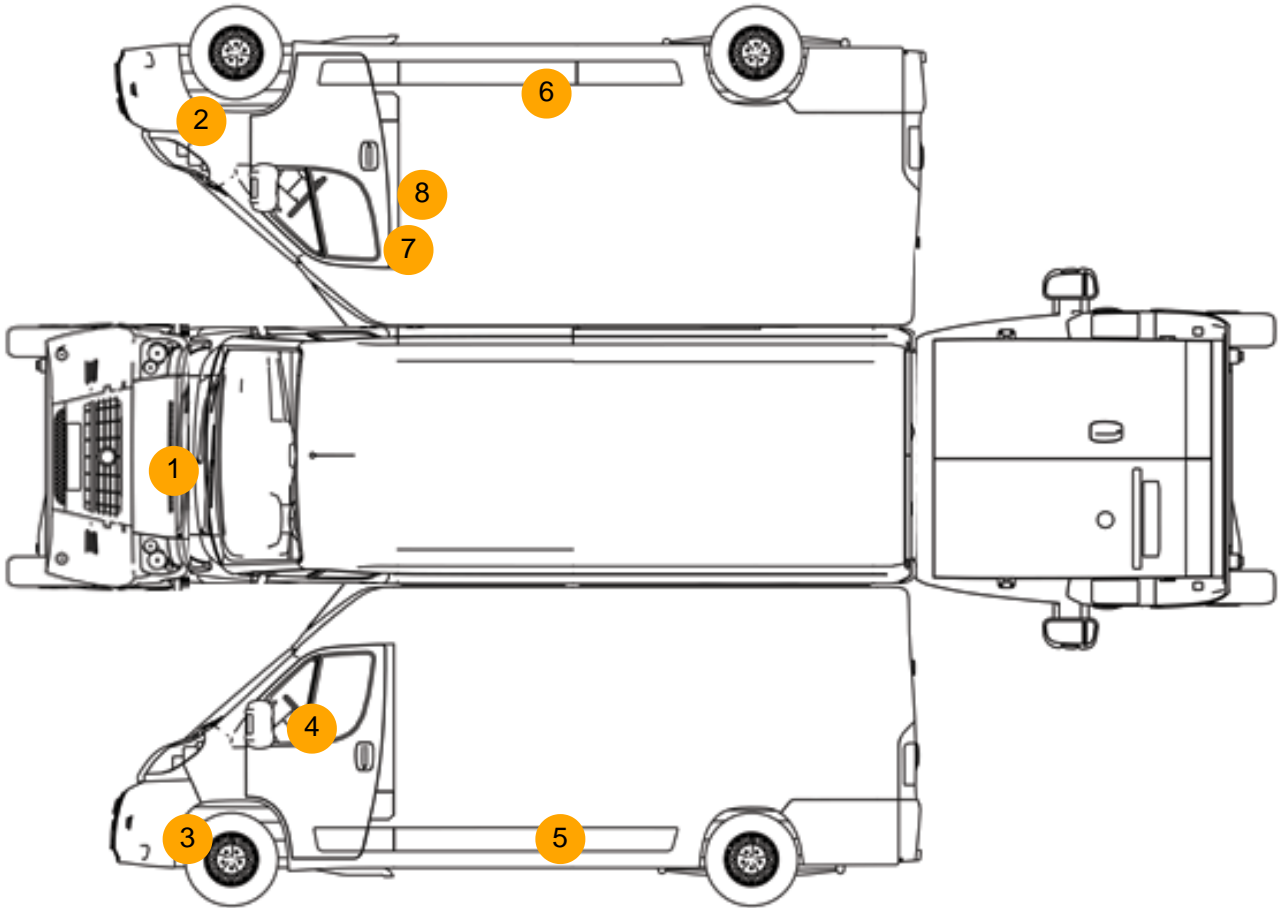
- Park assist camera
- Air conditioning
- Front electric windows

## Photos





## Condition Check



## Damage Photos



1: Bonnet  
Chipped  
Multiple Chips



2: Bumper Front Moulding  
Scuffed (Unpainted)  
Over 100mm



3: Bumper Front Moulding  
Scuffed (Unpainted)  
Over 100mm

4: Door Mirror Assy nsf  
Scuffed (Unpainted)  
UpTo 100mm



5: Door nsr  
Dented  
Over 30mm

6: Qtr Panel osr  
Dented  
Over 30mm



7: B Post os  
Dented  
With Paint Damage

8: Door osf  
Chipped  
Edge Chip

**Interior**

| <b>Carpet Condition</b>  | Average | <b>Upholstery Condition</b>                    | Average |
|--------------------------|---------|--|---------|
| <b>Seat Condition</b>    | Average | <b>Odour</b>                                   | No      |
| Engine Runs              | OK      | Gearbox 1st and Reverse Test                   | OK      |
| Brakes                   | OK      | Clutch Slip Test from Static                   | OK      |
| Parking Brake            | OK      | Gearbox Static Gear Selection (engine running) | OK      |
|                          |         | No Excessive Smoking                           | OK      |
| EML light illuminated    | Fault   | Oil warning light illuminated                  | OK      |
| Airbag light illuminated | OK      | DPF light illuminated                          | OK      |
| ABS light illuminated    | OK      | Service indicator light illuminated            | OK      |