



**COMMERCIAL VEHICLE AUCTIONS LTD**  
THE UK'S MOST ESTABLISHED COMMERCIAL VEHICLE AUCTIONEERS

Carr Hill Industrial Estate  
Doncaster  
DN4 8DE

01302 732600 | cva.noreply@cva-auctions.co.uk

# VEHICLE INSPECTION REPORT

**ST68ELV**

## Ford Transit 2.0 TDCi 105PS

### Inspection

Serious Damage? No

### Vehicle

VAT Plus VAT

V5 To Follow

### Details

Reg. date	26/09/2018	VIN	WF0EXXTTGEJL89142	CAP Average	£5,250.00
Year	2018	Body Style	Tipper Double Cab	CAP Below	£3,975.00
Mileage	103,472 Miles Warranted	Service history	Yes	Gearbox	MANUAL
Fuel Type	Diesel	Service documents	Printout	Gears	6
GVW	3500kg	MOT Due	08/08/2026		
Colour	WHITE	CAP Clean	£6,200.00		

AD-BLUE

### Tyres

NSF

NSR

OSF

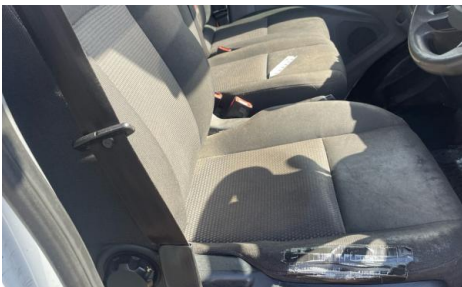
OSR

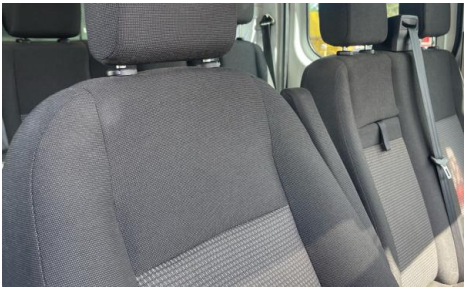
Spare

## Features

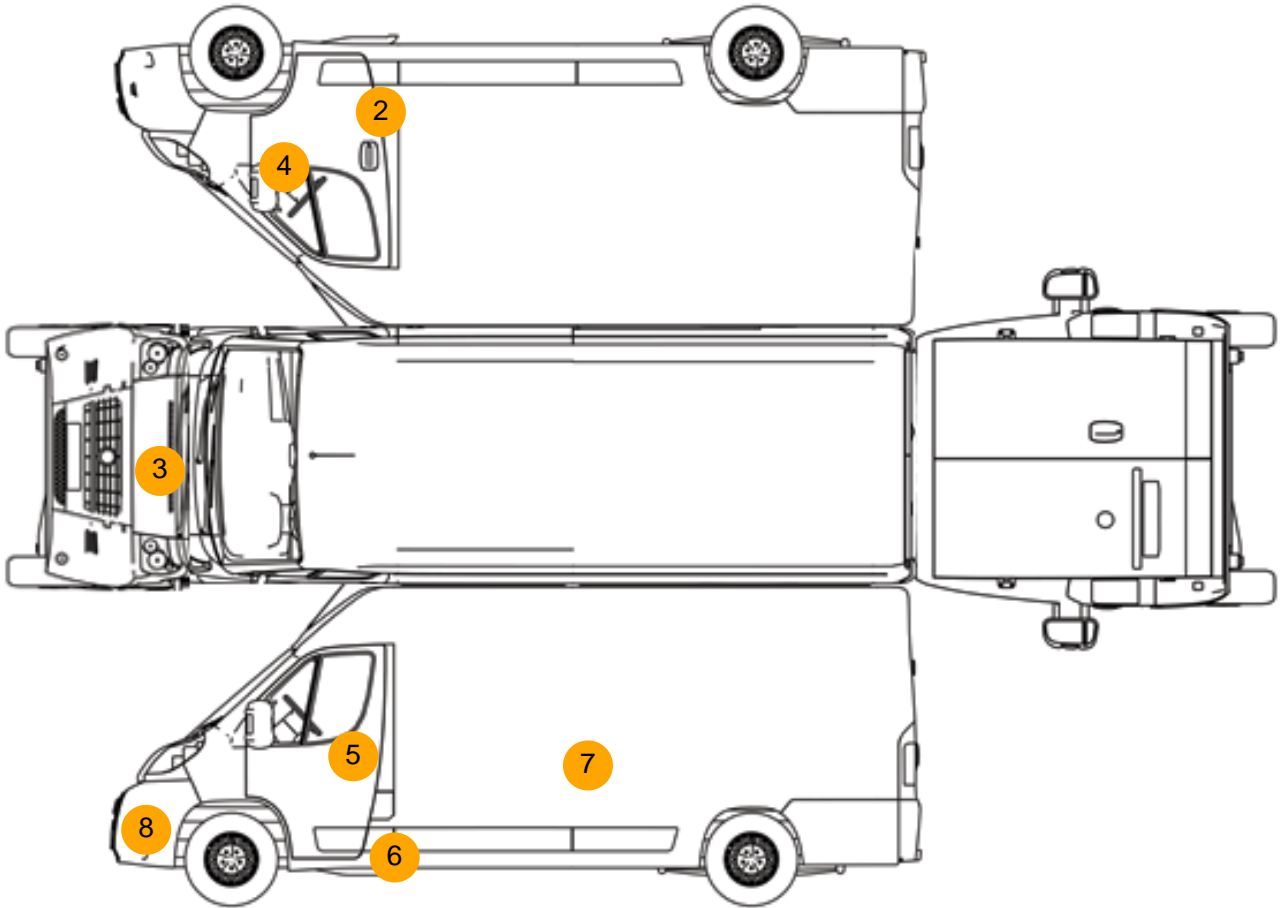
- Radio/CD
- Front electric windows
- Central locking

## Photos





## Condition Check



## Damage Photos



1: Seat Base Cover of  
Torn  
Up To 3mm



2: Sill os  
Rusted  
Over 5mm



3: Bonnet  
Dented  
Over 2 UpTo 10mm

4: Door osf  
Dented  
Over 2 UpTo 10mm



5: Door nsf  
Dented  
With Paint Damage

6: Door Moulding nsf  
Missing  
Replace



7: Door nsr  
Dented  
With Paint Damage

8: Bumper Front Moulding  
Scuffed (Unpainted)  
Over 100mm

## Interior

<b>Carpet Condition</b>	Average	<b>Upholstery Condition</b>	Average
<b>Seat Condition</b>	Average	<b>Odour</b>	No
Engine Runs	OK	Gearbox 1st and Reverse Test	OK
Brakes	OK	Clutch Slip Test from Static	OK
Turbo Boosting	OK	Gearbox Static Gear Selection (engine running)	OK
Parking Brake	OK	No Excessive Smoking	OK
EML light illuminated	OK	Oil warning light illuminated	OK
Airbag light illuminated	OK	DPF light illuminated	OK
ABS light illuminated	OK	Service indicator light illuminated	OK
Windows	OK	Radio	OK
		Steering	OK