



COMMERCIAL VEHICLE AUCTIONS LTD
THE UK'S MOST ESTABLISHED COMMERCIAL VEHICLE AUCTIONEERS

Carr Hill Industrial Estate
Doncaster
DN4 8DE

01302 732600 | cva.noreply@cva-auctions.co.uk

VEHICLE INSPECTION REPORT

SP63HYN

Ford Transit 300 TDCi 100PS

Inspection

Serious Damage? No

Vehicle

VAT Plus VAT

V5 Present

Details

Reg. date 30/09/2013

Year 2013

Mileage 134,186 Miles
Warranted

Fuel Type Diesel

GVW 3025kg

Colour WHITE

VIN WF0XXXTTFXDP39786

Body Style Panel Van MWB

Service history Yes

Service documents Printout

MOT Due 20/10/2026

CAP Clean £1,150.00

CAP Average £900.00

CAP Below £600.00

Gearbox MANUAL

Gears 6

SIDE LOAD DOOR.

Tyres

NSF

NSR

OSF

OSR

Spare

Features

- Radio/CD
- Front electric windows
- Central locking

Photos

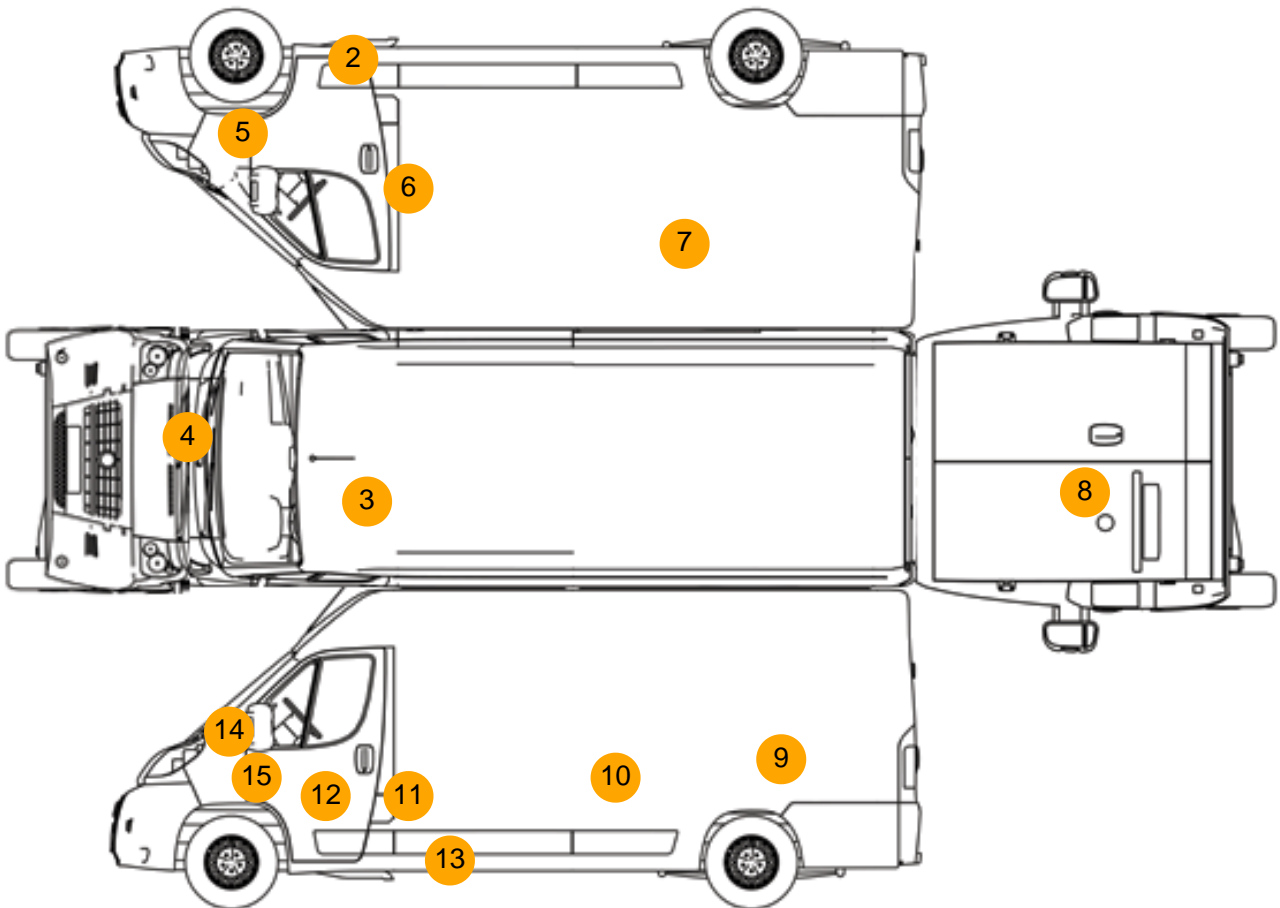




FORD		
DRFB	e1x2007/46x0244	
0.53	xWFOXXXITFXDP39786x	
4CP	B	3025 kg
3G	R	5225 kg
AA	F	1600 kg
V6		1760 kg
Ford		
W(mm)	L(mm)	a(mm)
N 3300	FAF6	



Condition Check



Damage Photos



1: Carpets Front
Torn
Over 10mm

2: Sill os
Poor Previous Repair
Poor Colour



3: Roof
Rusted
Over 5mm

4: Bonnet
Rusted
Over 5mm



5: Door osf
Rusted
Over 5mm

6: B Post os
Rusted
Over 5mm



7: Qtr Panel osr
Rusted
Over 5mm

8: Tailgate
Dented
With Paint Damage



9: Qtr Panel nsr
Dented
With Paint Damage

10: Door nsr
Dented
With Paint Damage



11: B Post ns
Rusted
Over 5mm

12: Door nsf
Dented
With Paint Damage



13: Sill ns
Rusted
Over 5mm

14: Door Mirror Assy nsf
Missing
Replace



15: Wing nsf
Rusted
Over 5mm

Interior

Carpet Condition	Average	Upholstery Condition	Average
Seat Condition	Average	Odour	No
Engine Runs	OK	Gearbox 1st and Reverse Test	OK
Brakes	OK	Clutch Slip Test from Static	OK
Turbo Boosting	OK	Gearbox Static Gear Selection (engine running)	OK
Parking Brake	OK	No Excessive Smoking	OK
EML light illuminated	OK	Oil warning light illuminated	OK
Airbag light illuminated	OK	DPF light illuminated	OK
ABS light illuminated	OK	Service indicator light illuminated	OK
Windows	OK	Radio	OK
		Steering	OK