



COMMERCIAL VEHICLE AUCTIONS LTD
THE UK'S MOST ESTABLISHED COMMERCIAL VEHICLE AUCTIONEERS

Carr Hill Industrial Estate
Doncaster
DN4 8DE

01302 732600 | cva.noreply@cva-auctions.co.uk

VEHICLE INSPECTION REPORT

SP63HZA

Ford Transit 300 2.2TDCi 100ps

Inspection		Vehicle	
Serious Damage?	No	VAT	Plus VAT
		V5	To Follow

Details

Reg. date	30/09/2013	Colour	WHITE	CAP Average	£1,125.00
Year	2013	VIN	WF0XXTTFXDP43422	CAP Below	£730.00
Mileage	79,607 Miles Warranted	Body Style	Panel Van MWB	Gearbox	MANUAL
Fuel Type	Diesel	MOT Due	29/09/2026	Gears	6
GVW	3025kg	CAP Clean	£1,425.00		

SIDE LOAD DOOR, ROOF RACK.

Tyres

NSF
NSR
OSF
OSR
Spare

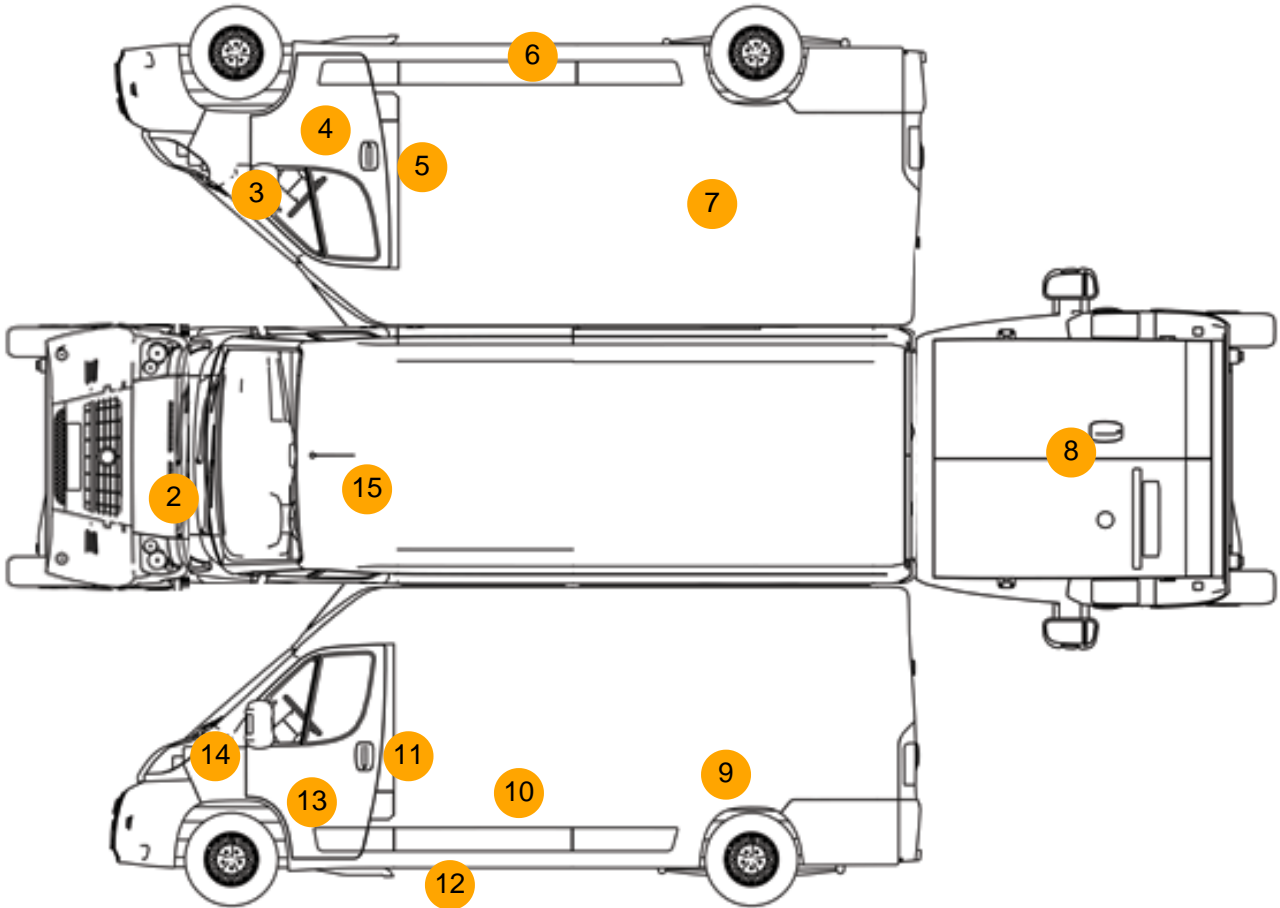
Features

- Radio/CD
- Front electric windows
- Central locking

Photos



Condition Check



Damage Photos



1: Carpets Front
Torn
Over 10mm

2: Bonnet
Scratched
Rusted



3: Wing osf
Dented
With Paint Damage

4: Door osf
Rusted
Over 5mm



5: B Post os
Rusted
Over 5mm

6: Sill os
Rusted
Over 5mm



7: Qtr Panel osr
Rusted
Over 5mm

8: Tailgate
Dented
With Paint Damage



9: Qtr Panel nsr
Rusted
Over 5mm

10: Door nsr
Rusted
Over 5mm



11: B Post ns
Rusted
Over 5mm

12: Sill ns
Rusted
Over 5mm



13: Door nsf
Rusted
Over 5mm

14: Wing nsf
Dented
With Paint Damage



15: Roof
 Rusted
 UpTo 5mm

Interior

Carpet Condition	Poor	Upholstery Condition	Average
Seat Condition	Average	Odour	No
Engine Runs	OK	Gearbox 1st and Reverse Test	OK
Brakes	OK	Clutch Slip Test from Static	OK
Turbo Boosting	OK	Gearbox Static Gear Selection (engine running)	OK
Parking Brake	OK	No Excessive Smoking	OK
EML light illuminated	OK	Oil warning light illuminated	OK
Airbag light illuminated	OK	DPF light illuminated	OK
ABS light illuminated	OK	Service indicator light illuminated	OK
Windows	OK	Radio	OK
		Steering	OK