



COMMERCIAL VEHICLE AUCTIONS LTD
THE UK'S MOST ESTABLISHED COMMERCIAL VEHICLE AUCTIONEERS

Carr Hill Industrial Estate
Doncaster
DN4 8DE

01302 732600 | cva.noreply@cva-auctions.co.uk

VEHICLE INSPECTION REPORT

ST62MJO

Ford Transit T350 2.2 TDCI 125PS

Inspection

Serious Damage? No

Vehicle

VAT Plus VAT

V5 To Follow

Details

Reg. date 20/02/2013

Year 2013

Mileage 101,173 Miles
Warranted

Fuel Type Diesel

GVW 3325kg

Colour WHITE

VIN WF0FXXTTFFCY65962

Body Style Tipper MWB

Service history Yes

Service documents Printout

MOT Due 01/03/2027

CAP Clean £4,200.00

CAP Average £3,300.00

CAP Below £2,175.00

Gearbox MANUAL

Tyres

NSF

NSR

OSF

OSR

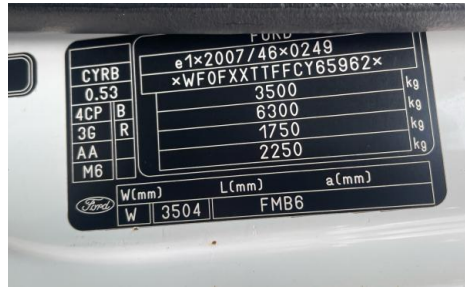
Spare

Features

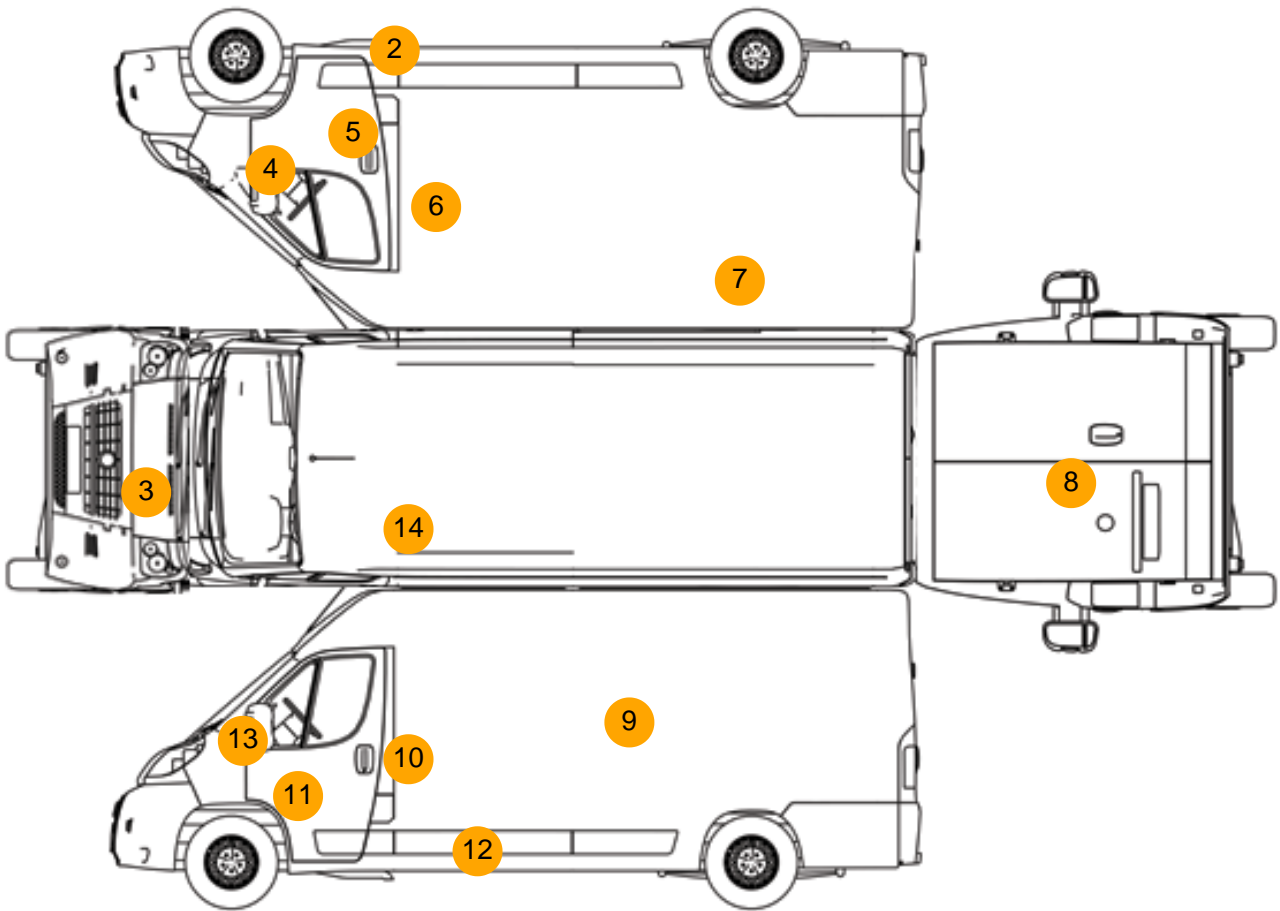
- Radio/CD
- Front electric windows
- Central locking

Photos





Condition Check



Damage Photos



1: Seat Base Cover of
Torn
Up To 3mm



2: Sill is
Rusted
Over 5mm



3: Bonnet
Dented
With Paint Damage

4: Wing osf
Rusted
Over 5mm



5: Door osf
Rusted
Over 5mm

6: B Post osf
Rusted
Over 5mm



7: Qtr Panel osf
Dented
With Paint Damage

8: Tailgate
Dented
With Paint Damage



9: Qtr Panel nsr
Dented
With Paint Damage

10: B Post ns
Rusted
Over 5mm



11: Door nsf
Rusted
Over 5mm

12: Sill ns
Rusted
Over 5mm



13: Wing nsf
Rusted
Over 5mm

14: Roof
Rusted
Over 5mm

Interior

Carpet Condition	Average	Upholstery Condition	Average
Seat Condition	Average	Odour	No
Engine Runs	OK	Gearbox 1st and Reverse Test	OK
Brakes	OK	Clutch Slip Test from Static	OK
Turbo Boosting	OK	Gearbox Static Gear Selection (engine running)	OK
Parking Brake	OK	No Excessive Smoking	OK
EML light illuminated	OK	Oil warning light illuminated	OK
Airbag light illuminated	OK	DPF light illuminated	OK
ABS light illuminated	OK	Service indicator light illuminated	OK
Windows	OK	Radio	OK
		Steering	OK