



COMMERCIAL VEHICLE AUCTIONS LTD
THE UK'S MOST ESTABLISHED COMMERCIAL VEHICLE AUCTIONEERS

Carr Hill Industrial Estate
Doncaster
DN4 8DE

01302 732600 | cva.noreply@cva-auctions.co.uk

VEHICLE INSPECTION REPORT

ST62ATK

Ford Transit Connect T230 TDCi 90ps

Inspection

Serious Damage? No

Vehicle

VAT Plus VAT

V5 Present

Details

Reg. date 27/09/2012

VIN WF0UXXTTPUCD14528

CAP Average £920.00

Year 2012

Body Style Panel Van LWB

CAP Below £620.00

Mileage 87,977 Miles
Warranted

Service history Yes

Gearbox MANUAL

Service documents Printout

Gears 5

Fuel Type Diesel

MOT Due 22/08/2026

GVW 2340kg

CAP Clean £1,175.00

Colour WHITE

SIDE LOAD DOOR.

Tyres

NSF

NSR

OSF

OSR

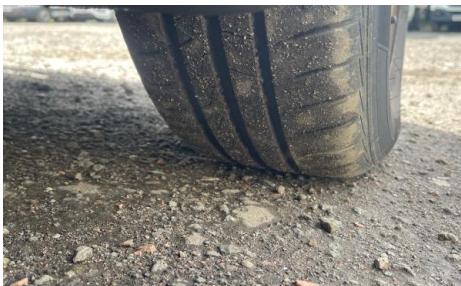
Spare

Features

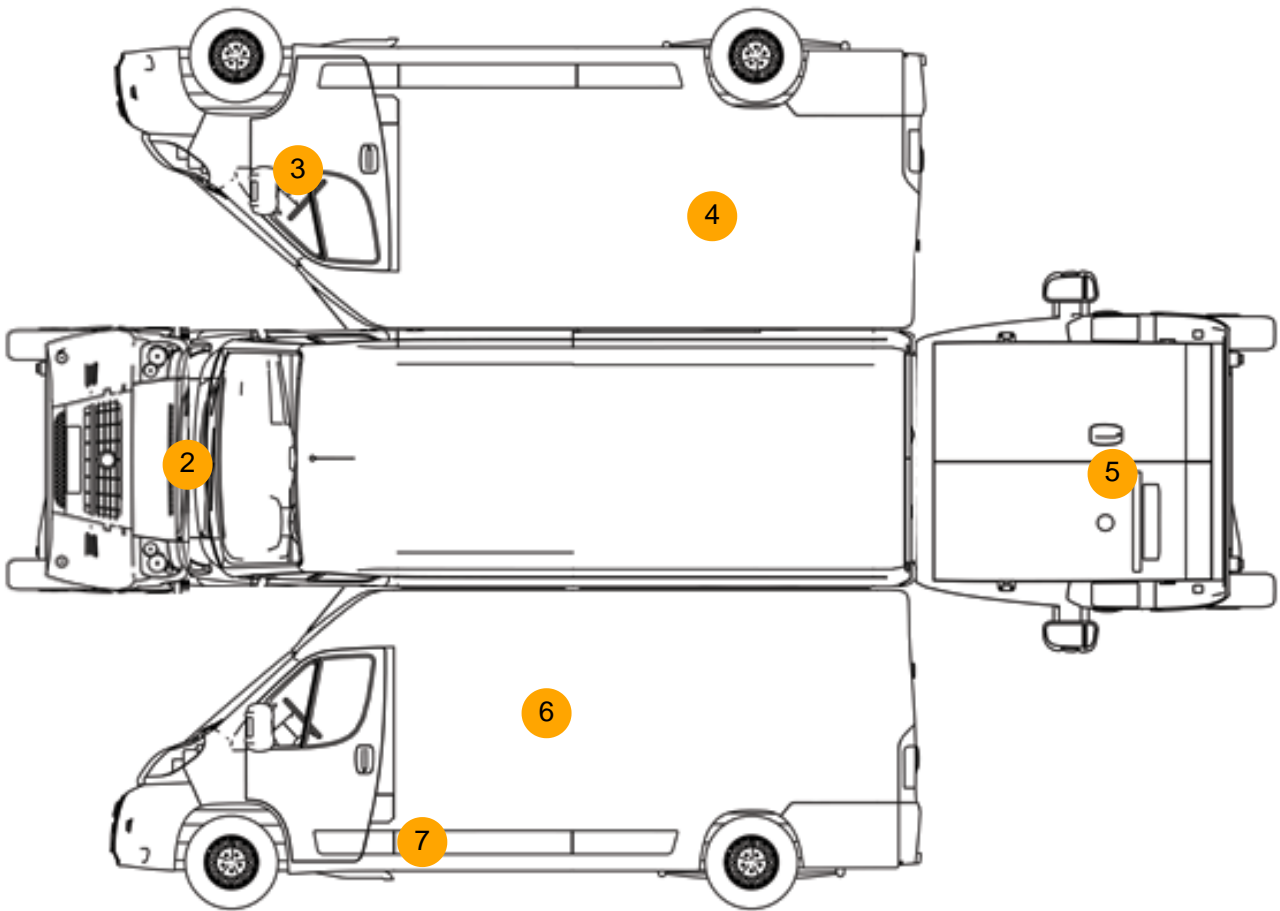
- Radio/CD
- Front electric windows
- Central locking

Photos





Condition Check



Damage Photos



1: Seat Base Cover of
Torn
Over 3mm



2: Bonnet
Rusted
Over 5mm



3: Door osf
Dented
With Paint Damage

4: Qtr Panel osr
Dented
With Paint Damage



5: Tailgate
Dented
With Paint Damage

6: Door nsf
Dented
With Paint Damage



7: Sill ns
Rusted
Over 5mm

Interior

Carpet Condition	Average	Upholstery Condition	Average
Seat Condition	Average	Odour	No
Engine Runs	OK	Gearbox 1st and Reverse Test	OK
Brakes	OK	Clutch Slip Test from Static	OK
Turbo Boosting	OK	Gearbox Static Gear Selection (engine running)	OK
Parking Brake	OK	No Excessive Smoking	OK
EML light illuminated	OK	Oil warning light illuminated	OK
Airbag light illuminated	OK	DPF light illuminated	OK
ABS light illuminated	OK	Service indicator light illuminated	OK
Windows	OK	Radio	OK
		Steering	OK