



COMMERCIAL VEHICLE AUCTIONS LTD
THE UK'S MOST ESTABLISHED COMMERCIAL VEHICLE AUCTIONEERS

Carr Hill Industrial Estate
Doncaster
DN4 8DE

01302 732600 | cva.noreply@cva-auctions.co.uk

VEHICLE INSPECTION REPORT

YR19NOL

Ford Transit Connect 220 1.5 EcoBlue 100ps

Inspection		Vehicle	
Serious Damage?	No	VAT	Plus VAT
		V5	To Follow

Details					
Reg. date	07/08/2019	Colour	WHITE	CAP Average	£2,325.00
Year	2019	VIN	WF0RXXWPGRKY47978	CAP Below	£1,800.00
Mileage	158,325 Miles Warranted	Body Style	Panel Van L1	Gearbox	MANUAL
Fuel Type	Diesel	MOT Due	06/08/2026	Gears	6
GVW	2375kg	CAP Clean	£2,700.00		

COLLECTED AS NON-RUNNER, GEAR BOX AND FLY WHEEL DAMAGE AD-BLUE

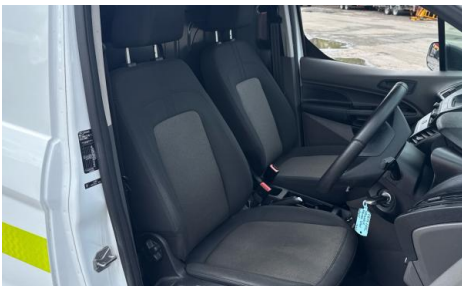
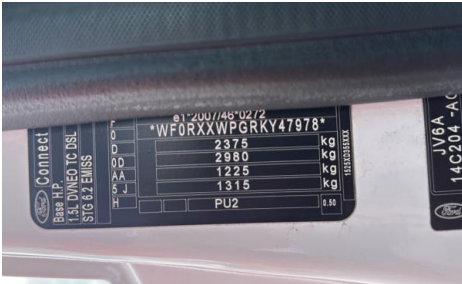
Tyres
NSF
NSR
OSF
OSR
Spare

Features

- Bluetooth connection
- Digital radio
- Passenger airbag
- Park assist camera
- Air conditioning
- Central locking
- Rear parking sensor
- Front electric windows
- Cloth seat trim
- Auxiliary input socket
- Drivers airbag

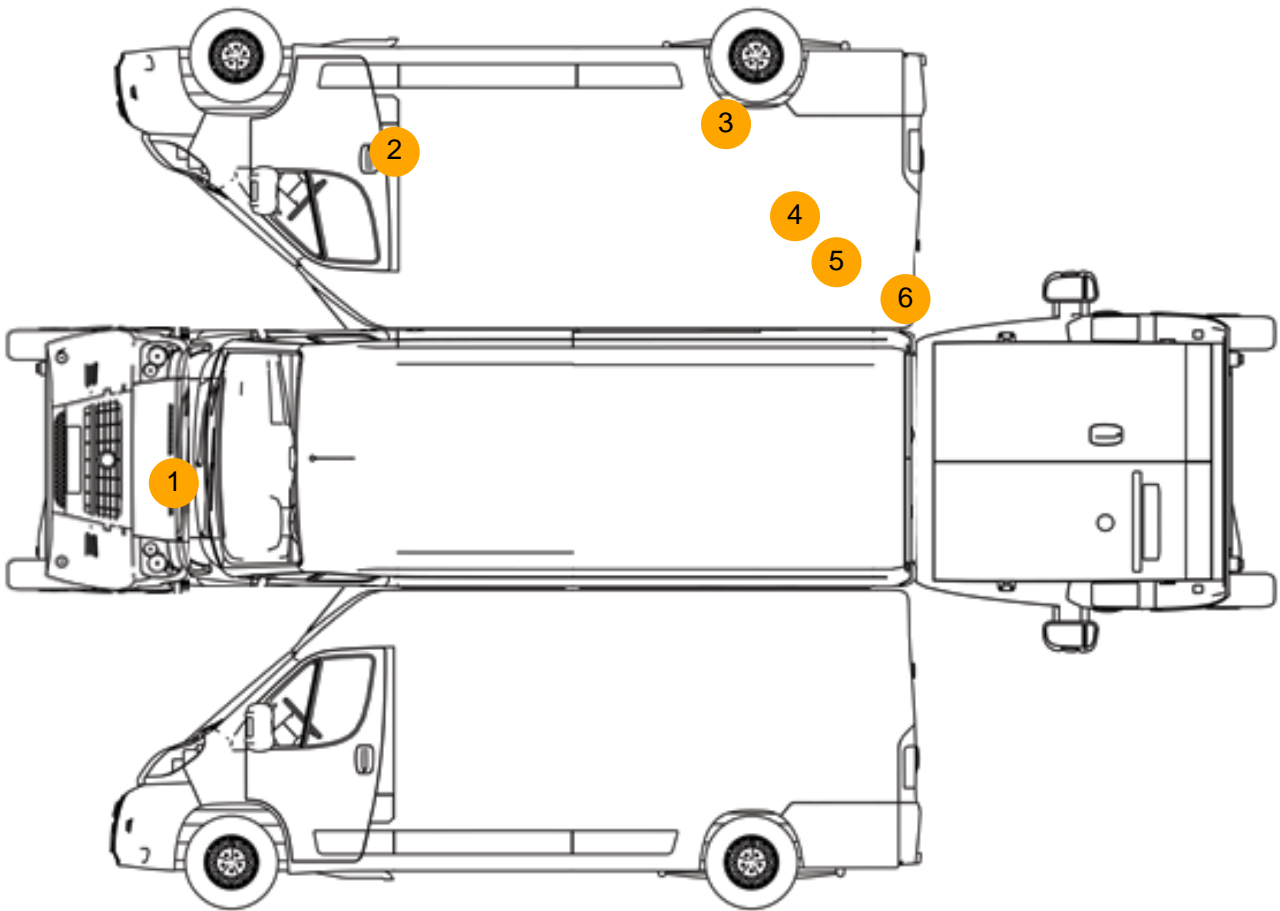
Photos







Condition Check



Damage Photos



1: Bonnet
Scratched
Over 25mm Thru Paint

2: Door osf
Chipped
Edge Chip



3: Qtr Panel osr
Dented
Over 30mm

4: Qtr Panel osr
Scratched
Over 25mm Thru Paint



5: Qtr Panel osr
Scratched
UpTo 25mm Thru Paint

6: Qtr Panel osr
Scratched
Over 25mm Thru Paint

Interior

Carpet Condition
Seat Condition

OK
OK

Upholstery Condition
Odour

OK
-

Engine Runs	OK	Gearbox 1st and Reverse Test	OK
Brakes	OK	Clutch Slip Test from Static	OK
Turbo Boosting	OK	Gearbox Static Gear Selection (engine running)	OK
Parking Brake	OK	No Excessive Smoking	OK
EML light illuminated	OK	Oil warning light illuminated	OK
Airbag light illuminated	OK	DPF light illuminated	OK
ABS light illuminated	OK	Service indicator light illuminated	OK

Windows

OK

Radio

OK

Steering

OK