



COMMERCIAL VEHICLE AUCTIONS LTD
THE UK'S MOST ESTABLISHED COMMERCIAL VEHICLE AUCTIONEERS

Carr Hill Industrial Estate
Doncaster
DN4 8DE

01302 732600 | cva.noreply@cva-auctions.co.uk

VEHICLE INSPECTION REPORT

BU14FBD

Mercedes-Benz Econic 2629

Inspection		Vehicle	
Serious Damage?	No	VAT	Plus VAT
		V5	Present

Details					
Reg. date	12/03/2014	Colour	WHITE	Gearbox	AUTOMATIC
Year	2014	VIN	WDB9576562V234918	Axle Combi	6x2
Mileage	175,351 Km Warranted	Body Style	Refuse Collector	Rear Suspension	Air
Fuel Type	Diesel	MOT Due	30/11/2026		
GVW	26000kg	Cab Type	CREW CAB		

OLYMPUS BODY, TERBERG SPLIT LIFT

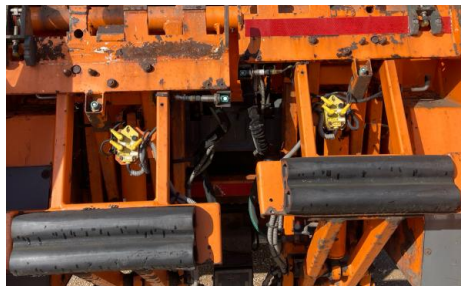
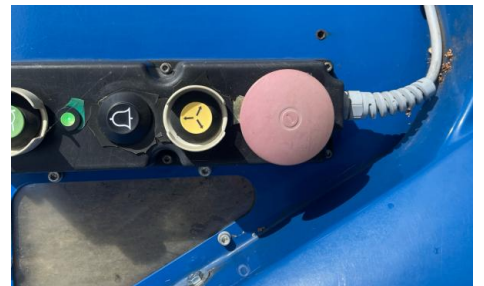
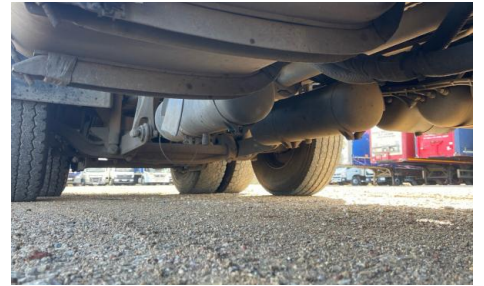
Tyres				
NSF	NSI1	NSI2	NSI3	NSI4
OSF	OSI1	OSI2	OSI3	OSI4
Spare	NSO1	NSO2	NSO3	NSO4
	OSO1	OSO2	OSO3	OSO4

Features

- Park assist camera

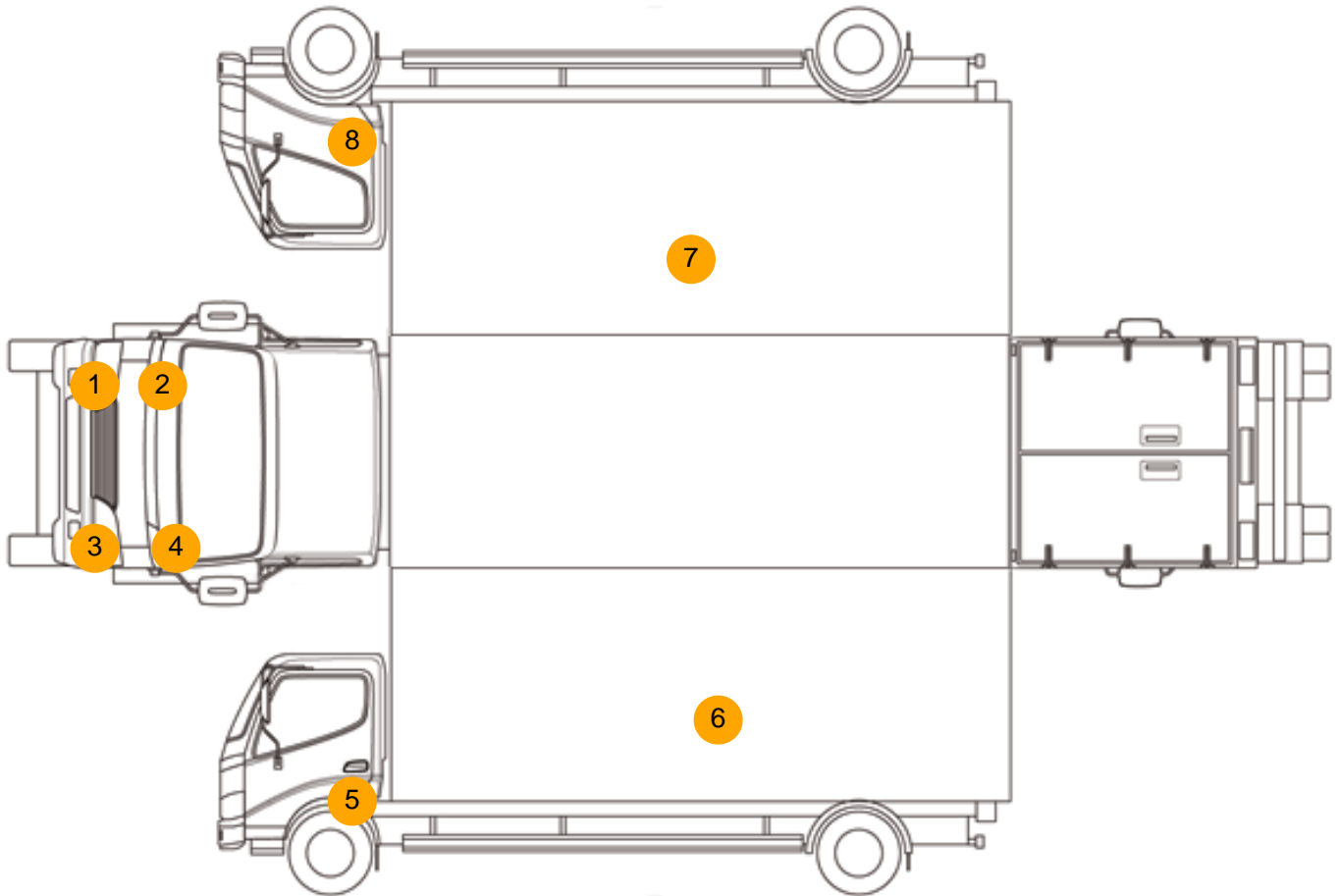
Photos







Condition Check



Damage Photos



1: Bumper Front
Cracked
Over 25mm



2: Wing of
Scratched
Over 25mm Not Thru Paint



3: Bumper Front
Scratched
Over 25mm Not Thru Paint

4: Wing nsf
Scratched
Over 25mm Not Thru Paint



5: Wing Front Arch Extension ns
Broken
Replace

6: Qtr Panel nsr
Scratched
Over 25mm Not Thru Paint



7: Qtr Panel osr
Scratched
Over 25mm Not Thru Paint

8: Wing Front Arch Extension os
Broken
Replace



9: Carpets Front
Holed
Over 3mm

10: Seat Base Cover of
Holed
Over 3mm



11: Switches And Controls
Broken
Replace

Interior

Carpet Condition	Average	Upholstery Condition	Average
Seat Condition	Average	Odour	-
Engine Runs	OK	Gearbox 1st and Reverse Test	OK
Brakes	OK	Clutch Slip Test from Static	OK
Parking Brake	OK	Gearbox Static Gear Selection (engine running)	OK
		No Excessive Smoking	OK
EML light illuminated	OK	Oil warning light illuminated	OK
Airbag light illuminated	OK	DPF light illuminated	OK
ABS light illuminated	OK	Service indicator light illuminated	OK