



COMMERCIAL VEHICLE AUCTIONS LTD
THE UK'S MOST ESTABLISHED COMMERCIAL VEHICLE AUCTIONEERS

Carr Hill Industrial Estate
Doncaster
DN4 8DE

01302 732600 | cva.noreply@cva-auctions.co.uk

VEHICLE INSPECTION REPORT

BU14FBN

Mercedes-Benz Econic 2629

Inspection		Vehicle	
Serious Damage?	No	VAT	Plus VAT
		V5	Present

Details					
Reg. date	14/03/2014	Colour	WHITE	Gearbox	AUTOMATIC
Year	2014	VIN	WDB9576562V234962	Axle Combi	6x2
Mileage	207,996 Km Warranted	Body Style	Refuse Collector	Rear Suspension	Air
Fuel Type	Diesel	MOT Due	31/08/2026		
GVW	26000kg	Cab Type	CREW CAB		

WARNING LIGHT ON DASH OLYMPUS BODY, TERBERG SPLIT LIFT

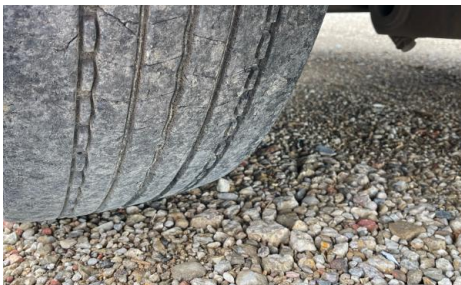
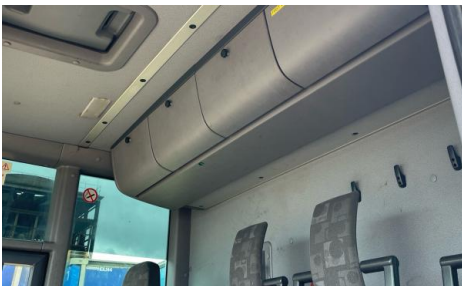
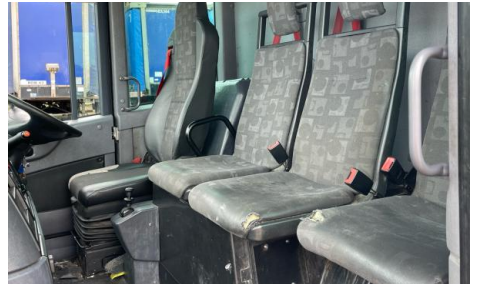
Tyres				
NSF	NSI1	NSI2	NSI3	NSI4
OSF	OSI1	OSI2	OSI3	OSI4
Spare	NSO1	NSO2	NSO3	NSO4
	OSO1	OSO2	OSO3	OSO4

Features

- Park assist camera

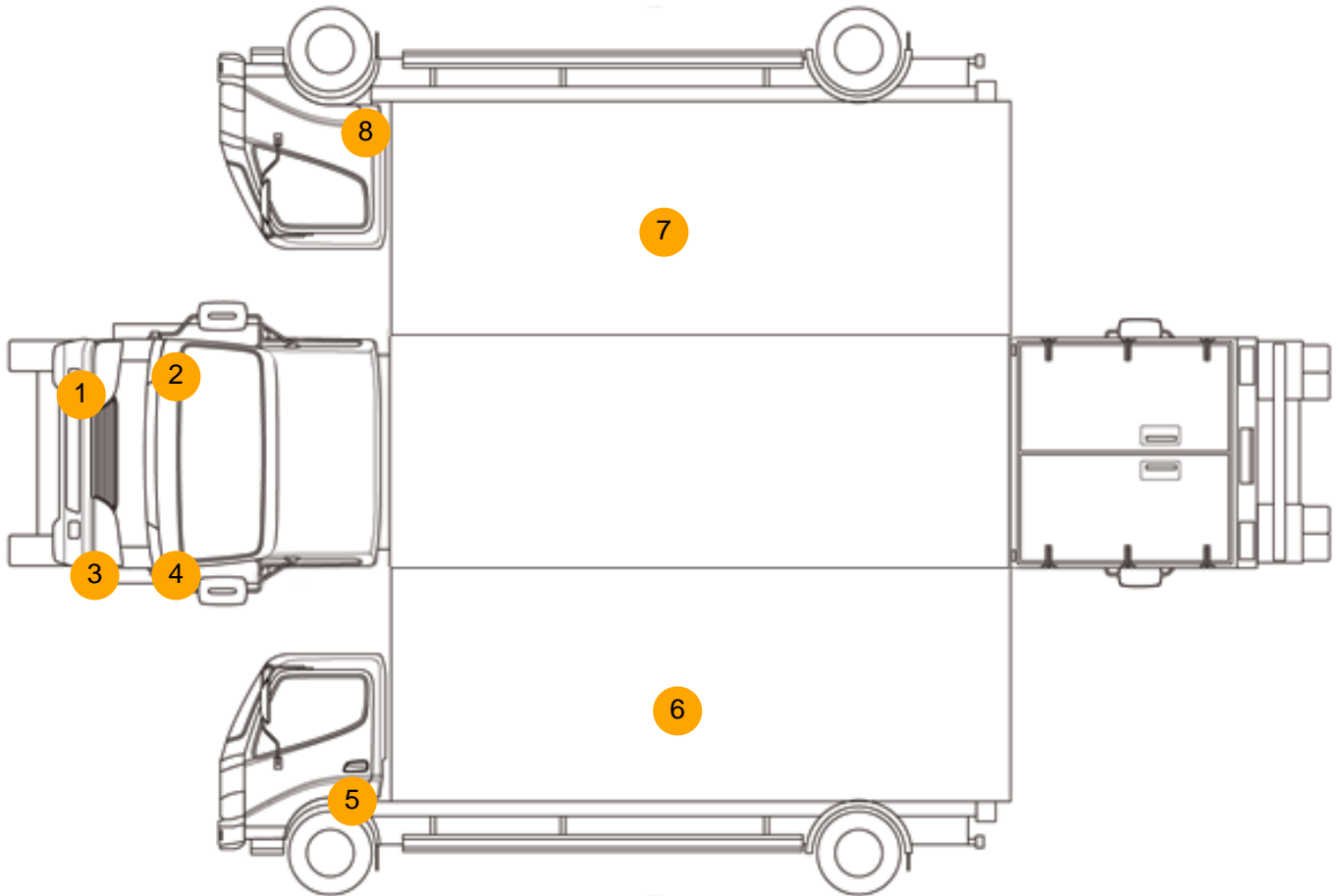
Photos







Condition Check



Damage Photos



1: Bumper Front
Scratched
25 to 100mm Thru Paint

2: Wing osf
Scratched
Over 25mm Not Thru Paint



3: Bumper Front
Scratched
Over 25mm Not Thru Paint

4: Wing nsf
Cracked
Replace



5: Wing Front Arch Extension ns
Broken
Replace

6: Qtr Panel nsr
Scratched
Over 25mm Not Thru Paint



7: Qtr Panel osr
Scratched
Over 25mm Not Thru Paint

8: Wing Front Arch Extension os
Scratched (Painted)
Over 25mm Not Thru Paint



9: Carpets Front
Holed
Over 3mm

10: Seat Base Cover osf
Torn
Over 3mm



11: Seat Base Cover nsf
Holed
Over 3mm

12: Seat Base Cover nsf
Holed
Over 3mm

Interior

Carpet Condition	Average	Upholstery Condition	Average
Seat Condition	Average	Odour	-
Engine Runs	OK	Gearbox 1st and Reverse Test	OK
Brakes	OK	Clutch Slip Test from Static	OK
Parking Brake	OK	Gearbox Static Gear Selection (engine running)	OK
		No Excessive Smoking	OK
EML light illuminated	Fault	Oil warning light illuminated	OK
Airbag light illuminated	OK	DPF light illuminated	OK
ABS light illuminated	OK	Service indicator light illuminated	Fault