



COMMERCIAL VEHICLE AUCTIONS LTD
THE UK'S MOST ESTABLISHED COMMERCIAL VEHICLE AUCTIONEERS

Carr Hill Industrial Estate
Doncaster
DN4 8DE

01302 732600 | cva.noreply@cva-auctions.co.uk

VEHICLE INSPECTION REPORT

BD15GKJ

Mercedes-Benz Econic 2630

Inspection

Serious Damage? No

Vehicle

VAT Plus VAT

V5 Present

Details

Reg. date	20/07/2015	Colour	WHITE	Gearbox	AUTOMATIC
Year	2015	VIN	WDB9560532V239482	Axle Combi	6x2
Mileage	105,899 Km Warranted	Body Style	Refuse Collector	Rear Suspension	Air
Fuel Type	Diesel	MOT Due	31/03/2027		
GVW	26000kg	Cab Type	CREW CAB		

OLYMPUS BODY, SPLIT TERBERG LIFT

Tyres

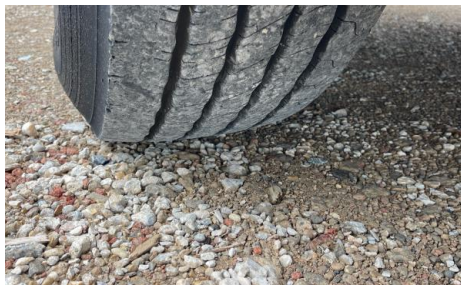
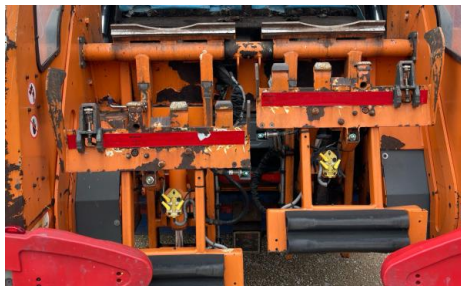
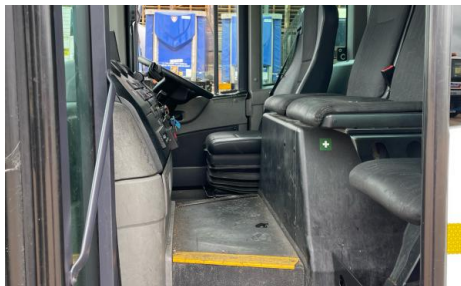
NSF	NSI1	NSI2	NSI3	NSI4
OSF	OSI1	OSI2	OSI3	OSI4
Spare	NSO1	NSO2	NSO3	NSO4
	OSO1	OSO2	OSO3	OSO4

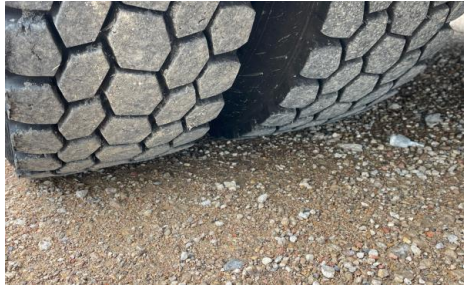
Features

- Park assist camera
- Air conditioning

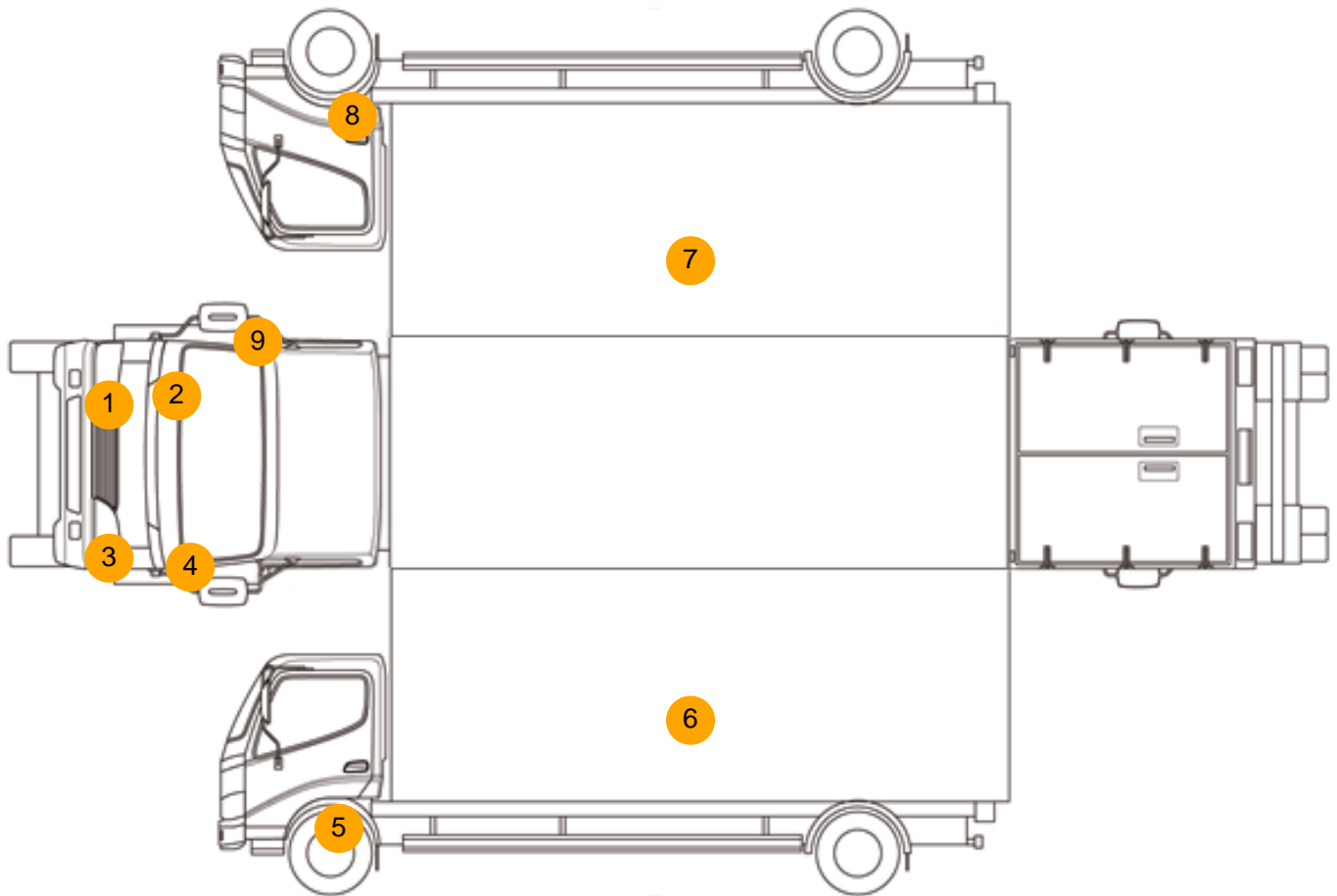
Photos







Condition Check



Damage Photos



1: Bumper Front
Scratched
25 to 100mm Thru Paint

2: Wing osf
Scratched
Over 25mm Not Thru Paint



3: Bumper Front
Dented
With Paint Damage

4: Wing nsf
Scratched
Over 25mm Not Thru Paint



5: Wing Front Arch Extension ns
Broken
Replace

6: Qtr Panel nsr
Scratched
Over 25mm Not Thru Paint



7: Qtr Panel osr
Scratched
Over 25mm Not Thru Paint

8: Wing Front Arch Extension os
Broken
Replace



9: Door Mirror Assy osf
Scuffed (Unpainted)
Over 100mm

10: Seat Base Cover osf
Holed
Over 3mm



11: Door Pad osf
Broken
Replace

12: Seat Base Cover osf
Scuffed
UpTo 25mm



13: Switches And Controls
Broken
Replace

Interior

Carpet Condition	-	Upholstery Condition	-
Seat Condition	-	Odour	-
Engine Runs	OK	Gearbox 1st and Reverse Test	OK
Brakes	OK	Clutch Slip Test from Static	OK
Parking Brake	OK	Gearbox Static Gear Selection (engine running)	OK
		No Excessive Smoking	OK
EML light illuminated	OK	Oil warning light illuminated	OK
Airbag light illuminated	OK	DPF light illuminated	OK
ABS light illuminated	OK	Service indicator light illuminated	OK