



COMMERCIAL VEHICLE AUCTIONS LTD
THE UK'S MOST ESTABLISHED COMMERCIAL VEHICLE AUCTIONEERS

Carr Hill Industrial Estate
Doncaster
DN4 8DE

01302 732600 | cva.noreply@cva-auctions.co.uk

VEHICLE INSPECTION REPORT

BU14FBL

Mercedes-Benz Econic 2629

Inspection		Vehicle	
Serious Damage?	No	VAT	Plus VAT
		V5	Present

Details					
Reg. date	12/03/2014	GVW	26000kg	Cab Type	CREW CAB
Year	2014	Colour	WHITE	Gearbox	AUTOMATIC
Mileage	160,431 Km Warranted	VIN	WDB9576562V234954	Axle Combi	6x2
Fuel Type	Diesel	Body Style	Refuse Collector	Rear Suspension	Air

WARNING LIGHT ON DASH OLYMPUS BODY, SPLIT TERBERG LIFT

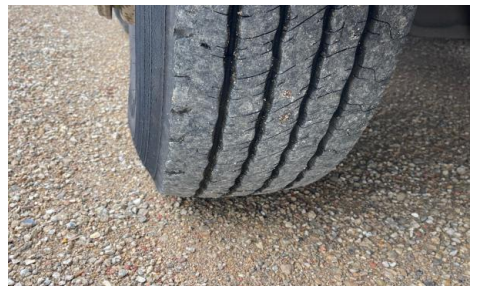
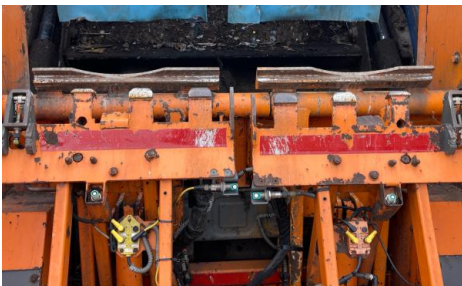
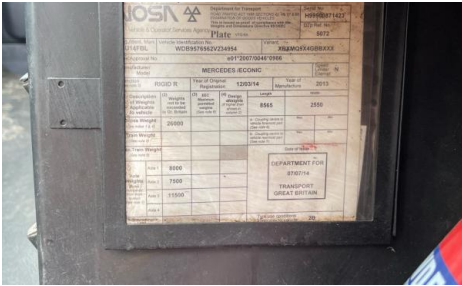
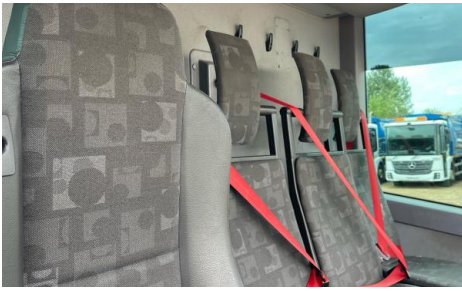
Tyres				
NSF	NSI1	NSI2	NSI3	NSI4
OSF	OSI1	OSI2	OSI3	OSI4
Spare	NSO1	NSO2	NSO3	NSO4
	OSO1	OSO2	OSO3	OSO4

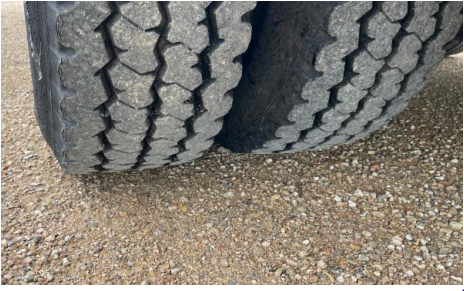
Features

- Park assist camera

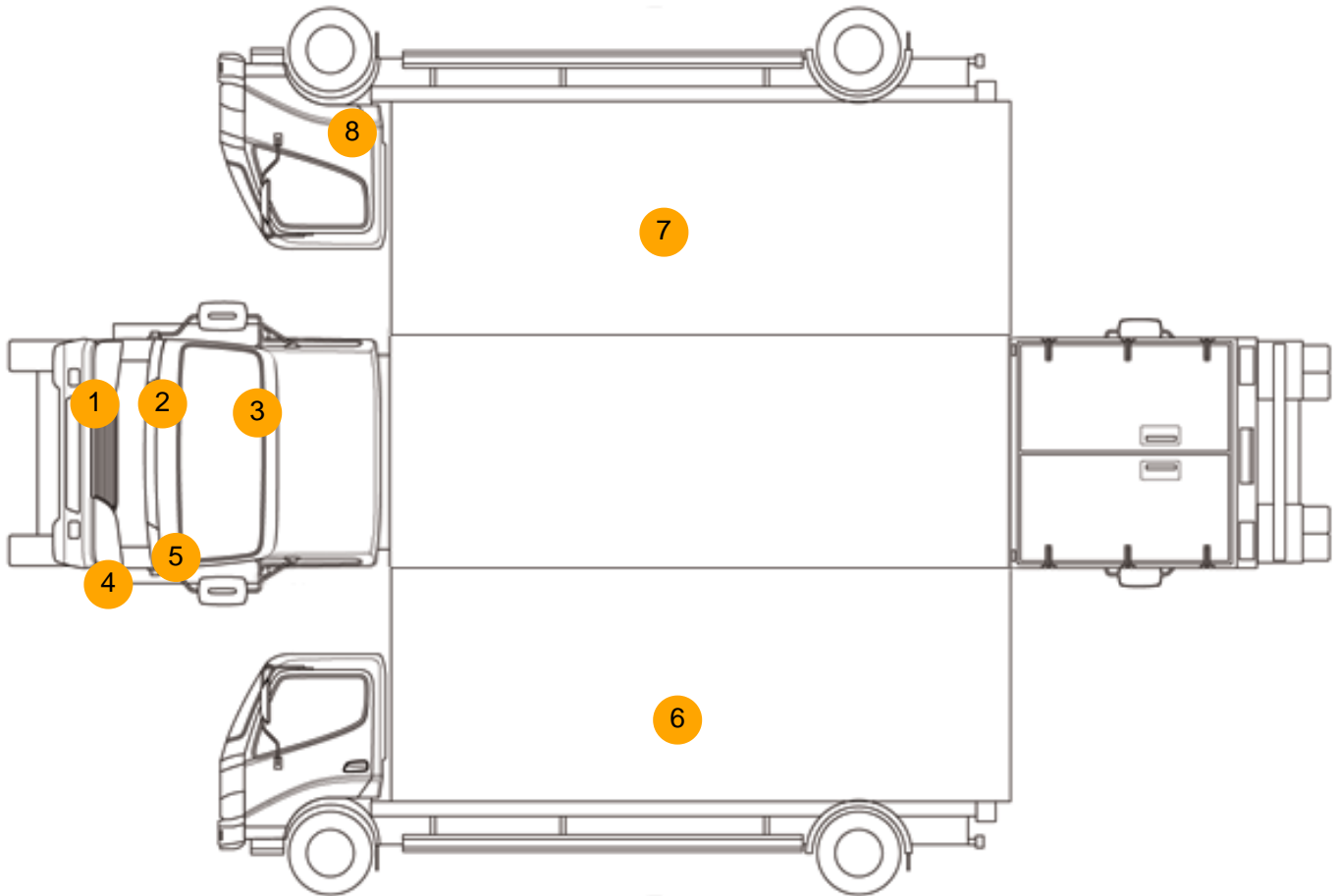
Photos







Condition Check



Damage Photos



1: Bumper Front
Scratched
Over 25mm Not Thru Paint



2: Wing of
Scratched
Over 25mm Not Thru Paint



3: Screen Front
Chipped
Over 10mm

4: Bumper Front
Scratched
Over 25mm Not Thru Paint



5: Wing nsf
Scratched
Over 25mm Not Thru Paint

6: Qtr Panel nsr
Scratched
Over 25mm Not Thru Paint



7: Qtr Panel osr
Scratched
Over 25mm Not Thru Paint

8: Wing Front Arch Extension os
Scratched (Painted)
UpTo 25mm Not Thru Paint



9: Seat Base Cover nsf
Holed
Over 3mm

10: Seat Base Cover nsf
Holed
Over 3mm



11: Door Pad osf
Broken
Replace

12: Centre Console Front
Broken
Replace

Interior

Carpet Condition	Average	Upholstery Condition	Average
Seat Condition	Average	Odour	-
Engine Runs	OK	Gearbox 1st and Reverse Test	OK
Brakes	OK	Clutch Slip Test from Static	OK
Parking Brake	OK	Gearbox Static Gear Selection (engine running)	OK
		No Excessive Smoking	OK
EML light illuminated	OK	Oil warning light illuminated	OK
Airbag light illuminated	OK	DPF light illuminated	OK
ABS light illuminated	OK	Service indicator light illuminated	Fault