



COMMERCIAL VEHICLE AUCTIONS LTD
THE UK'S MOST ESTABLISHED COMMERCIAL VEHICLE AUCTIONEERS

Carr Hill Industrial Estate
Doncaster
DN4 8DE

01302 732600 | cva.noreply@cva-auctions.co.uk

VEHICLE INSPECTION REPORT

CF25OEO

Citroen Relay 35 2.2 BLUEHDI 140PS ENTERPRISE

Inspection

Serious Damage? No

Vehicle

VAT Plus VAT

V5 Present

Details

Reg. date 30/06/2025

Year 2025

Mileage 23,538 Miles Not Warranted

Fuel Type Diesel

GVW 3500kg

Colour WHITE

VIN VF7YCF6F3SG032612

Body Style Panel Van L3

CAP Clean £18,250.00

CAP Average £17,500.00

CAP Below £15,750.00

Gearbox MANUAL

Gears 6

OUTSTANDING RECALL AD-BLUE, E/ MIRRORS

Tyres

NSF

NSR

OSF

OSR

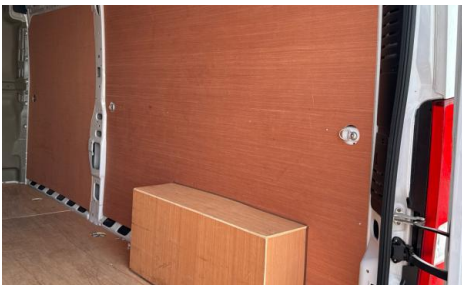
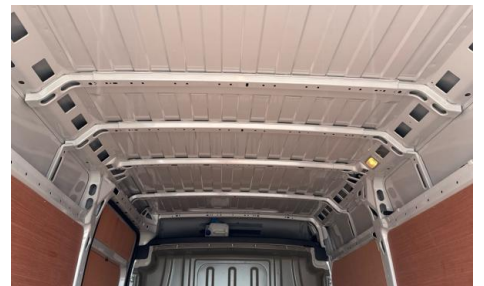
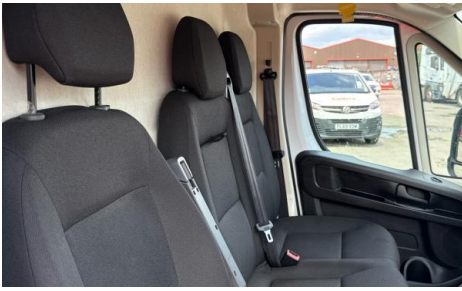
Spare

Features

- Bluetooth connection
- Rear parking sensor
- Air conditioning
- Central locking
- Cruise control
- Auxiliary input socket
- Front electric windows
- Cloth seat trim
- Front parking sensor
- Digital radio
- Drivers airbag
- Navigation system
- Mobile phone App interface
- Passenger airbag

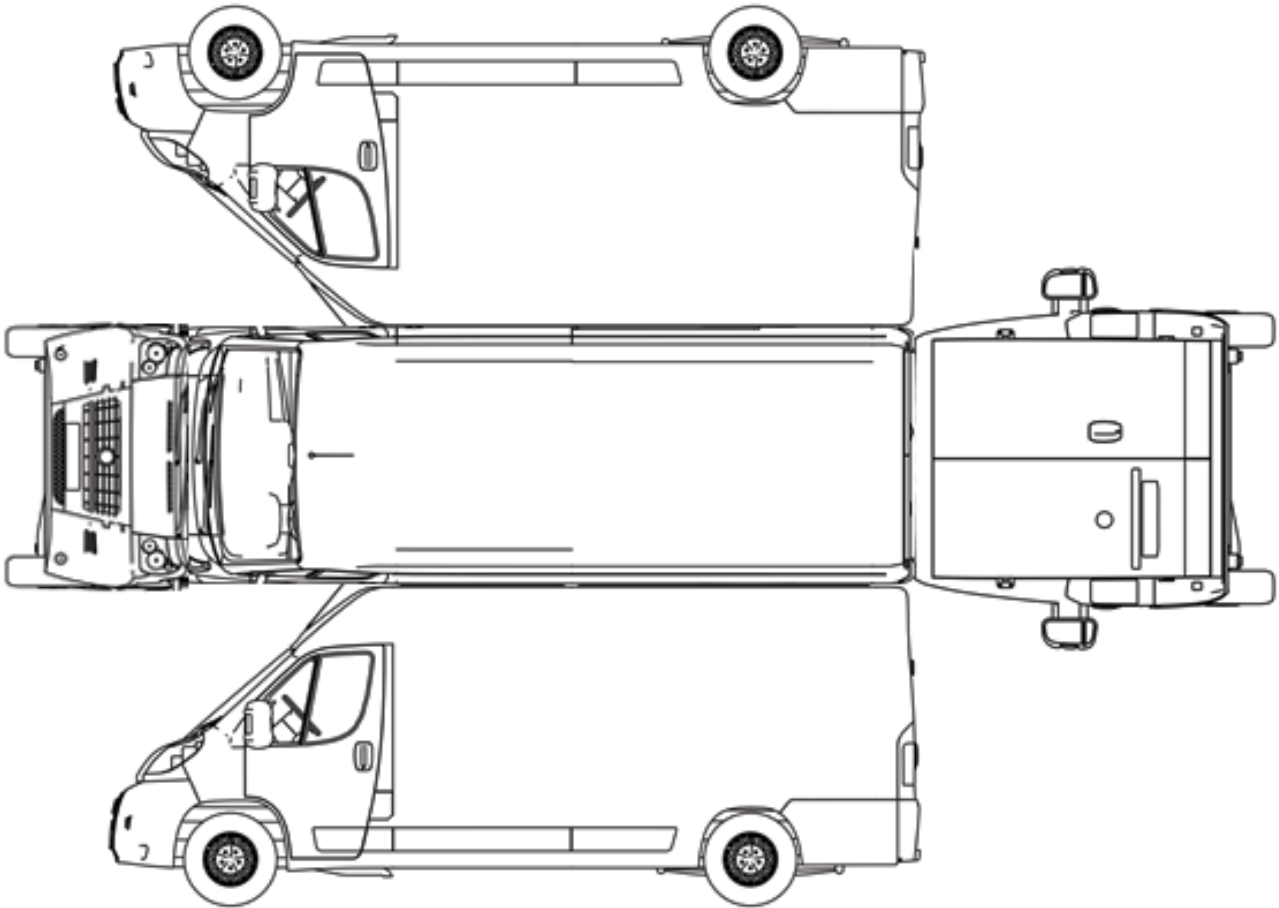
Photos







Condition Check



Damage Photos

Interior

Carpet Condition	OK	Upholstery Condition	OK
Seat Condition	OK	Odour	No
Engine Runs	OK	Gearbox 1st and Reverse Test	OK
Brakes	OK	Clutch Slip Test from Static	OK
Turbo Boosting	OK	Gearbox Static Gear Selection (engine running)	OK
Parking Brake	OK	No Excessive Smoking	OK
EML light illuminated	OK	Oil warning light illuminated	OK
Airbag light illuminated	OK	DPF light illuminated	OK
ABS light illuminated	OK	Service indicator light illuminated	OK
Windows	OK	Radio	OK
Sat nav	OK	Steering	OK