



COMMERCIAL VEHICLE AUCTIONS LTD
THE UK'S MOST ESTABLISHED COMMERCIAL VEHICLE AUCTIONEERS

Carr Hill Industrial Estate
Doncaster
DN4 8DE

01302 732600 | cva.noreply@cva-auctions.co.uk

VEHICLE INSPECTION REPORT

NA15JVU

Ford Transit Connect 240 1.6 TDCi 95ps

Inspection		Vehicle	
Serious Damage?	No	VAT	Plus VAT
		V5	Present

Details					
Reg. date	11/06/2015	Colour	WHITE	CAP Average	£2,500.00
Year	2015	VIN	WF0SXXWPGSFD50081	CAP Below	£1,750.00
Mileage	69,361 Miles Warranted	Body Style	Panel Van L2	Gearbox	MANUAL
Fuel Type	Diesel	MOT Due	07/06/2027	Gears	5
GVW	2395kg	CAP Clean	£3,100.00		

E/MIRRORS, AD-BLUE

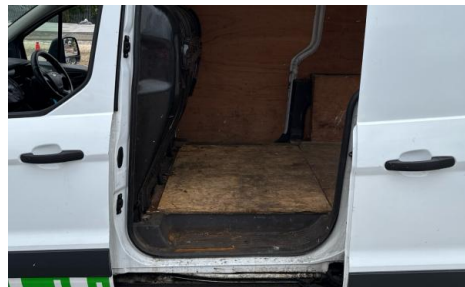
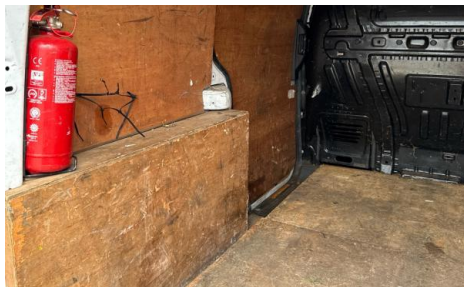
Tyres
NSF
NSR
OSF
OSR
Spare

Features

- Bluetooth connection
- Drivers airbag
- Auxiliary input socket
- Passenger airbag
- Digital radio
- Central locking
- Front electric windows
- Cloth seat trim

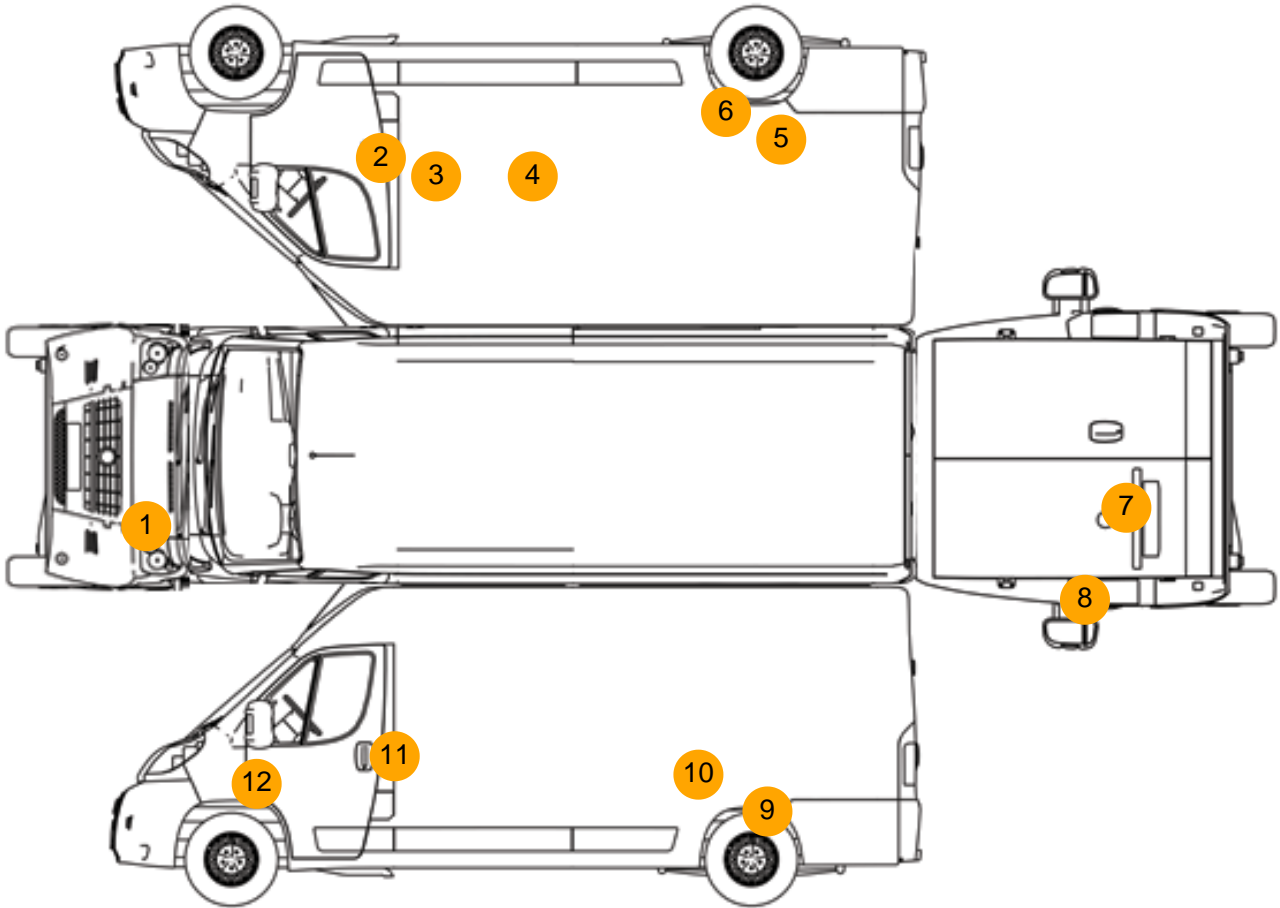
Photos







Condition Check



Damage Photos



1: Bumper Front
Scratched
Over 25mm Not Thru Paint

2: Door osf
Dented
Hail - Moderate



3: Door osf
Chipped
Edge Chip

4: Panel Rear
Scratched
Rusted



5: Panel Rear
Scratched
Over 25mm Thru Paint

6: Panel Rear
Dented
With Paint Damage



7: Door osr
Scratched
Up To 25mm Thru Paint

8: Door osr
Dented
With Paint Damage



9: Panel Rear
Dented
With Paint Damage

10: Panel Rear
Dented
Over 30mm



11: Door osf
Chipped
Edge Chip

12: Moulding osf Wing
Scratched (Painted)
Over 25mm Not Thru Paint

Interior

Carpet Condition	Average	Upholstery Condition	Average
Seat Condition	Average	Odour	No
Engine Runs	OK	Gearbox 1st and Reverse Test	OK
Brakes	OK	Clutch Slip Test from Static	OK
Turbo Boosting	OK	Gearbox Static Gear Selection (engine running)	OK
Parking Brake	OK	No Excessive Smoking	OK
EML light illuminated	OK	Oil warning light illuminated	OK
Airbag light illuminated	OK	DPF light illuminated	OK
ABS light illuminated	OK	Service indicator light illuminated	OK

Windows

OK

Radio

OK

Steering

OK