



COMMERCIAL VEHICLE AUCTIONS LTD
THE UK'S MOST ESTABLISHED COMMERCIAL VEHICLE AUCTIONEERS

Carr Hill Industrial Estate
Doncaster
DN4 8DE

01302 732600 | cva.noreply@cva-auctions.co.uk

VEHICLE INSPECTION REPORT

BL64UVA

Mercedes-Benz Actros 1840

Inspection

Serious Damage? No

Vehicle

VAT Plus VAT

V5 To Follow

Details

Reg. date	30/01/2015	Colour	WHITE	Gearbox	AUTOMATIC
Year	2015	VIN	WDB9634032L922171	Axle Combi	4x2
Mileage	1,155,523 Km Warranted	Body Style	Tractor Unit	Rear Suspension	Air
Fuel Type	Diesel	MOT Due	30/06/2026		
GVW	28000kg	Cab Type	CLASSICSPACE CAB		

WARNING LIGHT ON DASH SURROUND CAMERA SYSTEM

Tyres

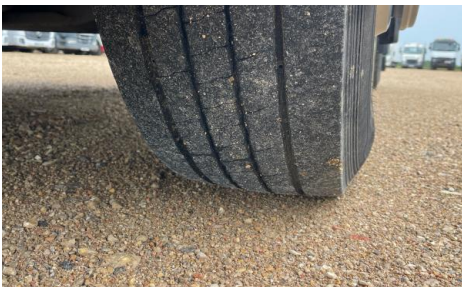
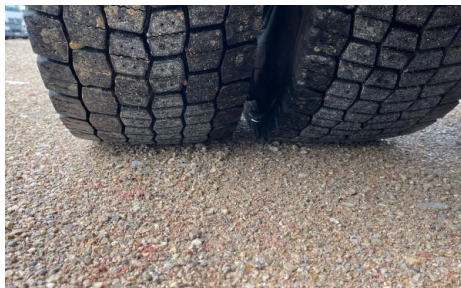
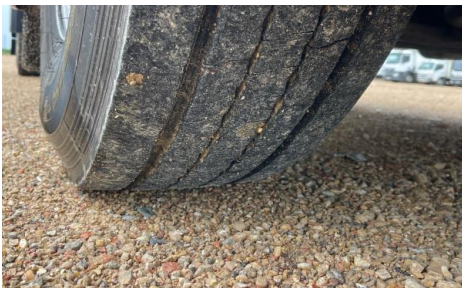
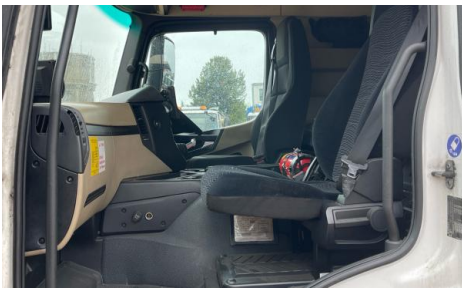
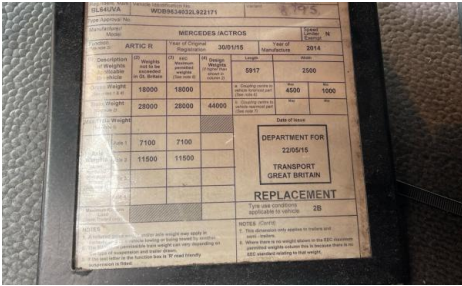
NSF	NSI1	NSI2	NSI3	NSI4
OSF	OSI1	OSI2	OSI3	OSI4
Spare	NSO1	NSO2	NSO3	NSO4
	OSO1	OSO2	OSO3	OSO4

Features

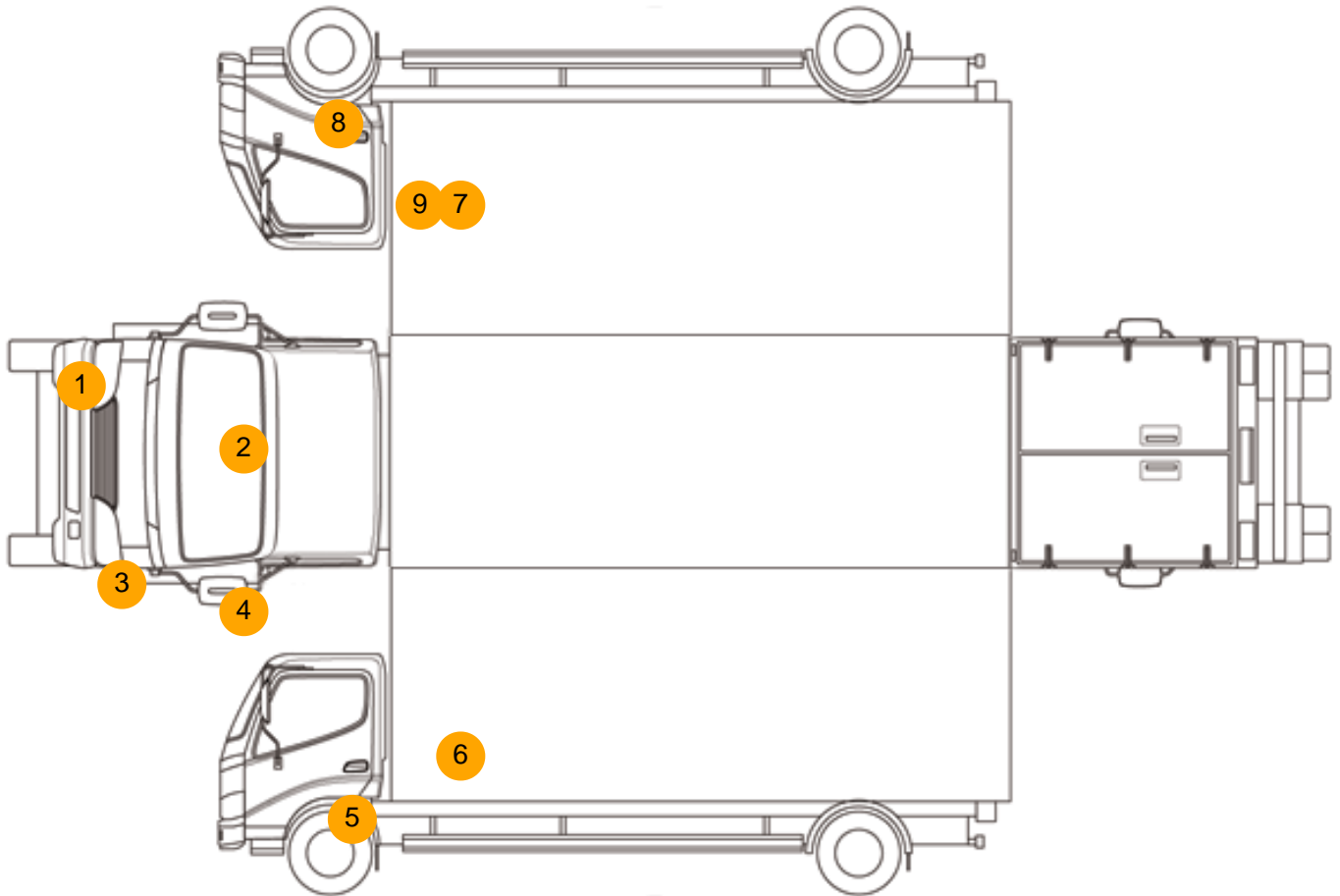
- Air conditioning

Photos





Condition Check



Damage Photos



1: Bumper Front Moulding
Scuffed (Unpainted)
UpTo 100mm



2: Screen Front
Chipped
UpTo 10mm



3: Bumper Front Moulding
Scuffed (Unpainted)
Over 100mm

4: Door Mirror Assy nsf
Scuffed (Unpainted)
Over 100mm



5: Wing Front Arch Extension ns
Scratched (Painted)
Over 25mm Thru Paint

6: Qtr Panel nsr
Cracked
Replace



7: Qtr Panel osr
Cracked
Replace

8: Wing Front Arch Extension os
Scratched (Painted)
Over 25mm Thru Paint



9: Door osf
Chipped
Edge Chip

10: Carpets Front
Holed
Over 3mm

Interior

Carpet Condition	Average	Upholstery Condition	Average
Seat Condition	Average	Odour	-
Engine Runs	OK	Gearbox 1st and Reverse Test	OK
Brakes	OK	Clutch Slip Test from Static	OK
Parking Brake	OK	Gearbox Static Gear Selection (engine running)	OK
		No Excessive Smoking	OK
EML light illuminated	Fault	Oil warning light illuminated	OK
Airbag light illuminated	OK	DPF light illuminated	OK
ABS light illuminated	OK	Service indicator light illuminated	OK