



**COMMERCIAL VEHICLE AUCTIONS LTD**  
THE UK'S MOST ESTABLISHED COMMERCIAL VEHICLE AUCTIONEERS

Carr Hill Industrial Estate  
Doncaster  
DN4 8DE

01302 732600 | cva.noreply@cva-auctions.co.uk

# VEHICLE INSPECTION REPORT

**LN67WMD**

## Ford Transit 350 2.0 TDCi 130ps

### Inspection

Serious Damage? No

### Vehicle

VAT Plus VAT

V5 Present

### Details

Reg. date 30/09/2017

Year 2017

Mileage 150,211 Miles  
Warranted

Fuel Type Diesel

GVW 3500kg

Colour GREEN

VIN WF0XXXTTGXHB72614

Body Style Panel Van L3

MOT Due 02/08/2026

CAP Clean £2,975.00

CAP Average £2,475.00

CAP Below £1,825.00

Gearbox MANUAL

Gears 6

\*OUTSTANDING RECALL\* AD-BLUE

### Tyres

NSF

NSR

OSF

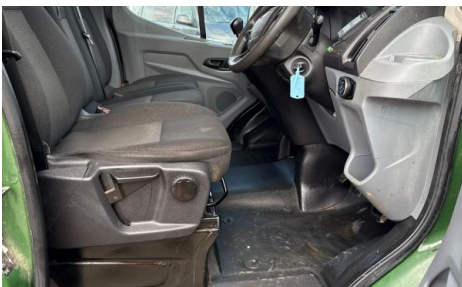
OSR

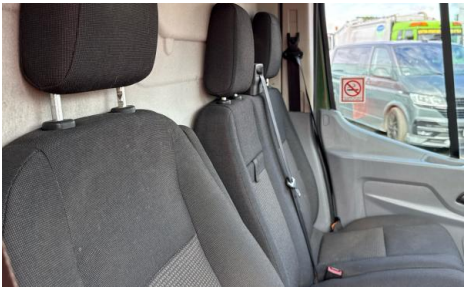
Spare

## Features

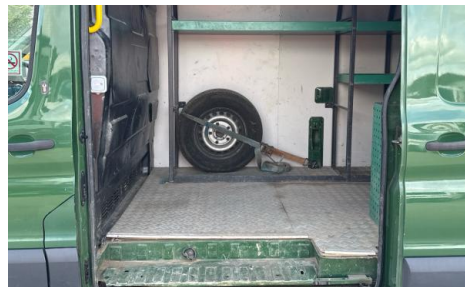
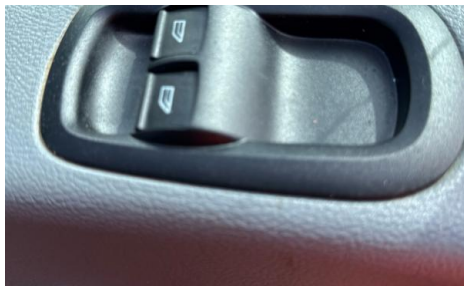
- Bluetooth connection
- Drivers airbag
- Auxiliary input socket
- Central locking
- Digital radio
- Cloth seat trim
- Front electric windows

## Photos



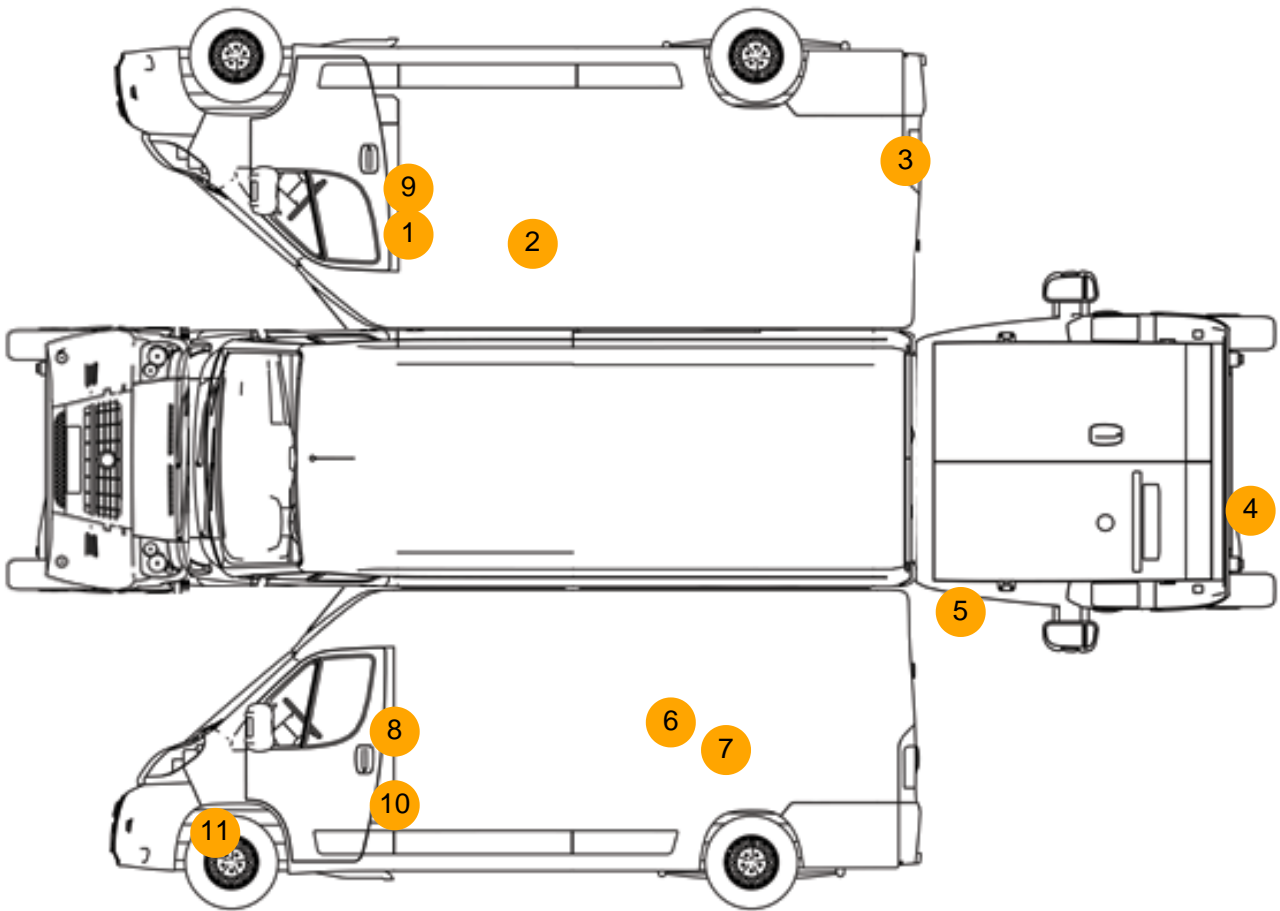


TRANSIT	FORD	
BASE	e1*2007748*1100	
PANTHER 2.0 DIESEL	*WFOXXX1T6XHB72614*	
4300PS	308 B	3500 kg
350L	R7	6000 kg
	AA P	1750 kg
	ES	2250 kg
	W(mm)	L(mm)
	E 1750	FCD a(mm)





## Condition Check



## Damage Photos



1: Door osf  
Chipped  
Edge Chip



2: Panel Rear  
Scratched  
UpTo 25mm Thru Paint



3: Panel Rear  
Scratched  
Over 25mm Thru Paint

4: Tailgate Trim Panel  
Broken  
Replace



5: Panel Rear  
Dented  
With Paint Damage

6: Door nsr  
Scratched  
Over 25mm Thru Paint



7: Door nsr  
Chipped  
Edge Chip

8: Door nsf  
Dented  
Over 30mm



9: Door nsf  
Chipped  
Edge Chip

10: Door nsf  
Chipped  
Edge Chip



11: Bumper Front Moulding  
Scuffed (Unpainted)  
Over 100mm

**Interior**

<b>Carpet Condition</b>	OK	<b>Upholstery Condition</b>	OK
<b>Seat Condition</b>	OK	<b>Odour</b>	No
Engine Runs	OK	Gearbox 1st and Reverse Test	OK
Brakes	OK	Clutch Slip Test from Static	OK
Turbo Boosting	OK	Gearbox Static Gear Selection (engine running)	OK
Parking Brake	OK	No Excessive Smoking	OK
EML light illuminated	OK	Oil warning light illuminated	OK
Airbag light illuminated	OK	DPF light illuminated	OK
ABS light illuminated	OK	Service indicator light illuminated	OK

Windows

OK

Radio

OK

Steering

OK