



COMMERCIAL VEHICLE AUCTIONS LTD
THE UK'S MOST ESTABLISHED COMMERCIAL VEHICLE AUCTIONEERS

Carr Hill Industrial Estate
Doncaster
DN4 8DE

01302 732600 | cva.noreply@cva-auctions.co.uk

VEHICLE INSPECTION REPORT

LN67WMF

Ford Transit 350 2.0 TDCi 130ps

Inspection		Vehicle	
Serious Damage?	No	VAT	Plus VAT
		V5	Present

Details

Reg. date	30/09/2017	Colour	GREEN	CAP Average	£1,575.00
Year	2017	VIN	WF0XXXTTGXHB75152	CAP Below	£1,150.00
Mileage	224,629 Miles Warranted	Body Style	Panel Van L3	Gearbox	MANUAL
Fuel Type	Diesel	MOT Due	06/08/2026	Gears	6
GVW	3500kg	CAP Clean	£1,925.00		

AD-BLUE

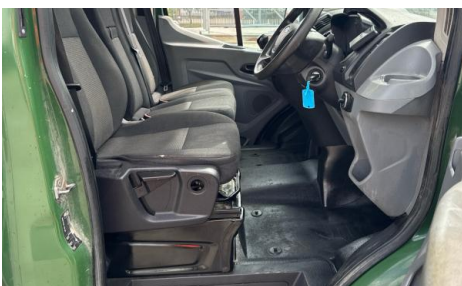
Tyres

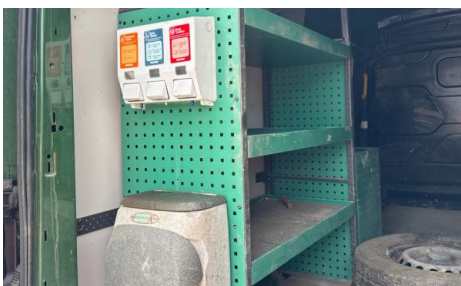
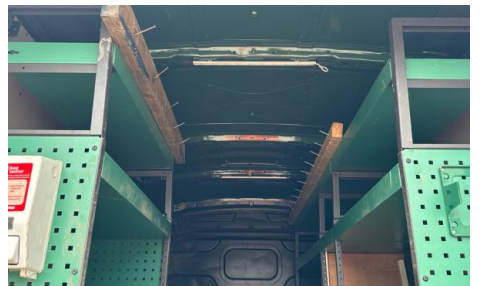
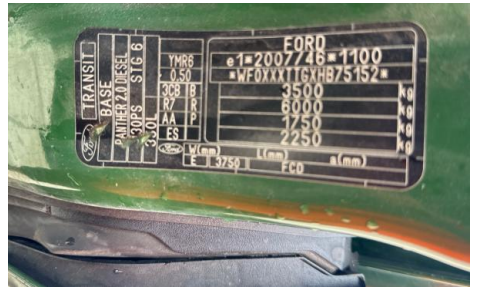
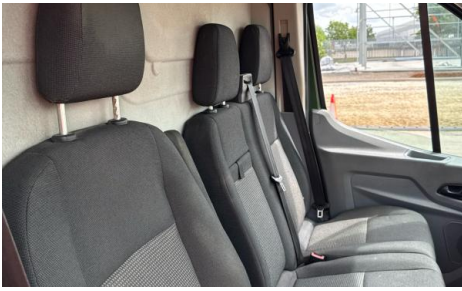
NSF
NSR
OSF
OSR
Spare

Features

- Bluetooth connection
- Digital radio
- Cloth seat trim
- Park assist camera
- Front electric windows
- Rear parking sensor
- Drivers airbag
- Auxiliary input socket
- Central locking

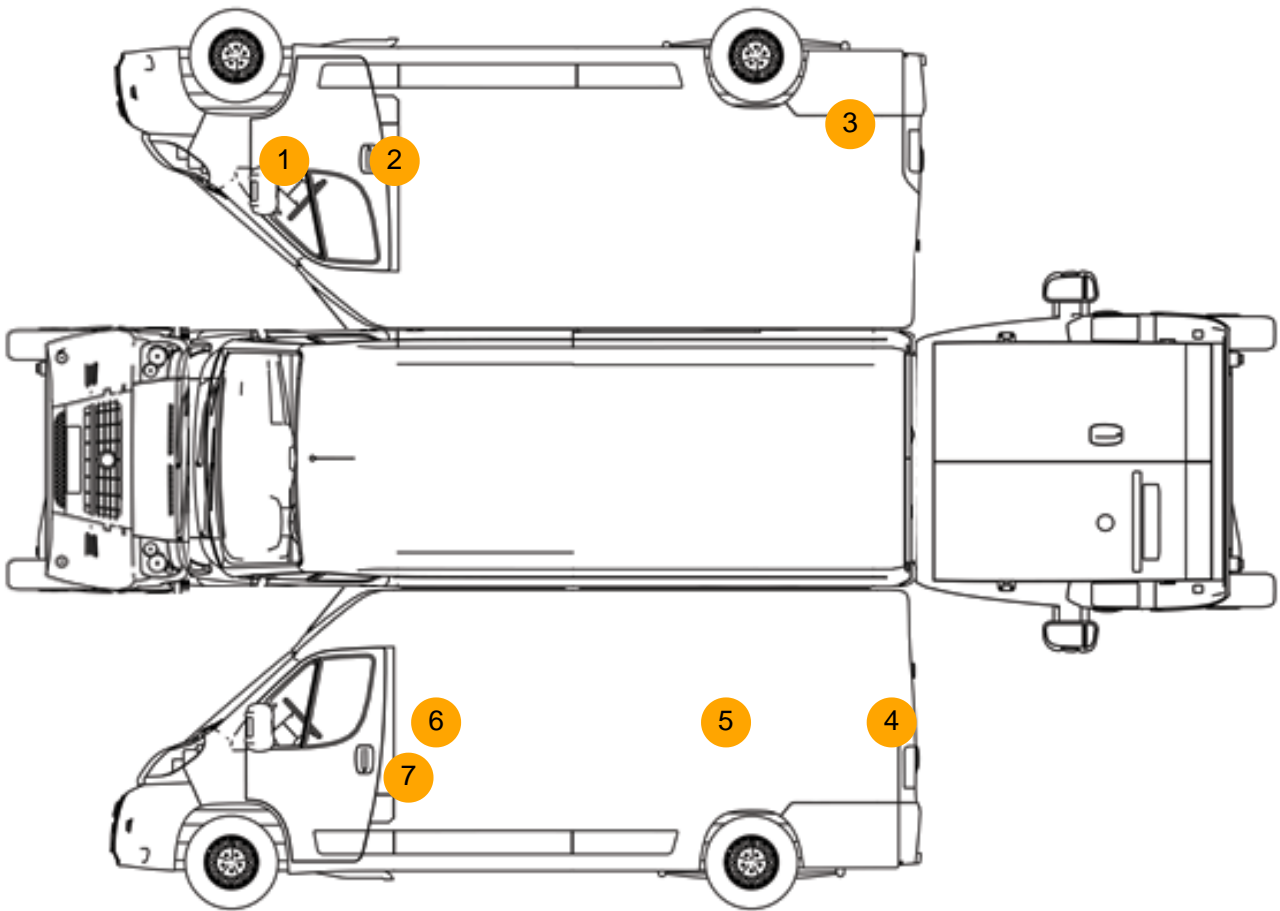
Photos







Condition Check



Damage Photos



1: Moulding of Wing
Broken
Replace

2: Door of
Scratched
Up To 25mm Thru Paint



3: Bumper Rear Moulding
Scuffed (Unpainted)
Up To 100mm

4: Panel Rear
Scratched
Over 25mm Thru Paint



5: Panel Rear
Dented
With Paint Damage

6: Panel Front
Chipped
Edge Chip



7: Door nsf
Chipped
Edge Chip

Interior

Carpet Condition	OK	Upholstery Condition	OK
Seat Condition	OK	Odour	No
Engine Runs	OK	Gearbox 1st and Reverse Test	OK
Brakes	OK	Clutch Slip Test from Static	OK
Turbo Boosting	OK	Gearbox Static Gear Selection (engine running)	OK
Parking Brake	OK	No Excessive Smoking	OK
EML light illuminated	OK	Oil warning light illuminated	OK
Airbag light illuminated	OK	DPF light illuminated	OK
ABS light illuminated	OK	Service indicator light illuminated	OK
Windows	OK	Radio	OK
		Steering	OK