



**COMMERCIAL VEHICLE AUCTIONS LTD**  
THE UK'S MOST ESTABLISHED COMMERCIAL VEHICLE AUCTIONEERS

Carr Hill Industrial Estate  
Doncaster  
DN4 8DE

01302 732600 | cva.noreply@cva-auctions.co.uk

# VEHICLE INSPECTION REPORT

**GK22PPU**

## Iveco Daily 72-180

### Inspection

Serious Damage? No

### Vehicle

VAT Plus VAT

V5 To Follow

### Details

Reg. date	04/05/2022	Colour	WHITE	Gearbox	AUTOMATIC
Year	2022	VIN	ZCFC670D10D698000	Axle Combi	4x2
Mileage	128,016 Km Warranted	Body Style	Box Van	Rear Suspension	Steel
Fuel Type	Diesel	MOT Due	Expired	Rear Doors	Roller
GVW	7200kg	Cab Type	DAY CAB	Tail Lift	Column

\*COLLECTED AS NON RUNNER, SUSPECTED GEARBOX FAILURE, NO KEY/FOB TO OPEN REAR DOORS, WARNING LIGHT ON DASH\*

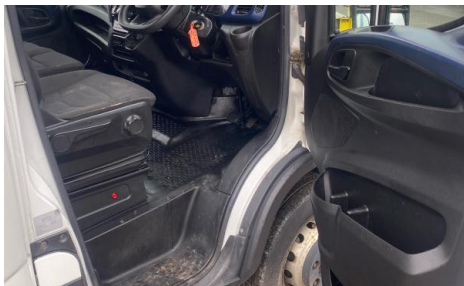
### Tyres

NSF	NSI1	NSI2	NSI3	NSI4
OSF	OSI1	OSI2	OSI3	OSI4
Spare	NSO1	NSO2	NSO3	NSO4
	OSO1	OSO2	OSO3	OSO4

## Features

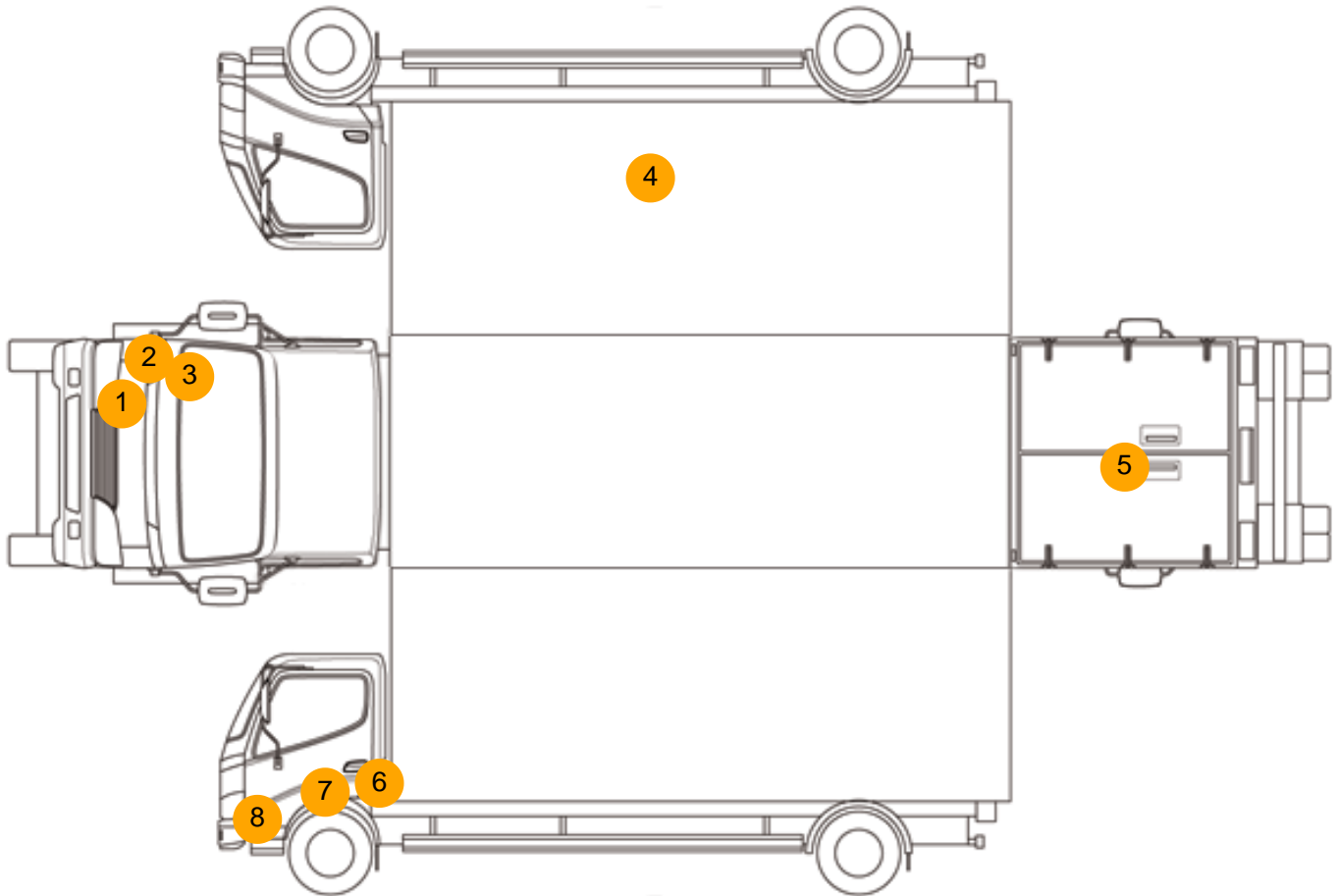
- Bluetooth connection
- Air conditioning
- Central locking
- Park assist camera
- Front electric windows
- Cloth seat trim
- Auxiliary input socket
- Drivers airbag
- Digital radio
- Passenger airbag

## Photos





## Condition Check



## Damage Photos



1: Bumper Front  
Scratched  
Up To 25mm Not Thru Paint



2: Wing osf  
Dented  
With Paint Damage



3: Bonnet  
Scratched  
Over 25mm Thru Paint

4: Panel Rear  
Cracked  
Replace



5: Tailgate  
Dented  
Between 10mm + 30mm

6: Wing nsf  
Scratched  
Over 25mm Thru Paint



7: Wing nsf  
Dented  
With Paint Damage

8: Bumper Front Moulding  
Scuffed (Unpainted)  
Over 100mm

**Interior**

<b>Carpet Condition</b>	Average	<b>Upholstery Condition</b>	Average
<b>Seat Condition</b>	Average	<b>Odour</b>	-
Engine Runs	OK	Gearbox 1st and Reverse Test	OK
Brakes	OK	Clutch Slip Test from Static	OK
Turbo Boosting	OK	Gearbox Static Gear Selection (engine running)	OK
Parking Brake	OK	No Excessive Smoking	OK
EML light illuminated	OK	Oil warning light illuminated	OK
Airbag light illuminated	OK	DPF light illuminated	Fault
ABS light illuminated	OK	Service indicator light illuminated	OK
Windows	OK	Radio	OK
		Steering	OK