



COMMERCIAL VEHICLE AUCTIONS LTD
THE UK'S MOST ESTABLISHED COMMERCIAL VEHICLE AUCTIONEERS

Carr Hill Industrial Estate
Doncaster
DN4 8DE

01302 732600 | cva.noreply@cva-auctions.co.uk

VEHICLE INSPECTION REPORT

DK15YZX

Man TGS 18.400

Inspection

Serious Damage? No

Vehicle

VAT Plus VAT

V5 To Follow

Details

Reg. date 01/03/2015

Year 2015

Mileage 1,426,827 Km
Warranted

Fuel Type Diesel

GVW 40000kg

Colour WHITE

VIN WMA06SZZ3FP062166

Body Style Tractor Unit

MOT Due 31/08/2026

Cab Type SLEEPER CAB

Gearbox AUTOMATIC

Axle Combi 4x2

Rear Suspension Air

Tyres

NSF NSI1

NSI2

NSI3

NSI4

OSF OSI1

OSI2

OSI3

OSI4

Spare NSO1

NSO2

NSO3

NSO4

OSO1

OSO2

OSO3

OSO4

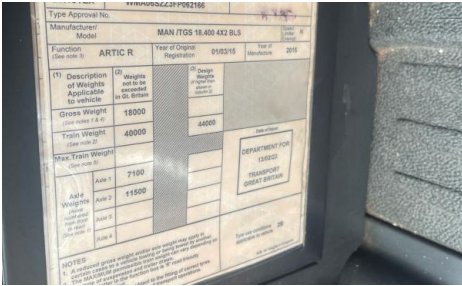
Features

- Radio/CD

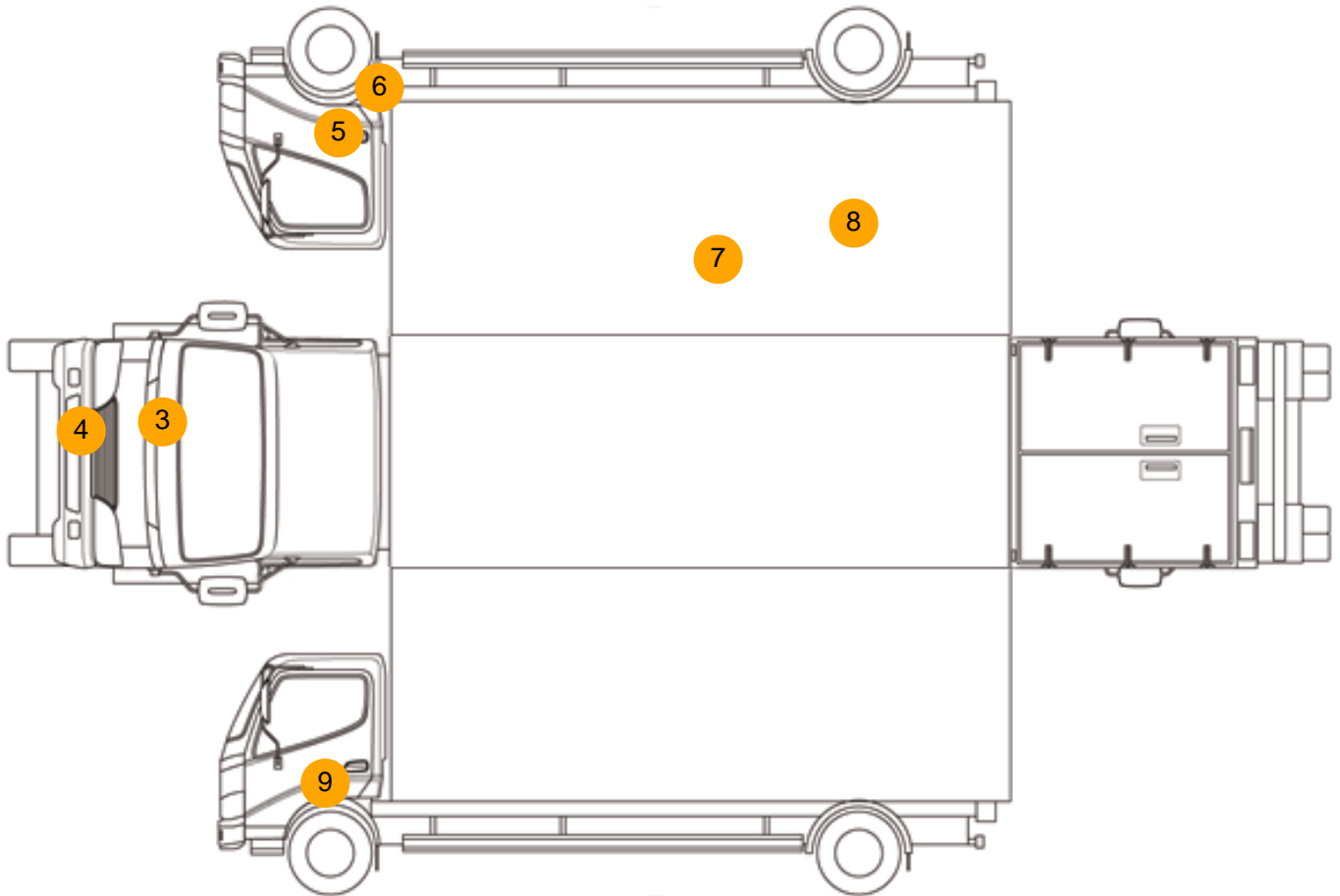
- Air conditioning

Photos





Condition Check



Damage Photos



1: Seat Base Cover of
Torn
Over 3mm



2: Carpets Front
Torn
Over 10mm



3: Bonnet
Chipped
Multiple Chips

4: Bumper Front Moulding
Scuffed (Unpainted)
Over 100mm



5: Door of
Dented
Over 30mm

6: Door Moulding of
Scuffed (Unpainted)
Over 100mm



7: Qtr Panel of
Dented
Over 30mm

8: Qtr Panel Moulding of
Scratched (Painted)
Up To 25mm Thru Paint



9: Door Moulding nsf
 Scuffed (Unpainted)
 Over 100mm

Interior

Carpet Condition	Average	Upholstery Condition	Average
Seat Condition	Average	Odour	-
Engine Runs	OK	Gearbox 1st and Reverse Test	OK
Brakes	OK	Clutch Slip Test from Static	OK
Turbo Boosting	OK	Gearbox Static Gear Selection (engine running)	OK
Parking Brake	OK	No Excessive Smoking	OK
EML light illuminated	OK	Oil warning light illuminated	OK
Airbag light illuminated	OK	DPF light illuminated	OK
ABS light illuminated	OK	Service indicator light illuminated	OK
Roof / sunroof	OK	Radio	OK
Windows	OK	Steering	OK