



COMMERCIAL VEHICLE AUCTIONS LTD
THE UK'S MOST ESTABLISHED COMMERCIAL VEHICLE AUCTIONEERS

Carr Hill Industrial Estate
Doncaster
DN4 8DE

01302 732600 | cva.noreply@cva-auctions.co.uk

VEHICLE INSPECTION REPORT

YN670BD

Ford Transit 460 2.2 TDCI 125PS TREND

Inspection		Vehicle	
Serious Damage?	No	VAT	Plus VAT
		V5	Buyer To Apply

Details			
Reg. date	04/09/2017	Colour	SILVER
Year	2017	VIN	WF0HXXTTGHHU71435
Mileage	104,377 Km Not Warranted	Body Style	Minibus
Fuel Type	Diesel	MOT Due	Expired
GVW	4600kg	CAP Clean	£9,275.00
		CAP Average	£7,725.00
		CAP Below	£5,725.00
		Gearbox	MANUAL
		Gears	6

WARNING LIGHTS ON DASH, PREVIOUSLY USED AS PRIVATE HIRE VEHICLE, FRONT PLATE MISSING
AD-BLUE, E/ MIRRORS, HEATED WINDSCREEN

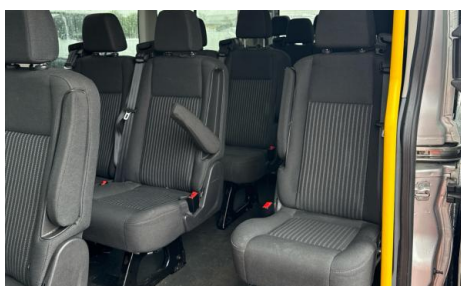
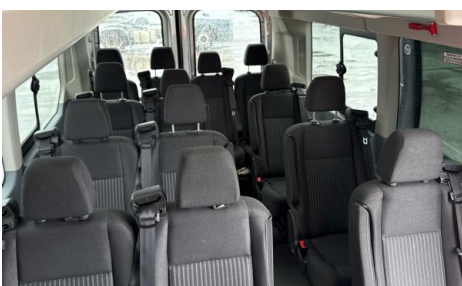
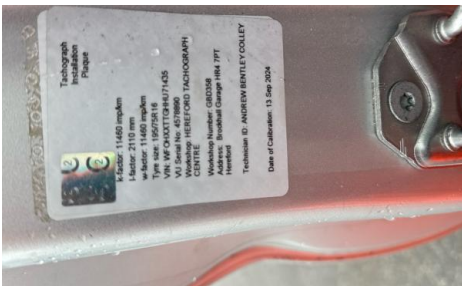
Tyres
NSF
NSR
OSF
OSR
Spare

Features

- Bluetooth connection
- Rear parking sensor
- Front electric windows
- Cloth seat trim
- Cruise control
- Auxiliary input socket
- Drivers airbag
- Front parking sensor
- Digital radio
- Passenger airbag
- Park assist camera
- Air conditioning
- Central locking

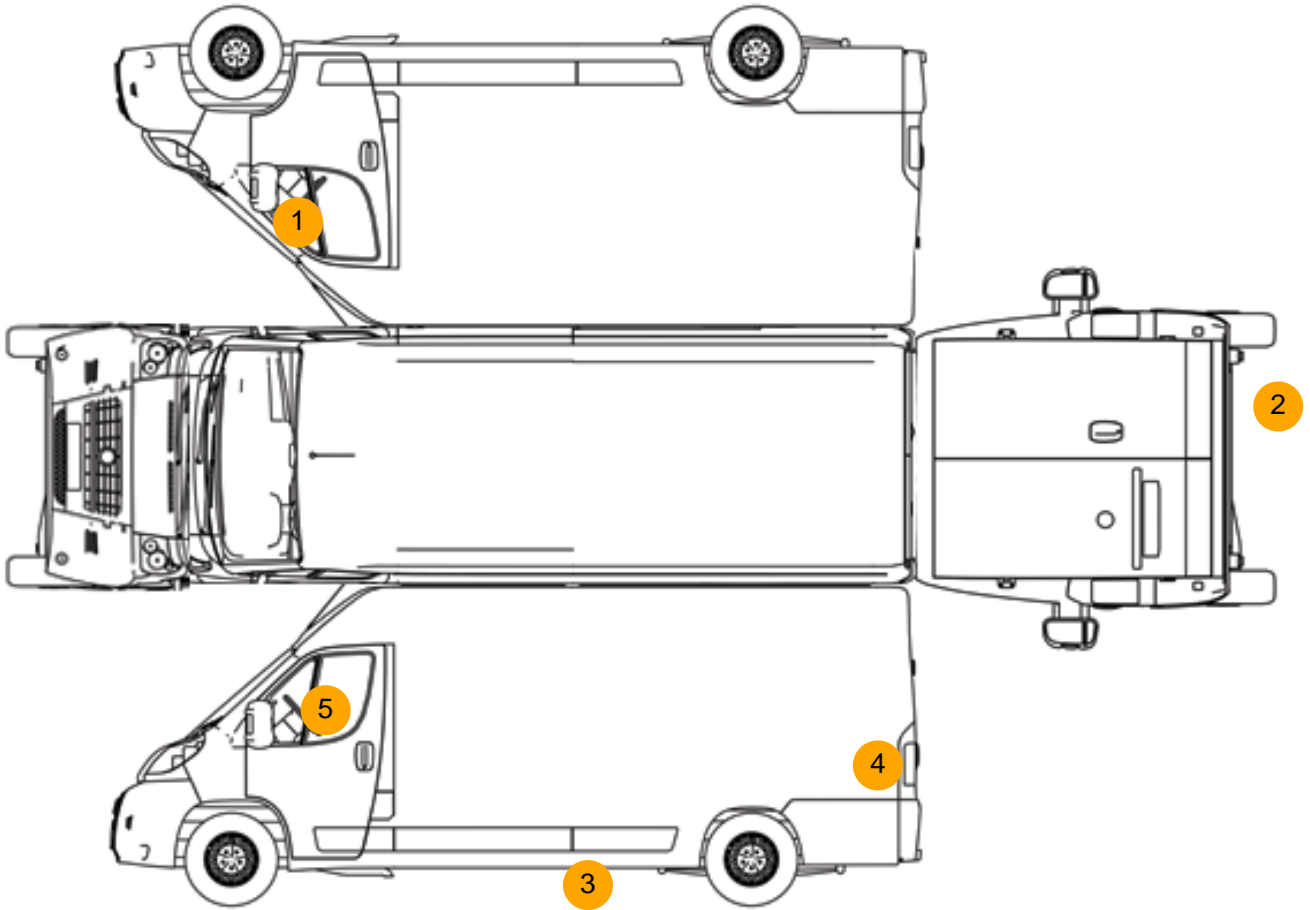
Photos







Condition Check



Damage Photos



1: Door Mirror Assy of
Broken
Replace

2: Bumper Rear Moulding
Broken
Replace



3: Sill ns
 Scratched
 Over 25mm Thru Paint

4: Panel Rear
 Scratched
 Over 25mm Not Thru Paint



5: Door Mirror Glass ns
 Broken
 Replace

Interior

Carpet Condition	Average	Upholstery Condition	Average
Seat Condition	Average	Odour	No
Engine Runs	OK	Gearbox 1st and Reverse Test	OK
Brakes	OK	Clutch Slip Test from Static	OK
Turbo Boosting	OK	Gearbox Static Gear Selection (engine running)	OK
Parking Brake	OK	No Excessive Smoking	OK
EML light illuminated	Fault	Oil warning light illuminated	OK
Airbag light illuminated	OK	DPF light illuminated	OK
ABS light illuminated	OK	Service indicator light illuminated	OK

Windows

OK

Radio

OK

Steering

OK