



COMMERCIAL VEHICLE AUCTIONS LTD
THE UK'S MOST ESTABLISHED COMMERCIAL VEHICLE AUCTIONEERS

Carr Hill Industrial Estate
Doncaster
DN4 8DE

01302 732600 | cva.noreply@cva-auctions.co.uk

VEHICLE INSPECTION REPORT

LT18XRN

Toyota Hilux ICON 2.4 D-4D

Inspection

Serious Damage? No

Vehicle

VAT Plus VAT

V5 Present

Details

Reg. date	10/05/2018	Colour	WHITE	CAP Average	£5,650.00
Year	2018	VIN	AHTHB3CD102126453	CAP Below	£4,300.00
Mileage	189,418 Miles Warranted	Body Style	Pickup Double Cab	Gearbox	MANUAL
Fuel Type	Diesel	MOT Due	09/05/2027	Gears	6
GVW	3210kg	CAP Clean	£6,675.00	Axle Combi	4x4

E/ MIRRORS

Tyres

NSF

NSR

OSF

OSR

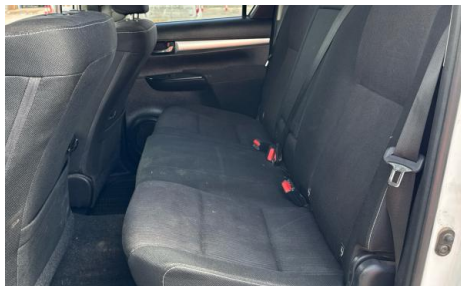
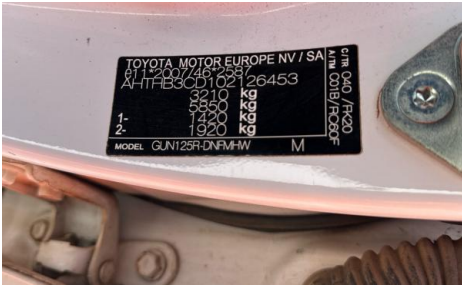
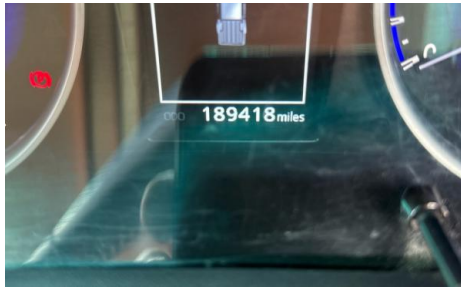
Spare

Features

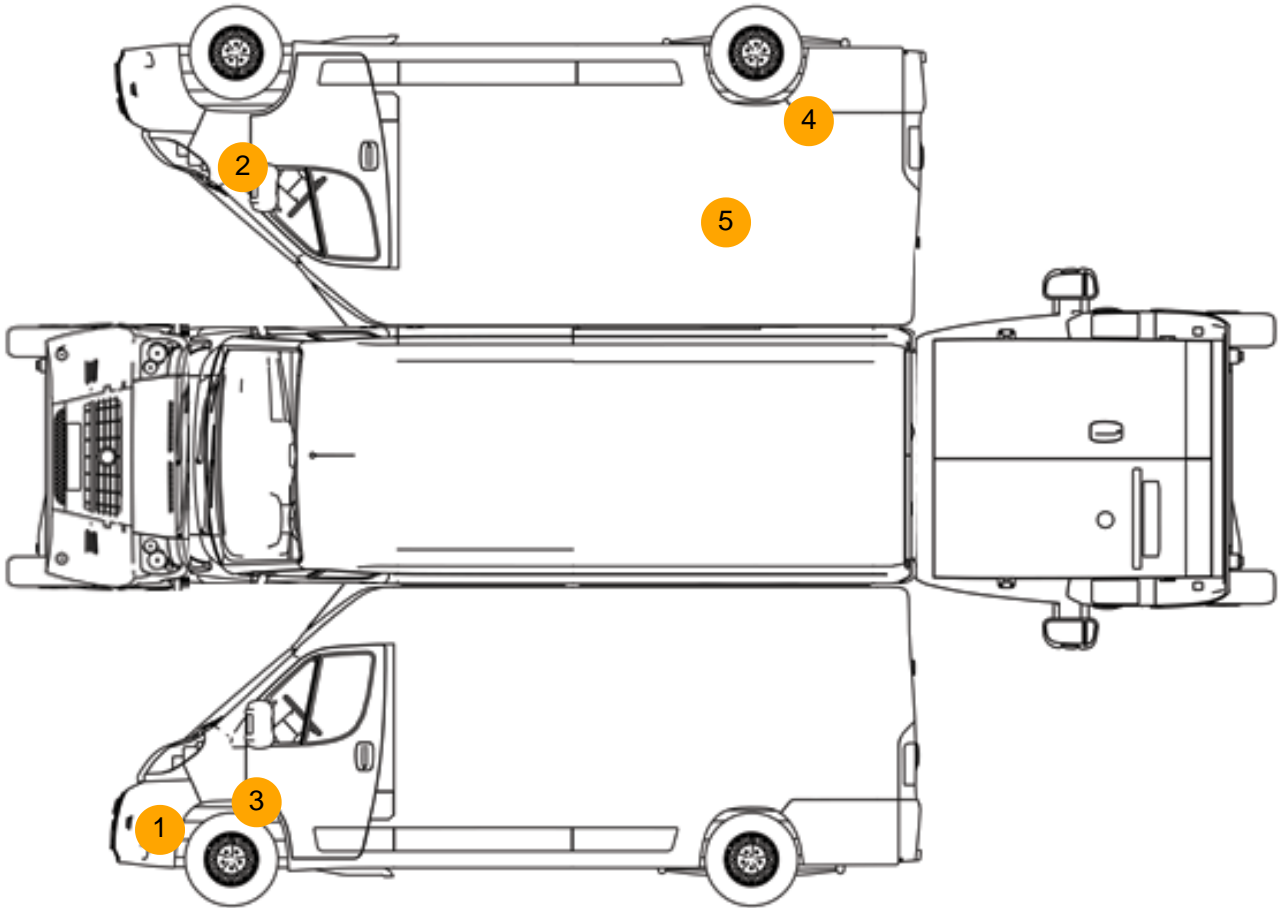
- Bluetooth connection
- Auxiliary input socket
- Drivers airbag
- Cruise control
- Digital radio
- Passenger airbag
- Park assist camera
- Air conditioning
- Central locking
- Rear parking sensor
- Front electric windows
- Cloth seat trim

Photos





Condition Check



Damage Photos



1: Bumper Front
Scratched
Over 100mm Thru Paint



2: Wing of
Rusted
Up To 5mm



3: Wing osf
Rusted
UpTo 5mm

4: Qtr Panel osr
Rusted
UpTo 5mm



5: Door nsr
Dented
With Paint Damage

Interior

Carpet Condition
Seat Condition

OK
OK

Upholstery Condition
Odour

OK
No

Engine Runs	OK	Gearbox 1st and Reverse Test	OK
Brakes	OK	Clutch Slip Test from Static	OK
Turbo Boosting	OK	Gearbox Static Gear Selection (engine running)	OK
Parking Brake	OK	No Excessive Smoking	OK
EML light illuminated	OK	Oil warning light illuminated	OK
Airbag light illuminated	OK	DPF light illuminated	OK
ABS light illuminated	OK	Service indicator light illuminated	OK

Windows

OK

Radio

OK

Steering

OK