



COMMERCIAL VEHICLE AUCTIONS LTD
THE UK'S MOST ESTABLISHED COMMERCIAL VEHICLE AUCTIONEERS

Carr Hill Industrial Estate
Doncaster
DN4 8DE

01302 732600 | cva.noreply@cva-auctions.co.uk

VEHICLE INSPECTION REPORT

KF16RFX

Ford Transit Custom 310 2.0 TDCi 105ps

Inspection

Serious Damage? No

Vehicle

VAT Plus VAT

V5 Present

Details

Reg. date 21/07/2016

VIN WF01XXTTG1GC75837

CAP Below £2,525.00

Year 2016

Body Style Minibus

Gearbox MANUAL

Mileage 147,483 Miles
Warranted

MOT Due 08/02/2027

Gears 6

Fuel Type Diesel

CAP Clean £4,275.00

CAP Average £3,525.00

Colour GREEN

8 SEATS + DRIVER

Tyres

NSF

NSR

OSF

OSR

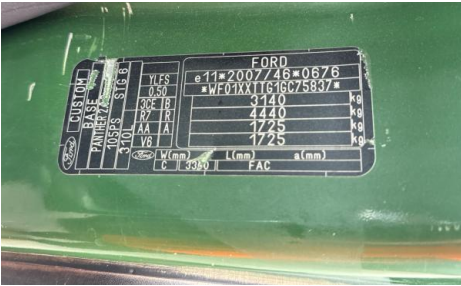
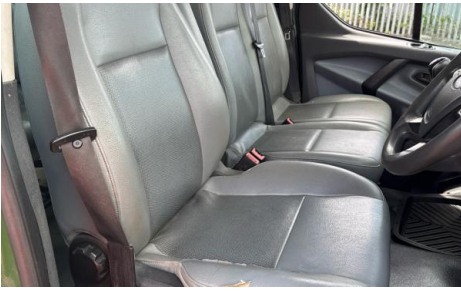
Spare

Features

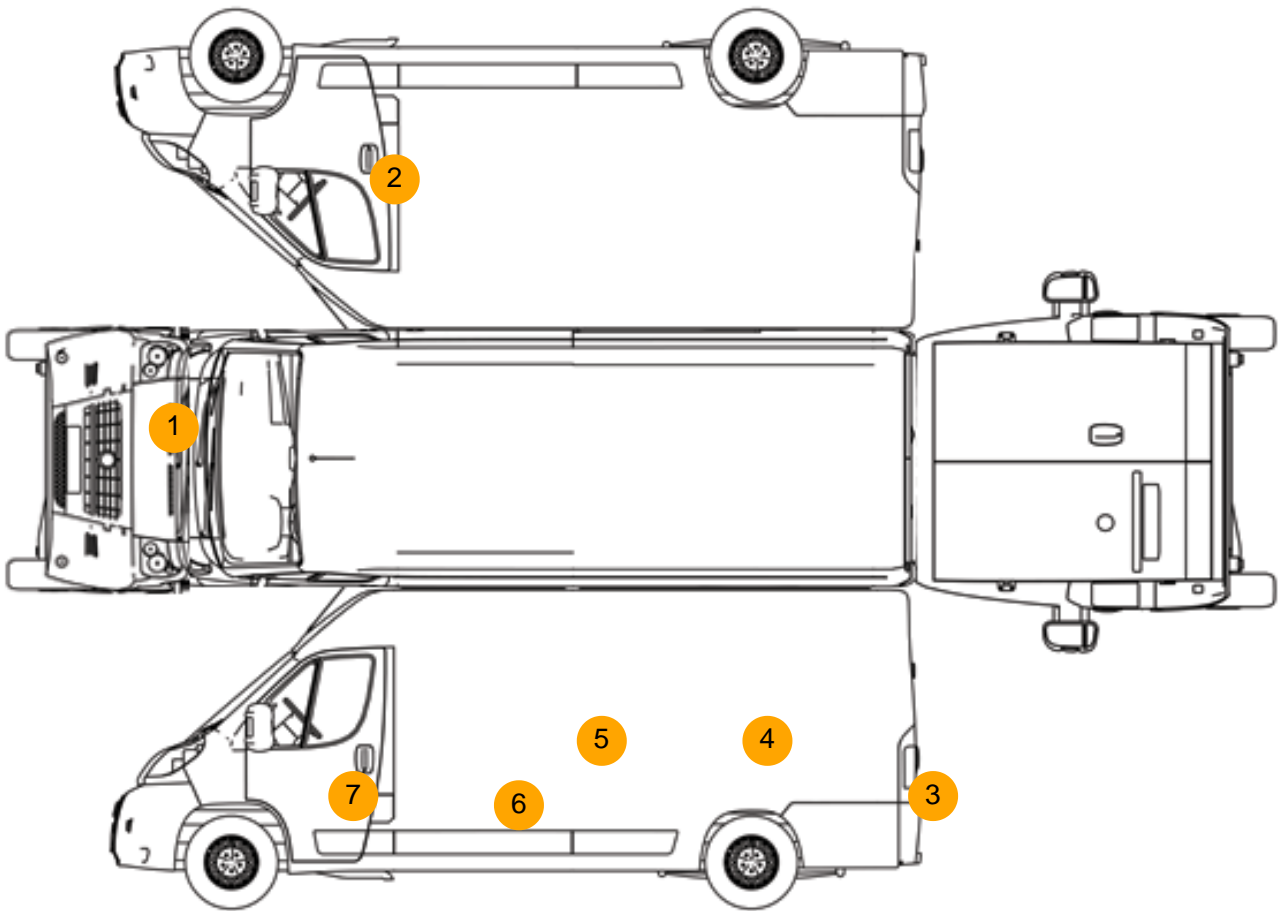
- Bluetooth connection
- Front electric windows
- Leather seat trim
- Rear parking sensor
- Drivers airbag
- Auxiliary input socket
- Passenger airbag
- Digital radio
- Central locking

Photos





Condition Check



Damage Photos



1: Door osf
Scratched
UpTo 25mm Thru Paint



2: Door osf
Chipped
Edge Chip



3: Bumper Rear Moulding
Scuffed (Unpainted)
Over 100mm

4: Panel Rear
Scratched
UpTo 25mm Not Thru Paint



5: Door nsr
Scratched
UpTo 25mm Thru Paint

6: Door nsr
Scratched
UpTo 25mm Not Thru Paint



7: Door nsf
Scratched
Over 25mm Thru Paint

8: Seat Base Cover osf
Torn
Over 3mm

Interior

Carpet Condition	Average	Upholstery Condition	Average
Seat Condition	Poor	Odour	No
Engine Runs	OK	Gearbox 1st and Reverse Test	OK
Brakes	OK	Clutch Slip Test from Static	OK
Turbo Boosting	OK	Gearbox Static Gear Selection (engine running)	OK
Parking Brake	OK	No Excessive Smoking	OK
EML light illuminated	OK	Oil warning light illuminated	OK
Airbag light illuminated	OK	DPF light illuminated	OK
ABS light illuminated	OK	Service indicator light illuminated	OK
Windows	OK	Radio	OK
		Steering	OK