



COMMERCIAL VEHICLE AUCTIONS LTD
THE UK'S MOST ESTABLISHED COMMERCIAL VEHICLE AUCTIONEERS

Carr Hill Industrial Estate
Doncaster
DN4 8DE

01302 732600 | cva.noreply@cva-auctions.co.uk

VEHICLE INSPECTION REPORT

PJ64AHC

Daf CF 400

Inspection

Serious Damage? No

Vehicle

VAT Plus VAT

V5 To Follow

Details

Reg. date	20/11/2014	Colour	WHITE	Gearbox	MANUAL
Year	2014	VIN	XLRTEM4100G045378	Axle Combi	4x2
Mileage	953,554 Km Warranted	Body Style	Tractor Unit	Rear Suspension	Air
Fuel Type	Diesel	MOT Due	30/06/2026		
GWW	28000kg	Cab Type	SLEEPER CAB		

SURROUND CAMERA SYSTEM

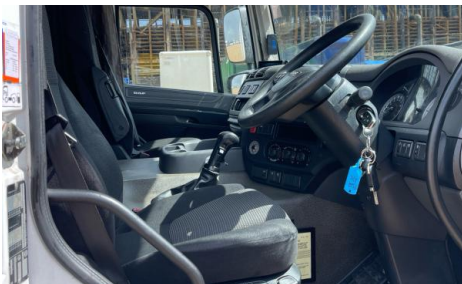
Tyres

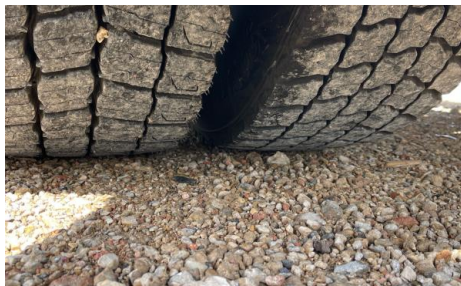
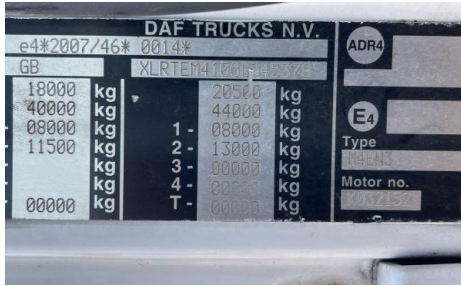
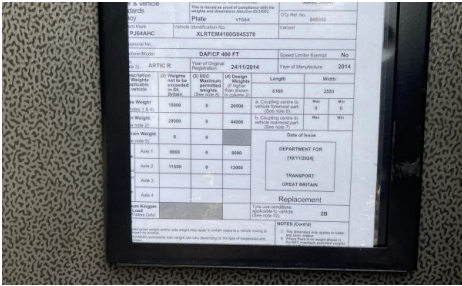
NSF	NSI1	NSI2	NSI3	NSI4
OSF	OSI1	OSI2	OSI3	OSI4
Spare	NSO1	NSO2	NSO3	NSO4
	OSO1	OSO2	OSO3	OSO4

Features

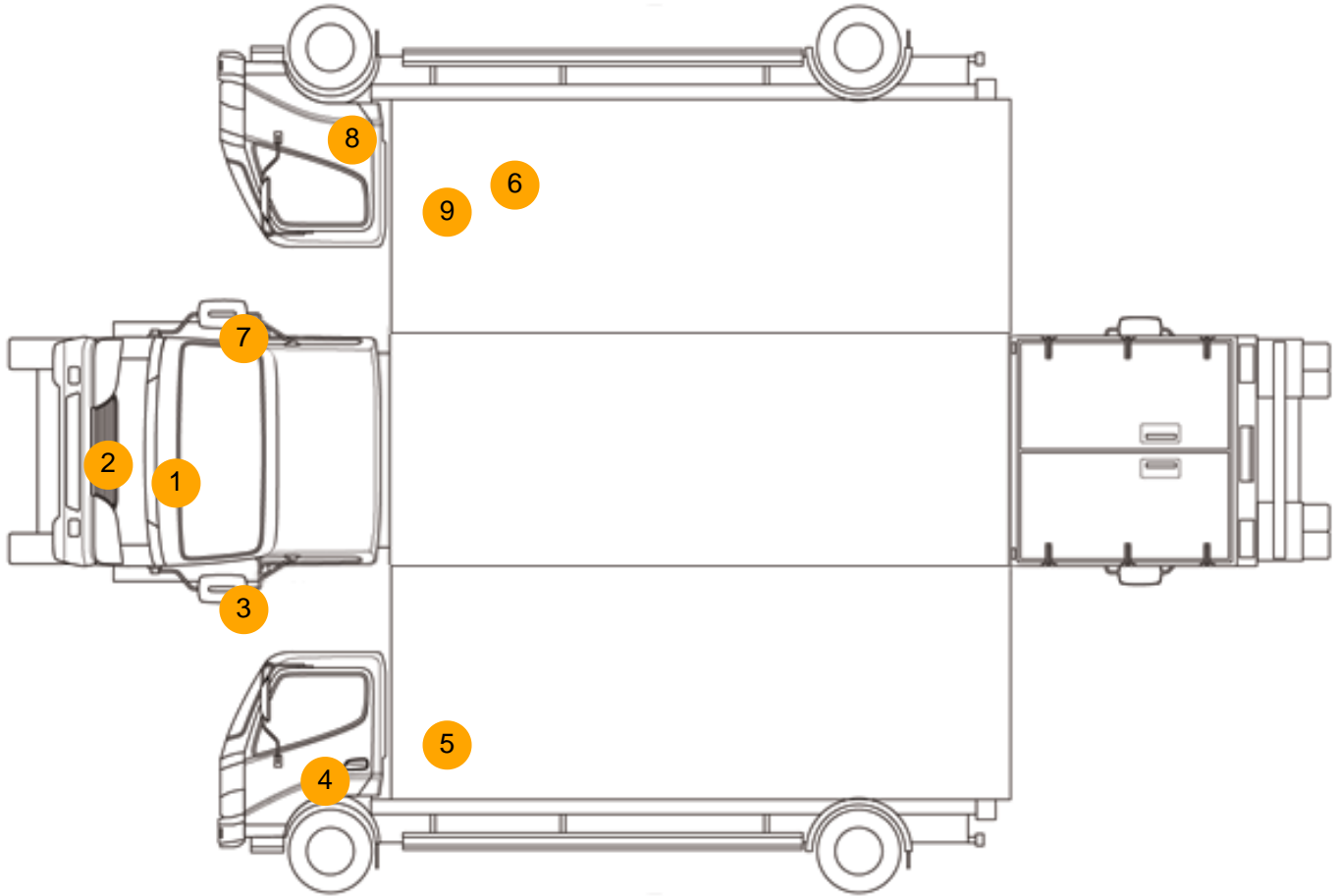
- Air conditioning

Photos





Condition Check

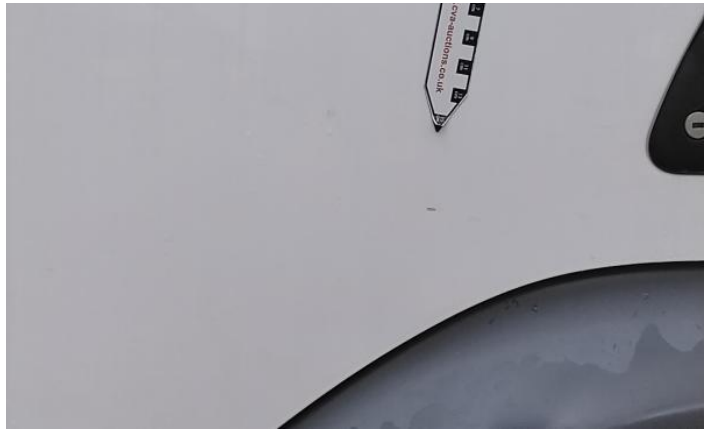


Damage Photos



1: Bonnet
Chipped
Multiple Chips

2: Bumper Front
Chipped
Multiple Chips



3: Door Mirror Assy nsf
Scuffed (Unpainted)
Over 100mm

4: Door nsf
Chipped
Over 5mm



5: Qtr Panel nsr
Scratched
Over 25mm Thru Paint

6: Qtr Panel osr
Cracked
Replace



7: Door Mirror Assy osf
Scuffed (Unpainted)
UpTo 100mm

8: Door osf
Scratched
Over 25mm Not Thru Paint



9: Qtr Panel osr
Rusted
Over 5mm

10: Carpets Front
Holed
Over 3mm



11: Door Pad osf
Holed
Over 3mm

Interior

Carpet Condition	Average	Upholstery Condition	Average
Seat Condition	Average	Odour	-
Engine Runs	OK	Gearbox 1st and Reverse Test	OK
Brakes	OK	Clutch Slip Test from Static	OK
Parking Brake	OK	Gearbox Static Gear Selection (engine running)	OK
		No Excessive Smoking	OK
EML light illuminated	OK	Oil warning light illuminated	OK
Airbag light illuminated	OK	DPF light illuminated	OK
ABS light illuminated	OK	Service indicator light illuminated	OK