



**COMMERCIAL VEHICLE AUCTIONS LTD**  
THE UK'S MOST ESTABLISHED COMMERCIAL VEHICLE AUCTIONEERS

Carr Hill Industrial Estate  
Doncaster  
DN4 8DE

01302 732600 | cva.noreply@cva-auctions.co.uk

# VEHICLE INSPECTION REPORT

**LT18XRY**

## Toyota Hilux ICON 2.4 D-4D

Inspection		Vehicle	
Serious Damage?	No	VAT	Plus VAT
		V5	Present

Details					
Reg. date	10/05/2018	Colour	WHITE	CAP Average	£3,875.00
Year	2018	VIN	AHTHB3CD702126473	CAP Below	£2,975.00
Mileage	240,440 Miles Warranted	Body Style	Pickup Double Cab	Gearbox	MANUAL
Fuel Type	Diesel	MOT Due	09/05/2027	Gears	6
GVW	3210kg	CAP Clean	£4,575.00	Axle Combi	4x4

### E/MIRRORS

### Tyres

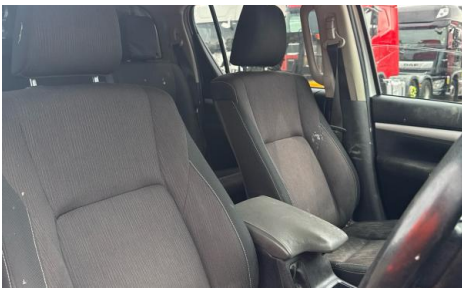
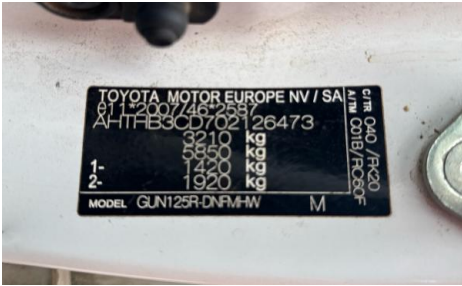
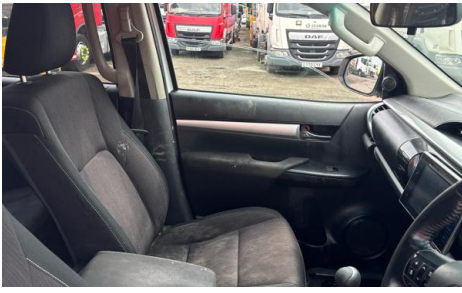
NSF
NSR
OSF
OSR
Spare

### Features

- Bluetooth connection
- Auxiliary input socket
- Rear electric windows
- Cloth seat trim
- Cruise control
- Digital radio
- Drivers airbag
- Park assist camera
- Air conditioning
- Passenger airbag
- Rear parking sensor
- Front electric windows
- Central locking

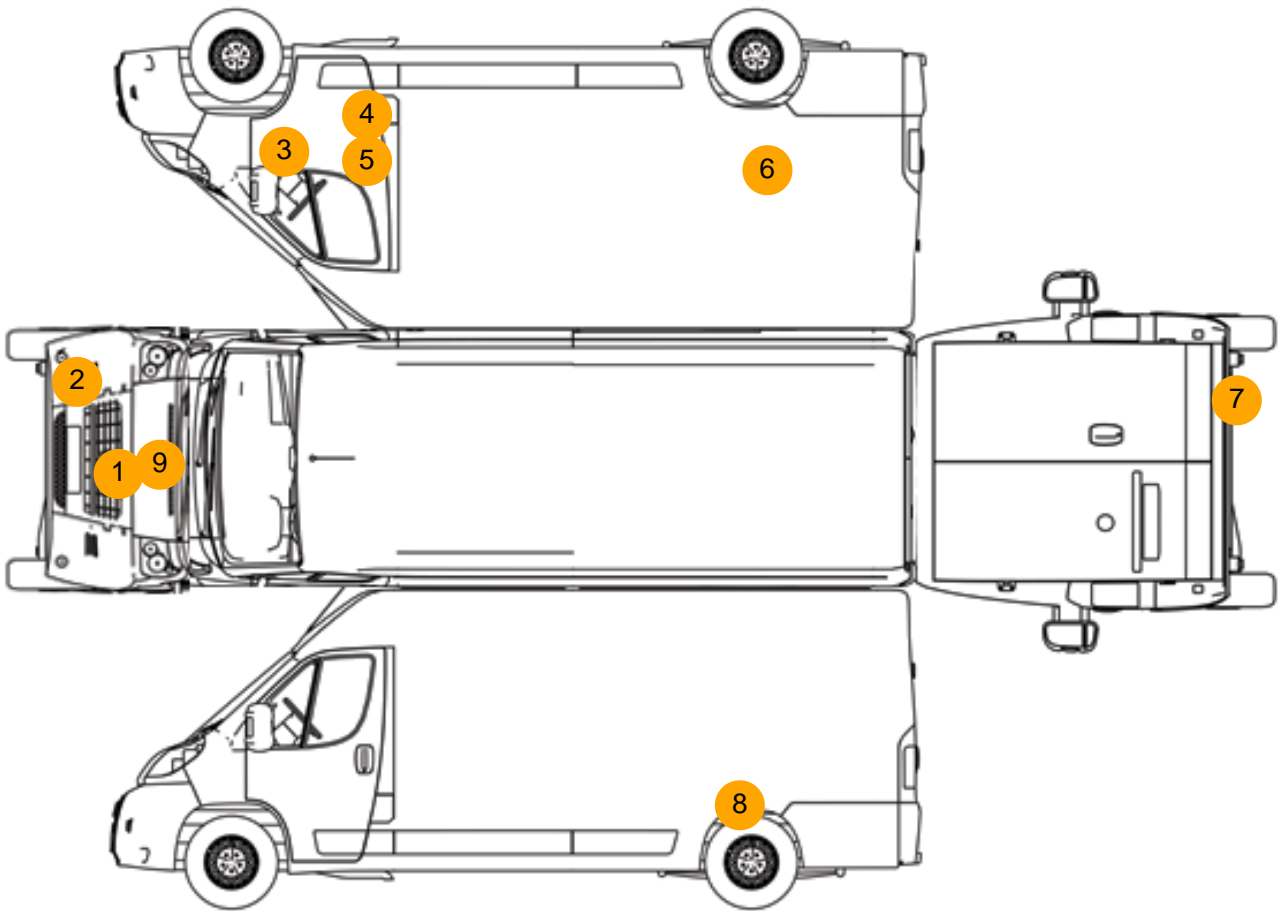
### Photos







## Condition Check



## Damage Photos



1: Bumper Front  
Scratched  
Over 100mm Thru Paint



2: Bumper Front  
Scratched  
25 to 100mm Thru Paint



3: Wing osf  
Rusted  
Over 5mm

4: Sill os  
Scratched  
Over 25mm Thru Paint



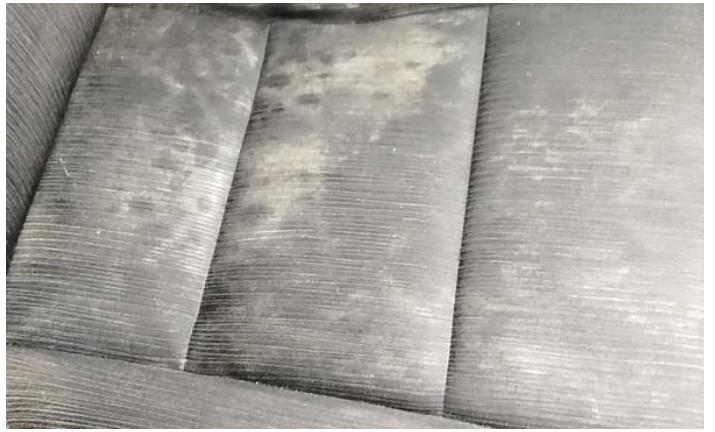
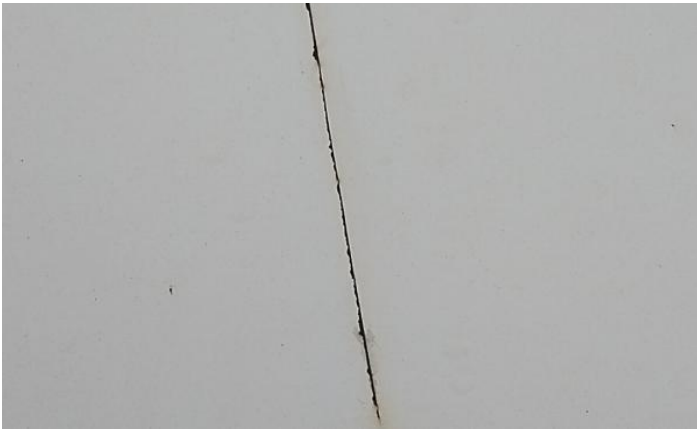
5: Door osf  
Scratched  
Over 25mm Thru Paint

6: Qtr Panel osr  
Rusted  
Over 5mm



7: Bumper Rear  
Dented  
Over 30mm

8: Qtr Panel osr  
Scratched  
Over 25mm Not Thru Paint



9: Bonnet  
Scratched  
Rusted

10: Seat Base Cover osf  
Soiled  
Heavy



11: Seat Base Cover nsr  
Soiled  
Light

12: Seat Base Cover osr  
Soiled  
Light

## Interior

Carpet Condition	Average	Upholstery Condition	Average
Seat Condition	Poor	Odour	No
Engine Runs	OK	Gearbox 1st and Reverse Test	OK
Brakes	OK	Clutch Slip Test from Static	OK
Turbo Boosting	OK	Gearbox Static Gear Selection (engine running)	OK
Parking Brake	OK	No Excessive Smoking	OK
EML light illuminated	OK	Oil warning light illuminated	OK
Airbag light illuminated	OK	DPF light illuminated	OK
ABS light illuminated	OK	Service indicator light illuminated	OK

Windows

OK

Radio

OK

Steering

OK