



COMMERCIAL VEHICLE AUCTIONS LTD
THE UK'S MOST ESTABLISHED COMMERCIAL VEHICLE AUCTIONEERS

Carr Hill Industrial Estate
Doncaster
DN4 8DE

01302 732600 | cva.noreply@cva-auctions.co.uk

VEHICLE INSPECTION REPORT

LO67NTX

Toyota Hilux 2.4 D-4D

Inspection

Serious Damage? No

Vehicle

VAT Plus VAT

V5 Present

Details

Reg. date 29/12/2017

Year 2017

Mileage 193,436 Miles
Warranted

Fuel Type Diesel

GVW 3210kg

Colour RED

VIN AHTHB3CD702122455

Body Style Pickup Double Cab

MOT Due 04/09/2026

CAP Clean £6,400.00

CAP Average £5,350.00

CAP Below £3,925.00

Gearbox AUTOMATIC

Gears 6

Axle Combi 4x4

E/MIRRORS

Tyres

NSF

NSR

OSF

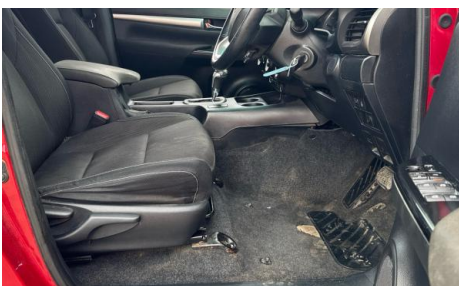
OSR

Spare

Features

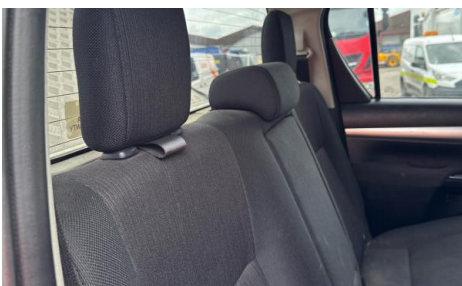
- Bluetooth connection
- Digital radio
- Drivers airbag
- Cruise control
- Air conditioning
- Passenger airbag
- Park assist camera
- Front electric windows
- Central locking
- Auxiliary input socket
- Rear electric windows
- Cloth seat trim

Photos



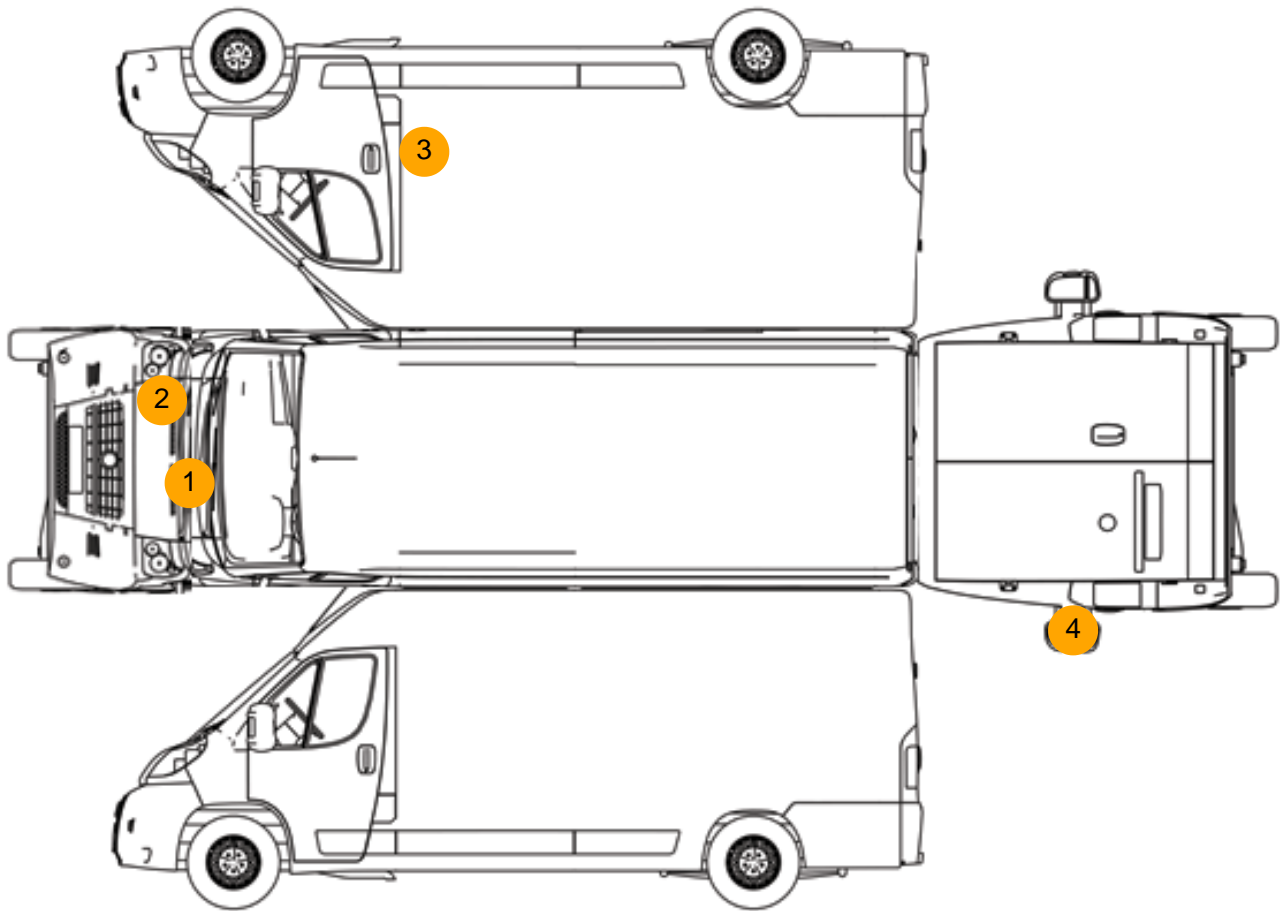


TOYOTA MOTOR EUROPE NV / SA
 6112007467587
 A-HTB3CD702122455
 3210 1999g
 1300 1999g
 1920 1999g
 MODEL GUN125R-DN1M-HW M





Condition Check



Damage Photos



1: Bonnet
Dented
With Paint Damage

2: Bumper Front
Cracked
Up To 25mm



3: Door osf
Chipped
Edge Chip

4: Panel Rear
Scratched
Over 25mm Not Thru Paint

Interior

Carpet Condition

OK

Upholstery Condition

OK

Seat Condition

OK

Odour

No

Engine Runs	OK	Gearbox 1st and Reverse Test	OK
Brakes	OK	Clutch Slip Test from Static	OK
Turbo Boosting	OK	Gearbox Static Gear Selection (engine running)	OK
Parking Brake	OK	No Excessive Smoking	OK
EML light illuminated	OK	Oil warning light illuminated	OK
Airbag light illuminated	OK	DPF light illuminated	OK
ABS light illuminated	OK	Service indicator light illuminated	OK
Windows	OK	Radio	OK
		Steering	OK