



COMMERCIAL VEHICLE AUCTIONS LTD
THE UK'S MOST ESTABLISHED COMMERCIAL VEHICLE AUCTIONEERS

Carr Hill Industrial Estate
Doncaster
DN4 8DE

01302 732600 | cva.noreply@cva-auctions.co.uk

VEHICLE INSPECTION REPORT

LP69LPO

Volkswagen Crafter CR35 2.0 TDI 140PS TRENDLINE

Inspection		Vehicle	
Serious Damage?	No	VAT	Plus VAT
		V5	Present

Details					
Reg. date	06/02/2020	Colour	GREEN	CAP Average	£4,850.00
Year	2020	VIN	WV1ZZZSYZL9026754	CAP Below	£3,900.00
Mileage	200,818 Miles Warranted	Body Style	Panel Van MWB	Gearbox	MANUAL
Fuel Type	Diesel	MOT Due	05/02/2027	Gears	6
GVW	3500kg	CAP Clean	£5,525.00		

WARNING LIGHTS ON DASH AD-BLUE, E/ MIRRORS

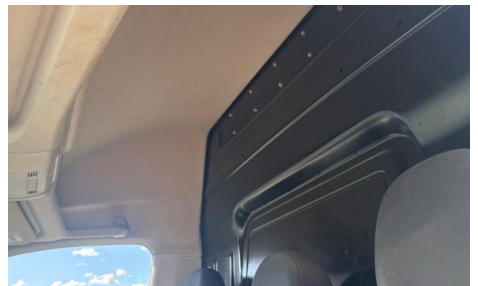
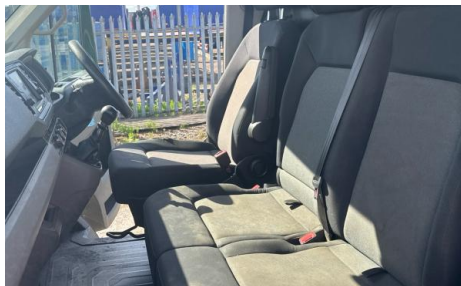
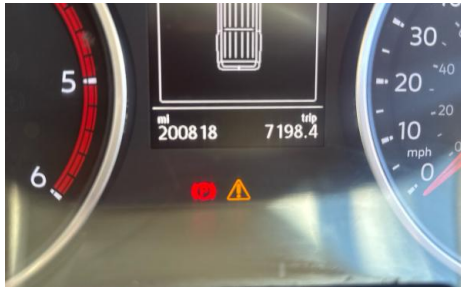
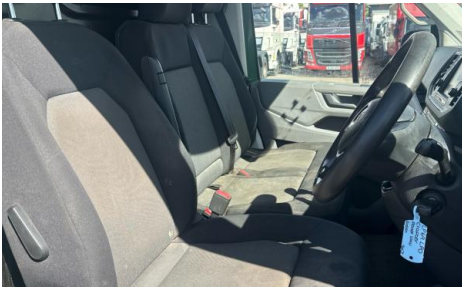
Tyres
NSF
NSR
OSF
OSR
Spare

Features

- Bluetooth connection
- Rear parking sensor
- Front electric windows
- Cruise control
- Auxiliary input socket
- Drivers airbag
- Front parking sensor
- Digital radio
- Central locking
- Park assist camera
- Air conditioning
- Cloth seat trim

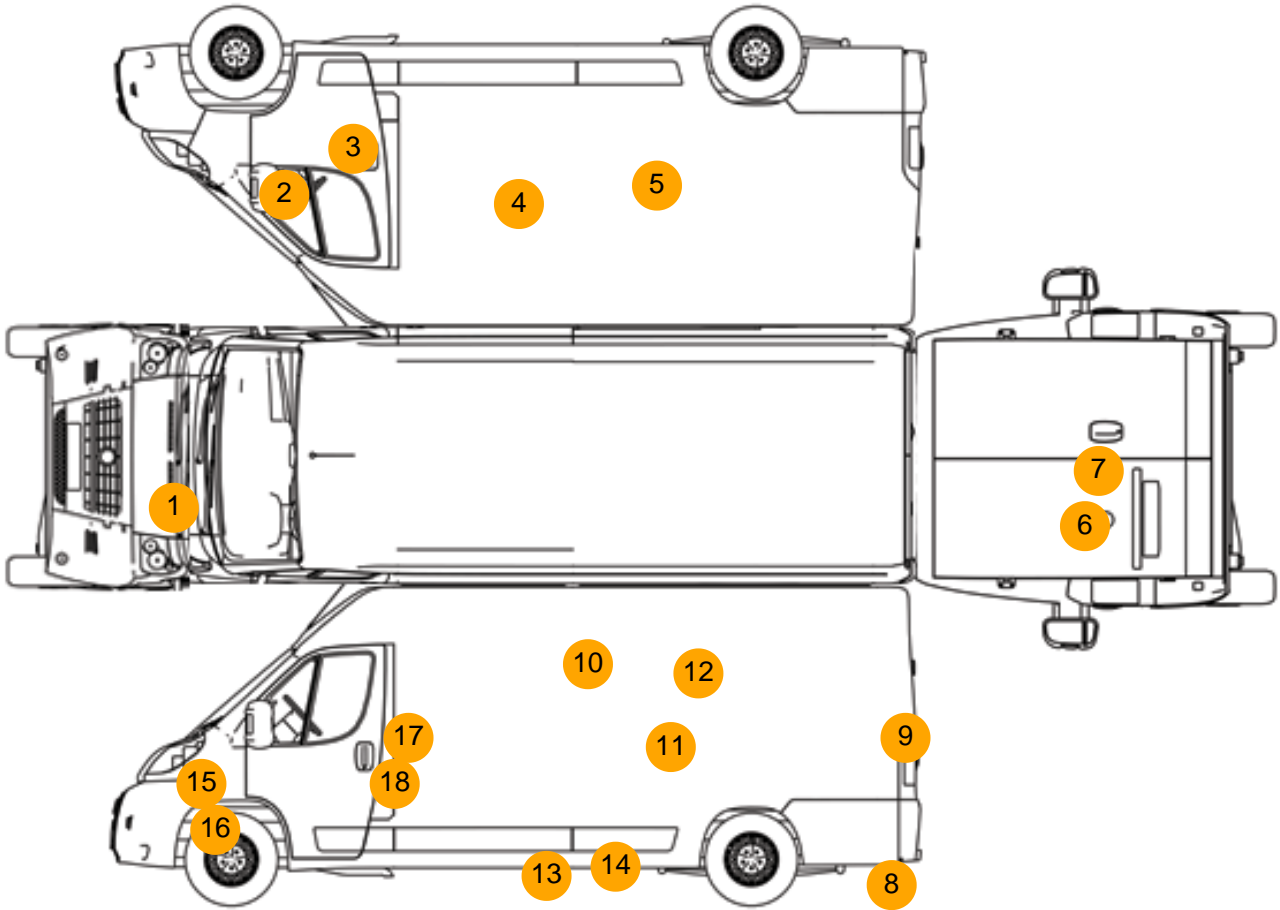
Photos







Condition Check



Damage Photos



1: Bonnet
Chipped
Over 5mm

2: Door Mirror Assy nsf
Scuffed (Unpainted)
UpTo 100mm



3: Door nsf
Chipped
Over 5mm

4: Panel Rear
Scratched
UpTo 25mm Thru Paint



5: Panel Rear
Scratched
Over 25mm Thru Paint

6: Door nsr
Scratched
Over 25mm Not Thru Paint



7: Door osr
Scratched
Over 25mm Not Thru Paint

8: Bumper Rear
Scratched
Over 100mm Thru Paint



9: Panel Rear
Scratched
Over 25mm Not Thru Paint

10: Panel Rear
Scratched
Over 25mm Not Thru Paint



11: Panel Rear
Scratched
Up To 25mm Thru Paint

12: Panel Rear
Chipped
1 To 5



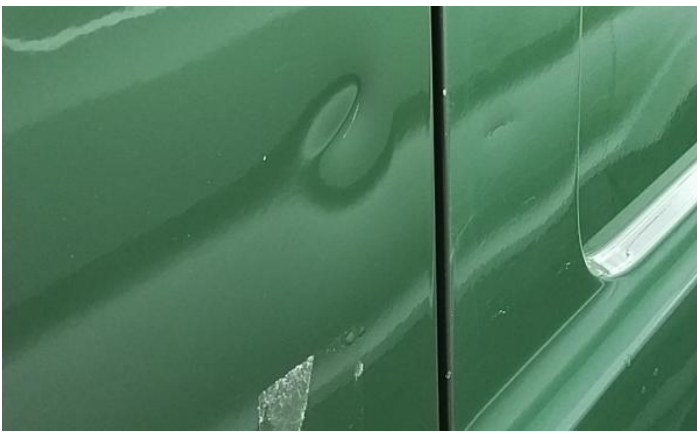
13: Sill Panel Trim ns
Scuffed (Unpainted)
Over 100mm

14: Sill ns
Dented
With Paint Damage



15: Wing nsf
Scratched
Over 25mm Thru Paint

16: Bumper Front Moulding
Scuffed (Unpainted)
UpTo 100mm



17: Door nsf
Dented
2 Or Less UpTo 10mm

18: Door nsf
Chipped
Edge Chip



19: Seat Base Cover osf
Torn
Over 3mm

20: Seat Base Cover nsf
Torn
Over 3mm



21: Seat Base Cover nsf
Soiled
Heavy

Interior

Carpet Condition	Average	Upholstery Condition	Average
Seat Condition	Poor	Odour	No
Engine Runs	OK	Gearbox 1st and Reverse Test	OK
Brakes	OK	Clutch Slip Test from Static	OK
Turbo Boosting	OK	Gearbox Static Gear Selection (engine running)	OK
Parking Brake	OK	No Excessive Smoking	OK
EML light illuminated	Fault	Oil warning light illuminated	OK
Airbag light illuminated	OK	DPF light illuminated	OK
ABS light illuminated	OK	Service indicator light illuminated	OK
Windows	OK	Radio	OK
		Steering	OK