



COMMERCIAL VEHICLE AUCTIONS LTD
THE UK'S MOST ESTABLISHED COMMERCIAL VEHICLE AUCTIONEERS

Carr Hill Industrial Estate
Doncaster
DN4 8DE

01302 732600 | cva.noreply@cva-auctions.co.uk

VEHICLE INSPECTION REPORT

LN17EHR

Mitsubishi Fuso Canter 7C15 34

Inspection		Vehicle	
Serious Damage?	No	VAT	Plus VAT
		V5	Present

Details					
Reg. date	15/06/2017	Colour	WHITE	Gearbox	AUTOMATIC
Year	2017	VIN	TYAFEB71ERDZ02096	Axle Combi	4x2
Mileage	128,418 Km Warranted	Body Style	RECYCLING UNIT	Rear Suspension	Steel
Fuel Type	Diesel	MOT Due	31/10/2026		
GVM	7490kg	Cab Type	DAY CAB		

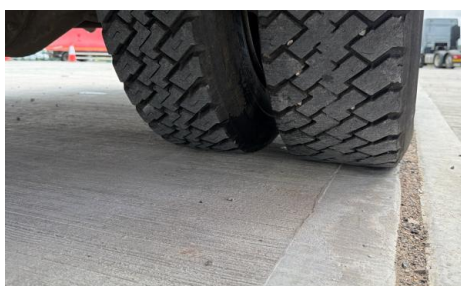
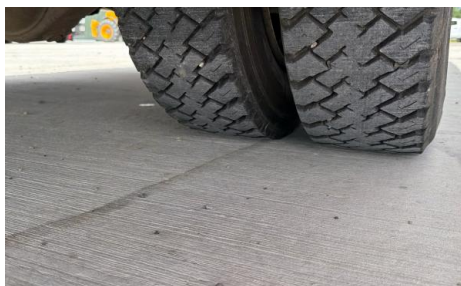
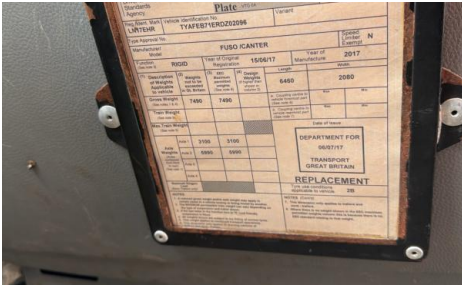
Tyres				
NSF	NSI1	NSI2	NSI3	NSI4
OSF	OSI1	OSI2	OSI3	OSI4
Spare	NSO1	NSO2	NSO3	NSO4
	OSO1	OSO2	OSO3	OSO4

Features

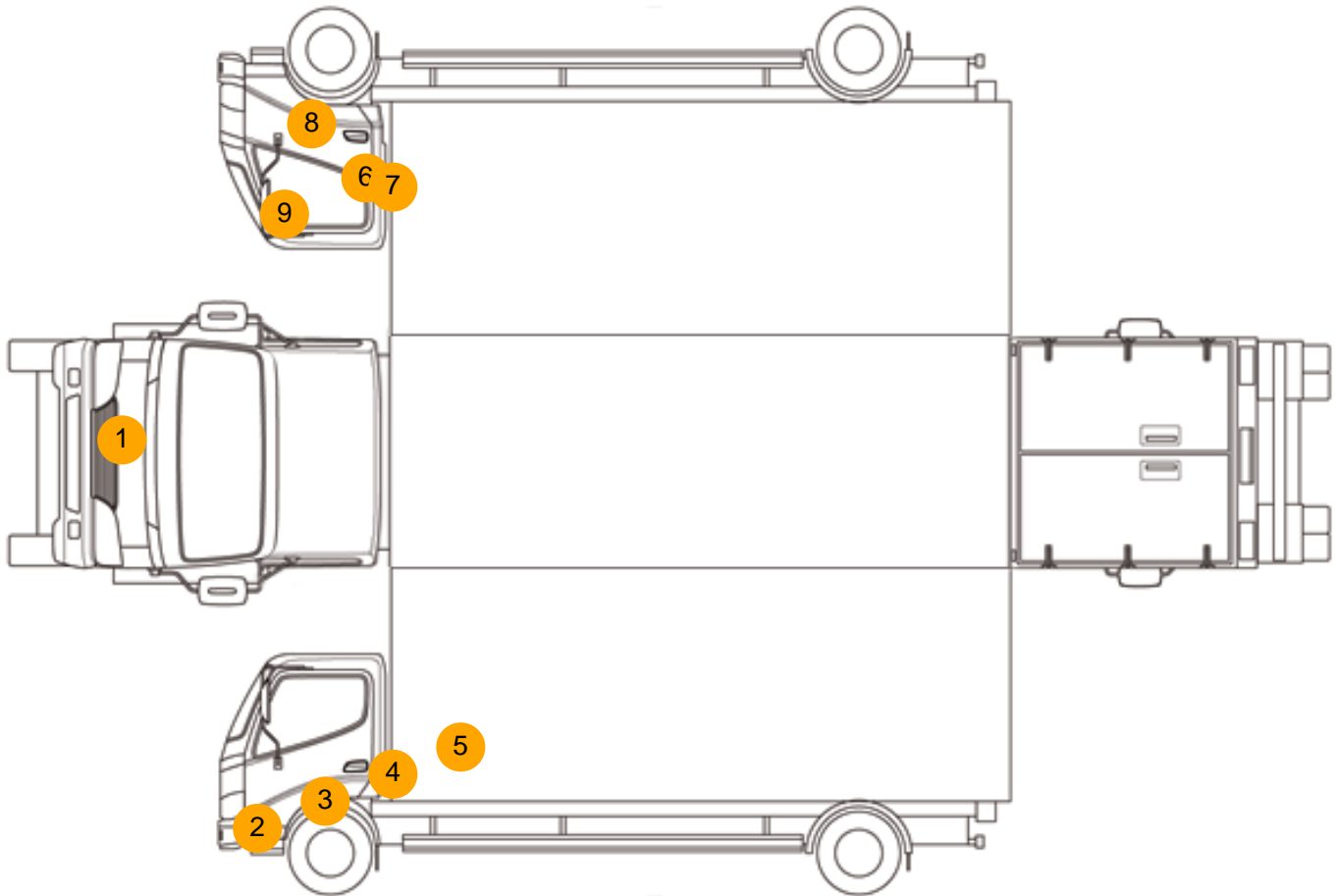
- Cruise control
- Radio/CD
- Front electric windows
- Drivers airbag
- Central locking
- Cloth seat trim

Photos





Condition Check



Damage Photos



1: Bonnet
Chipped
Multiple Chips

2: Bumper Front
Scratched
Over 100mm Thru Paint



3: Door nsf
Chipped
Multiple Chips

4: Door nsf
Dented
With Paint Damage



5: Qtr Panel nsr
Scratched
Over 25mm Thru Paint

6: Door osf
Dented
With Paint Damage



7: Door osf
Chipped
Multiple Chips

8: Door osf
Scratched
Over 25mm Thru Paint



9: Door Mirror Assy of
Scratched (Painted)
Over 25mm Thru Paint

10: Aerial
Broken
Replace



11: Carpets Front
Holed
Over 3mm

12: Fascia Panel
Missing
Replace



13: General Interior
Soiled
Light

14: Centre Console Front
Holed
Over 3mm

Interior

Carpet Condition	Average	Upholstery Condition	Average	
Seat Condition	Average	Odour	-	
Engine Runs		OK	No Excessive Smoking	OK
ABS light illuminated		OK	DPF light illuminated	OK