



COMMERCIAL VEHICLE AUCTIONS LTD
THE UK'S MOST ESTABLISHED COMMERCIAL VEHICLE AUCTIONEERS

Carr Hill Industrial Estate
Doncaster
DN4 8DE

01302 732600 | cva.noreply@cva-auctions.co.uk

VEHICLE INSPECTION REPORT

LN17EHT

FUSO Canter 7C15 34

Inspection

Serious Damage? No

Vehicle

VAT Plus VAT

V5 Present

Details

Reg. date	31/05/2017	Colour	WHITE	Gearbox	AUTOMATIC
Year	2017	VIN	TYAFEB71ERDZ02190	Axle Combi	4x2
Mileage	217,978 Km Warranted	Body Style	Recycling Unit	Rear Suspension	Steel
Fuel Type	Diesel	MOT Due	Expired		
GVW	7490kg	Cab Type	DAY CAB		

WARNING LIGHT ON DASH

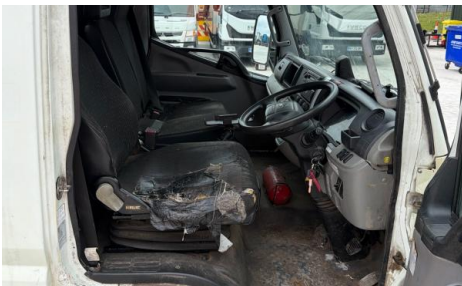
Tyres

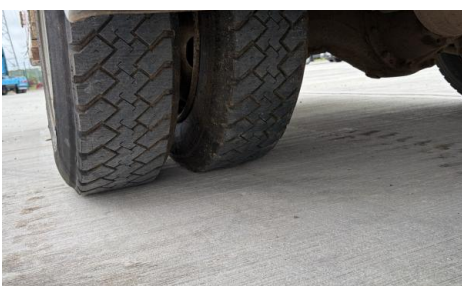
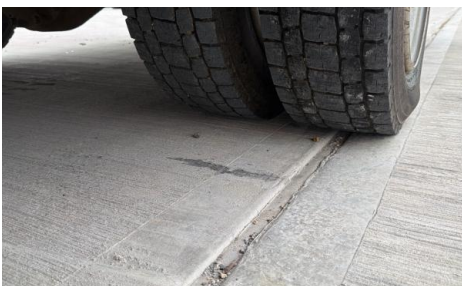
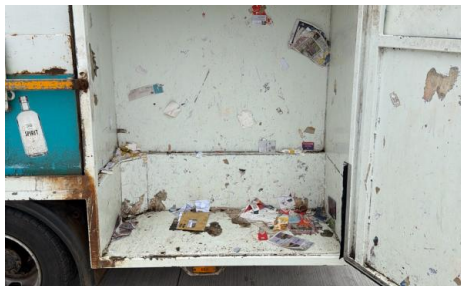
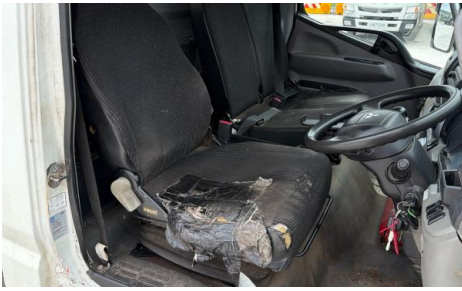
NSF	NSI1	NSI2	NSI3	NSI4
OSF	OSI1	OSI2	OSI3	OSI4
Spare	NSO1	NSO2	NSO3	NSO4
	OSO1	OSO2	OSO3	OSO4

Features

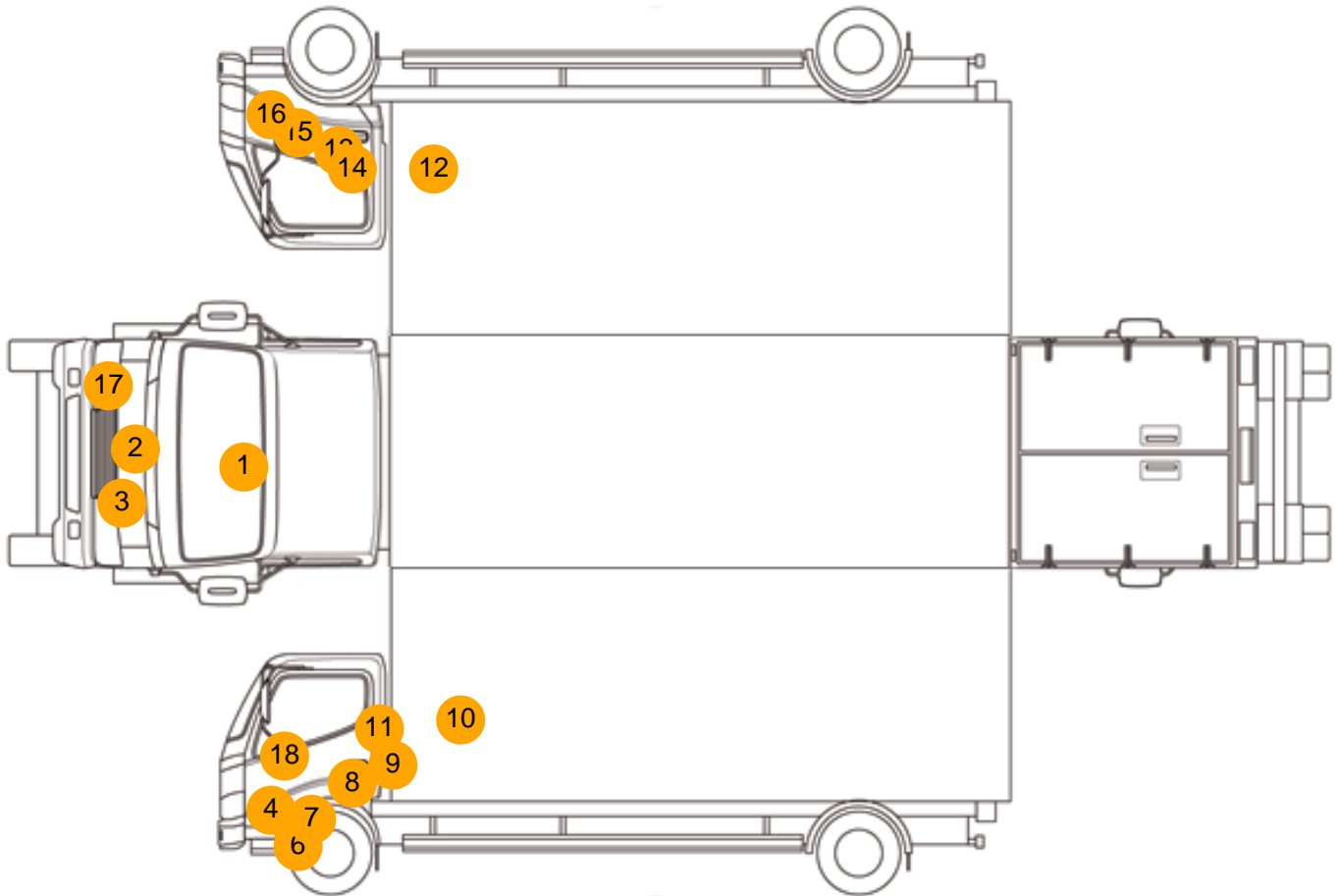
- Cruise control
- Radio/CD
- Front electric windows
- Drivers airbag
- Central locking
- Cloth seat trim

Photos





Condition Check



Damage Photos



1: Screen Front
Chipped
Over 10mm



2: Bonnet
Chipped
Multiple Chips



3: Bumper Front Grill
Broken
Replace

4: Bumper Front
Scratched
Over 100mm Thru Paint



5: Door nsf
Scratched
Rusted

6: Reflector nsr
Broken
Replace



7: Door nsf
Dented
With Paint Damage

8: Door nsf
Scratched
Over 25mm Thru Paint



9: Door nsf
Chipped
Multiple Chips

10: Qtr Panel nsr
Dented
With Paint Damage



11: Qtr Panel nsr
Dented
With Paint Damage

12: Qtr Panel osr
Dented
With Paint Damage



13: Door osf
Scratched
Over 25mm Thru Paint

14: Door osf
Dented
Over 30mm



15: Door osf
Dented
Hail - Severe

16: Wing osf
Poor Previous Repair
Poor Colour



17: Bumper Front
Scratched
Over 100mm Thru Paint

18: Aerial
Broken
Replace



19: Seat Base Cover osf
Holed
Over 3mm

20: Carpets Front
Holed
Over 3mm



21: Switches And Controls
Missing
Replace



22: General Interior
Soiled
Light



23: Centre Console Front
Broken
Replace



24: Seat Base Cover nsf
Holed
Over 3mm



25: Dash Warning Lights
Displayed
No Action

Interior

Carpet Condition	Poor	Upholstery Condition	Poor
Seat Condition	Poor	Odour	-
Engine Runs	OK	No Excessive Smoking	OK
EML light illuminated	OK	Oil warning light illuminated	Fault
ABS light illuminated	OK	DPF light illuminated	OK