



COMMERCIAL VEHICLE AUCTIONS LTD
THE UK'S MOST ESTABLISHED COMMERCIAL VEHICLE AUCTIONEERS

Carr Hill Industrial Estate
Doncaster
DN4 8DE

01302 732600 | cva.noreply@cva-auctions.co.uk

VEHICLE INSPECTION REPORT

LN67WPU

Ford Transit 350 2.0 TDCI 130PS

Inspection

Serious Damage? No

Vehicle

VAT Plus VAT

V5 Present

Details

Reg. date 30/09/2017

Year 2017

Mileage 79,387 Miles
Warranted

Fuel Type Diesel

GVW 3500kg

Colour GREEN

VIN WF0XXXTTGXHB76121

Body Style Panel Van L3

MOT Due Expired

CAP Clean £5,850.00

CAP Average £4,875.00

CAP Below £3,600.00

Gearbox MANUAL

Gears 6

WARNING LIGHTS ON DASH AD-BLUE

Tyres

NSF

NSR

OSF

OSR

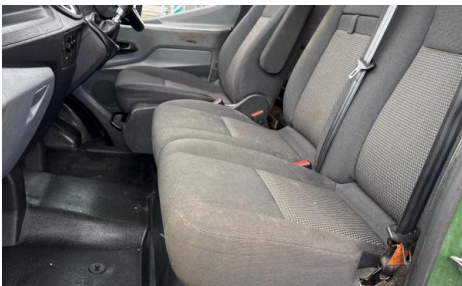
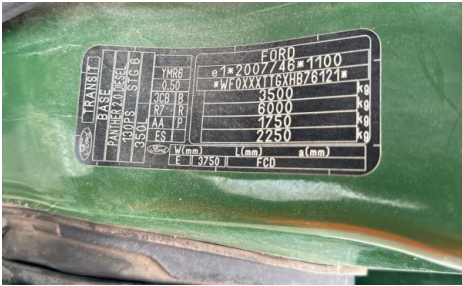
Spare

Features

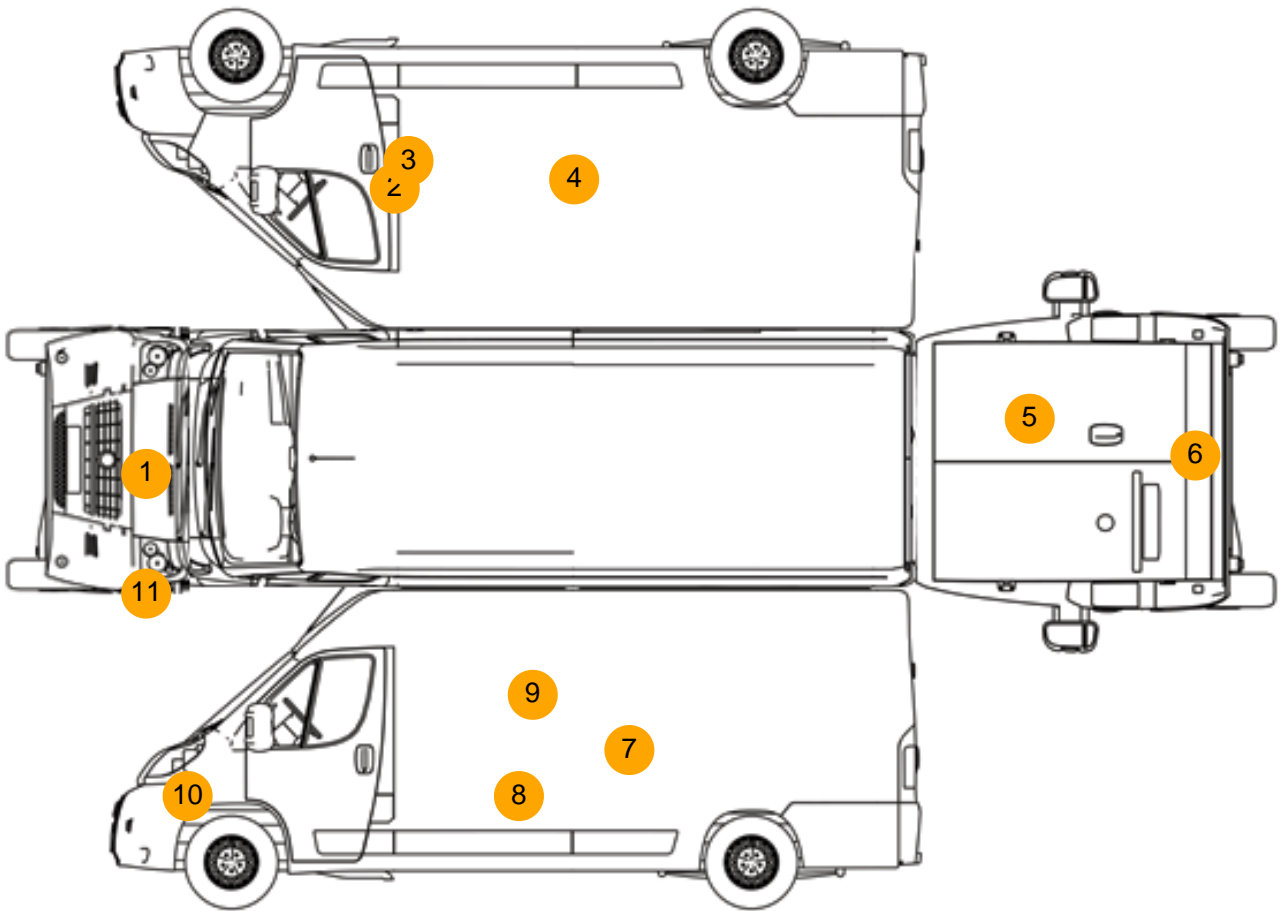
- Bluetooth connection
- Front electric windows
- Park assist camera
- Drivers airbag
- Auxiliary input socket
- Central locking
- Digital radio
- Cloth seat trim

Photos

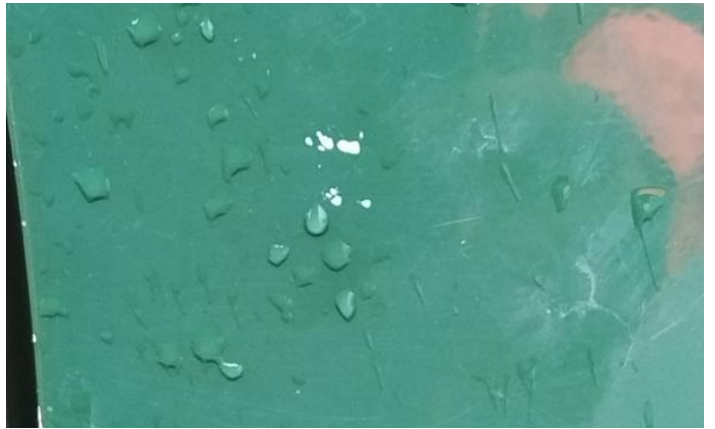




Condition Check



Damage Photos



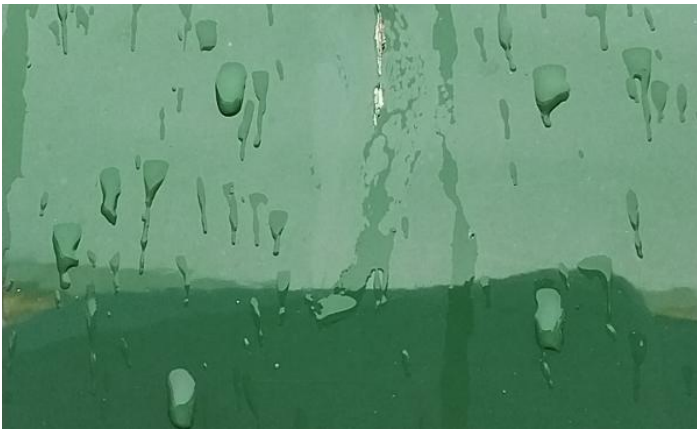
1: Bonnet
Scratched
UpTo 25mm Thru Paint

2: Door osf
Scratched
UpTo 25mm Thru Paint



3: Door osf
Chipped
Edge Chip

4: Panel Rear
Scratched
UpTo 25mm Not Thru Paint



5: Door osr
Scratched
Over 25mm Thru Paint

6: Door osr
Scratched
UpTo 25mm Thru Paint



7: Panel Rear
Dented
Between 10mm + 30mm

8: Panel Rear
Dented
Between 10mm + 30mm



9: Panel Rear
 Scratched
 Over 25mm Not Thru Paint

10: Bumper Front
 Scratched
 Over 25mm Not Thru Paint



11: Bumper Front
 Scratched
 Over 100mm Thru Paint

Interior

Carpet Condition	OK	Upholstery Condition	OK
Seat Condition	OK	Odour	No
Engine Runs	OK	Gearbox 1st and Reverse Test	OK
Brakes	OK	Clutch Slip Test from Static	OK
Turbo Boosting	OK	Gearbox Static Gear Selection (engine running)	OK
Parking Brake	OK	No Excessive Smoking	OK
EML light illuminated	Fault	Oil warning light illuminated	OK
Airbag light illuminated	OK	DPF light illuminated	Fault
ABS light illuminated	OK	Service indicator light illuminated	Fault

Windows

OK

Radio

OK

Steering

OK