



COMMERCIAL VEHICLE AUCTIONS LTD
THE UK'S MOST ESTABLISHED COMMERCIAL VEHICLE AUCTIONEERS

Carr Hill Industrial Estate
 Doncaster
 DN4 8DE

01302 732600 | cva.noreply@cva-auctions.co.uk

VEHICLE INSPECTION REPORT

RE13YPM

Daf LF 45.140

Inspection		Vehicle	
Serious Damage?	No	VAT	Plus VAT
		V5	To Follow

Details					
Reg. date	01/08/2013	VIN	XLRAE45FF0L423987	Axle Combi	4x2
Year	2013	Body Style	Curtainside	Rear Suspension	Steel
Mileage	327,592 Km Warranted	MOT Due	31/10/2026	Rear Doors	Roller
Fuel Type	Diesel	Cab Type	DAY CAB	Tail Lift	Column
Colour	WHITE	Gearbox	AUTOMATIC		

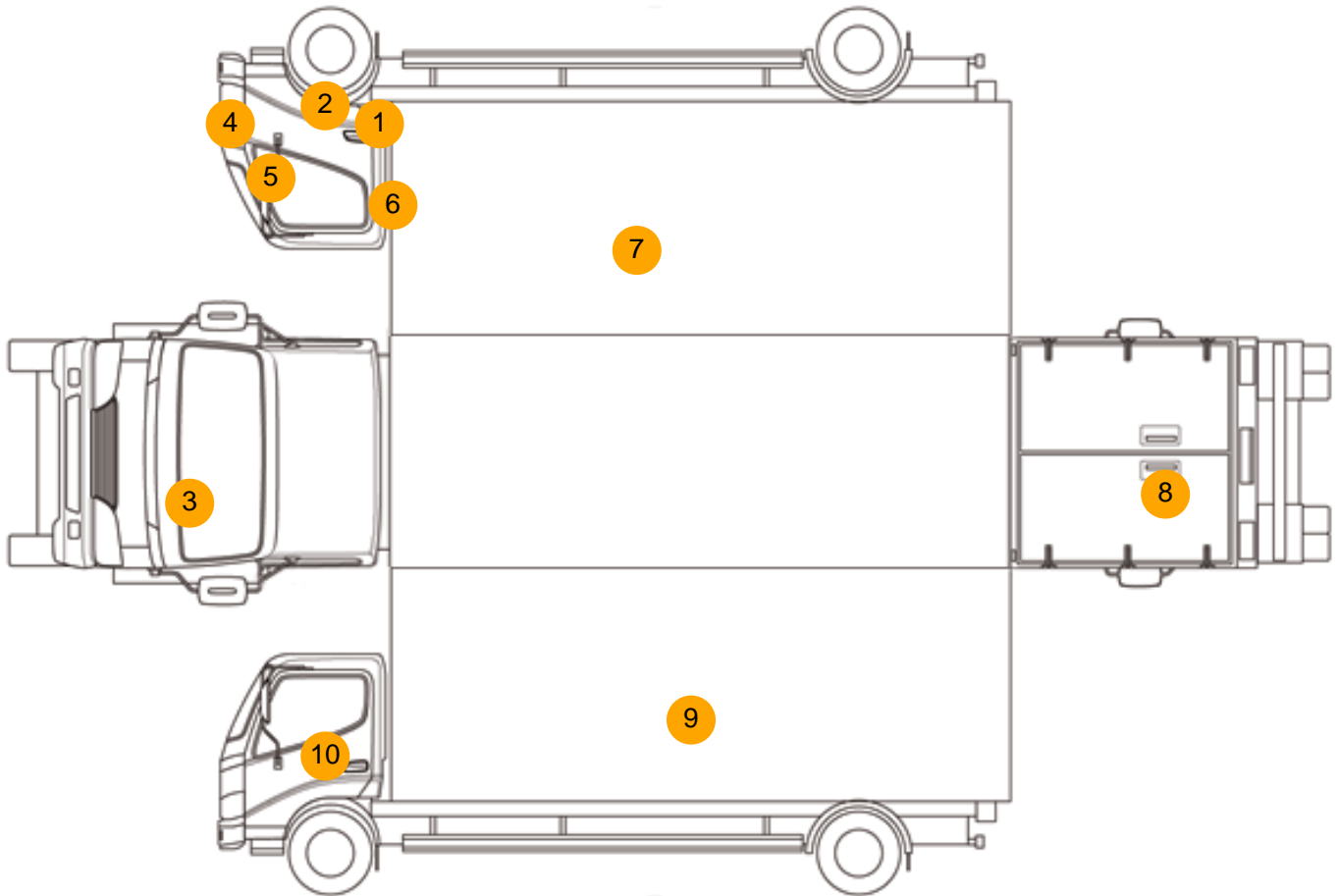
WARNING LIGHT ON DASH

Tyres				
NSF	NSI1	NSI2	NSI3	NSI4
OSF	OSI1	OSI2	OSI3	OSI4
Spare	NSO1	NSO2	NSO3	NSO4
	OSO1	OSO2	OSO3	OSO4

Features

- Radio/CD

Condition Check



Damage Photos



1: Sill os
Rusted
Over 5mm

2: Door Moulding osf
Scuffed (Unpainted)
Over 100mm



3: Bonnet
Chipped
Multiple Chips

4: Bumper Front Moulding
Scuffed (Unpainted)
Over 100mm



5: Wing osf
Cracked
Replace

6: Door osf
Dented
With Paint Damage



7: Qtr Panel osr
Hole
Over 10mm

8: Tailgate
Rusted
Over 5mm



9: Qtr Panel nsr
Hole
Over 10mm

10: Door nsf
Dented
Over 30mm

Interior

Carpet Condition	Average	Upholstery Condition	Average
Seat Condition	Average	Odour	-
Engine Runs	OK	Gearbox 1st and Reverse Test	OK
Brakes	OK	Clutch Slip Test from Static	OK
Turbo Boosting	OK	Gearbox Static Gear Selection (engine running)	OK
Parking Brake	OK	No Excessive Smoking	OK
EML light illuminated	OK	Oil warning light illuminated	OK
Airbag light illuminated	OK	DPF light illuminated	OK
ABS light illuminated	Fault	Service indicator light illuminated	OK
Windows	OK	Radio	OK
		Steering	OK