



COMMERCIAL VEHICLE AUCTIONS LTD
THE UK'S MOST ESTABLISHED COMMERCIAL VEHICLE AUCTIONEERS

Carr Hill Industrial Estate
Doncaster
DN4 8DE

01302 732600 | cva.noreply@cva-auctions.co.uk

VEHICLE INSPECTION REPORT

SL72YGN

Ford Transit 350 2.0 EcoBlue 130PS Leader

Cat: S
Inspection

Inspection		Vehicle	
Serious Damage?	No	VAT	Plus VAT
		V5	Buyer To Apply

Details

Reg. date	31/12/2022	Colour	WHITE	CAP Average	£10,800.00
Year	2022	VIN	WF0EXXTTRENB39941	CAP Below	£9,075.00
Mileage	61,394 Miles Not Warranted	Body Style	Panel Van L3	Gearbox	MANUAL
Fuel Type	Diesel	MOT Due	22/09/2026	Gears	6
GVW	3500kg	CAP Clean	£11,900.00		

Category S Insurance Loss. Vehicle Structurally Damaged But Repairable-Insurer Decided Not to Repair.
WARNING LIGHT ON DASH, OUTSTANDING RECALL SIDE LOAD DOOR, AD-BLUE.

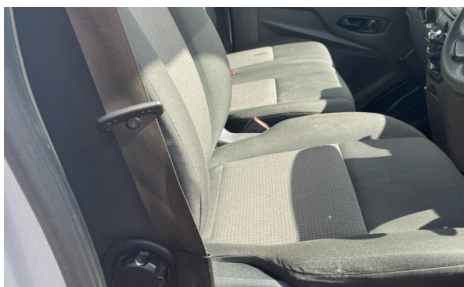
Tyres

NSF	
NSR	
OSF	
OSR	
Spare	

Features

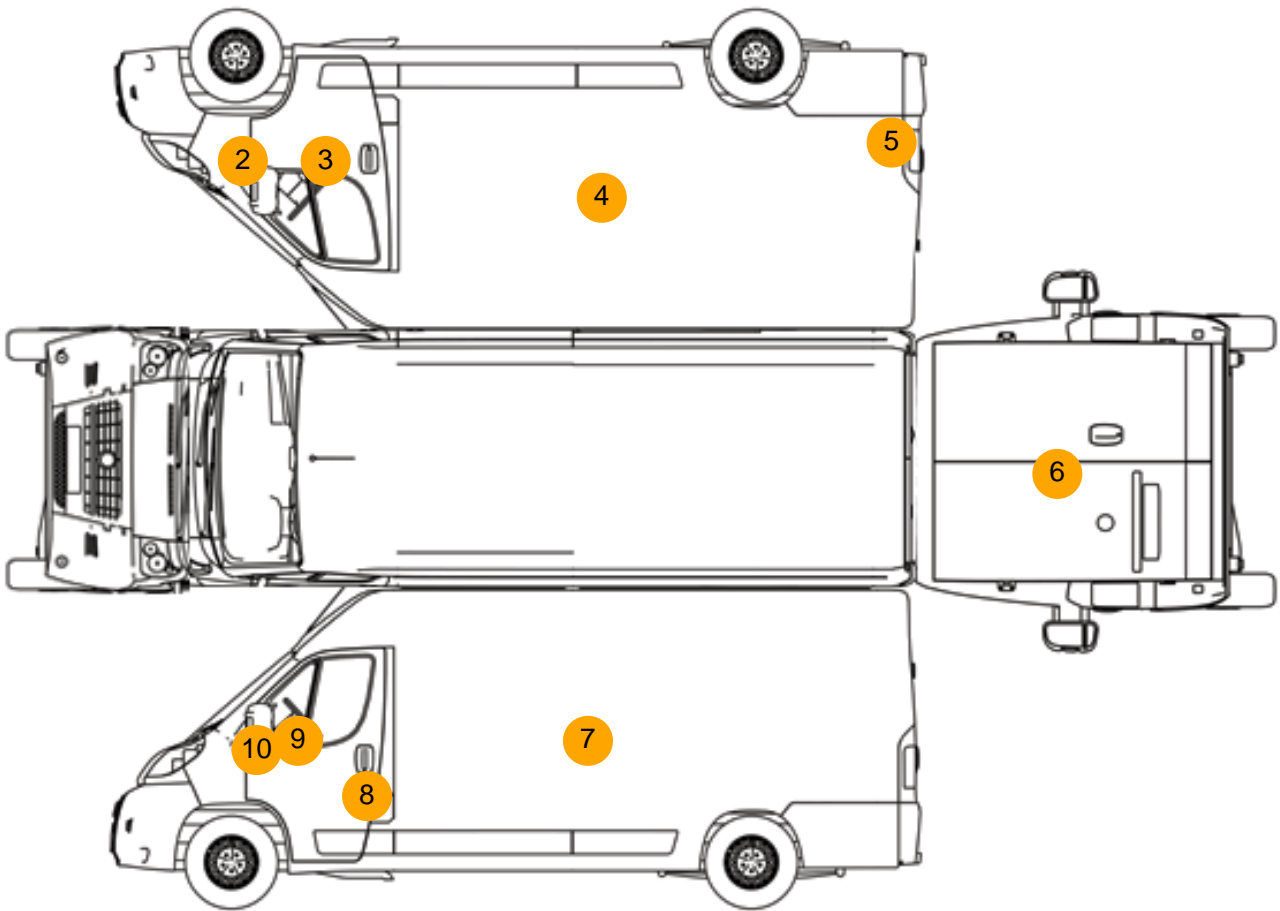
- Rear parking sensor
- Radio/CD
- Front electric windows
- Central locking

Photos





Condition Check



Damage Photos



1: Seat Base Cover of
Torn
Over 3mm

2: Wing of
Dented
With Paint Damage



3: Door osf
Dented
With Paint Damage

4: Qtr Panel osr
Dented
With Paint Damage



5: Bumper Rear Moulding
Scuffed (Unpainted)
UpTo 100mm

6: Tailgate
Dented
With Paint Damage



7: Door nsr
Dented
2 Or Less UpTo 10mm

8: Door nsf
Chipped
Edge Chip



9: Door Mirror Glass ns
Missing
Replace

10: Flasher Side Repeater ns
Broken
Replace

Interior

Carpet Condition	OK	Upholstery Condition	OK
Seat Condition	OK	Odour	No
Engine Runs	OK	Gearbox 1st and Reverse Test	OK
Brakes	OK	Clutch Slip Test from Static	OK
Turbo Boosting	OK	Gearbox Static Gear Selection (engine running)	OK
Parking Brake	OK	No Excessive Smoking	OK
EML light illuminated	OK	Oil warning light illuminated	OK
Airbag light illuminated	OK	DPF light illuminated	OK
ABS light illuminated	Fault	Service indicator light illuminated	OK
Windows	OK	Radio	OK
		Steering	OK