



**COMMERCIAL VEHICLE AUCTIONS LTD**  
THE UK'S MOST ESTABLISHED COMMERCIAL VEHICLE AUCTIONEERS

Carr Hill Industrial Estate  
Doncaster  
DN4 8DE

01302 732600 | cva.noreply@cva-auctions.co.uk

# VEHICLE INSPECTION REPORT

**SV69MVD**

## Scania R 450

### Inspection

Serious Damage? No

### Vehicle

VAT Plus VAT

V5 Present

### Details

Reg. date	09/01/2020	VIN	YS2R6X20005574169	Cab Type	SLEEPER CAB
Year	2020	Body Style	Tractor Unit	Gearbox	AUTOMATIC
Mileage	395,392 Km Not Warranted	MOT Due	31/05/2027	Axle Combi	6x2
Fuel Type	Diesel	CAP Clean	£30,600.00	Steering Combi	Mid-Lift
GVW	44000kg	CAP Average	£29,000.00	Rear Suspension	Air
Colour	WHITE	CAP Below	£26,000.00		

\*LOCATION AIRDRIE, SCOTLAND\* SLIDING 5TH WHEEL.

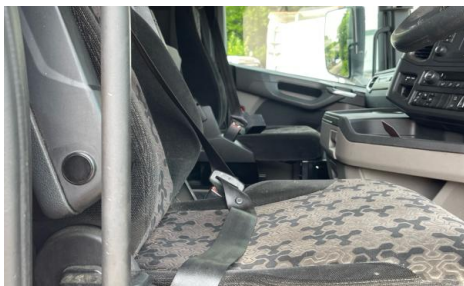
### Tyres

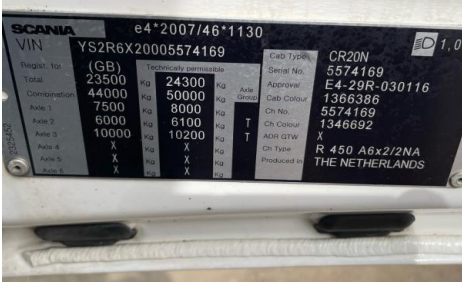
NSF	NSI1	NSI2	NSI3	NSI4
OSF	OSI1	OSI2	OSI3	OSI4
Spare	NSO1	NSO2	NSO3	NSO4
	OSO1	OSO2	OSO3	OSO4

## Features

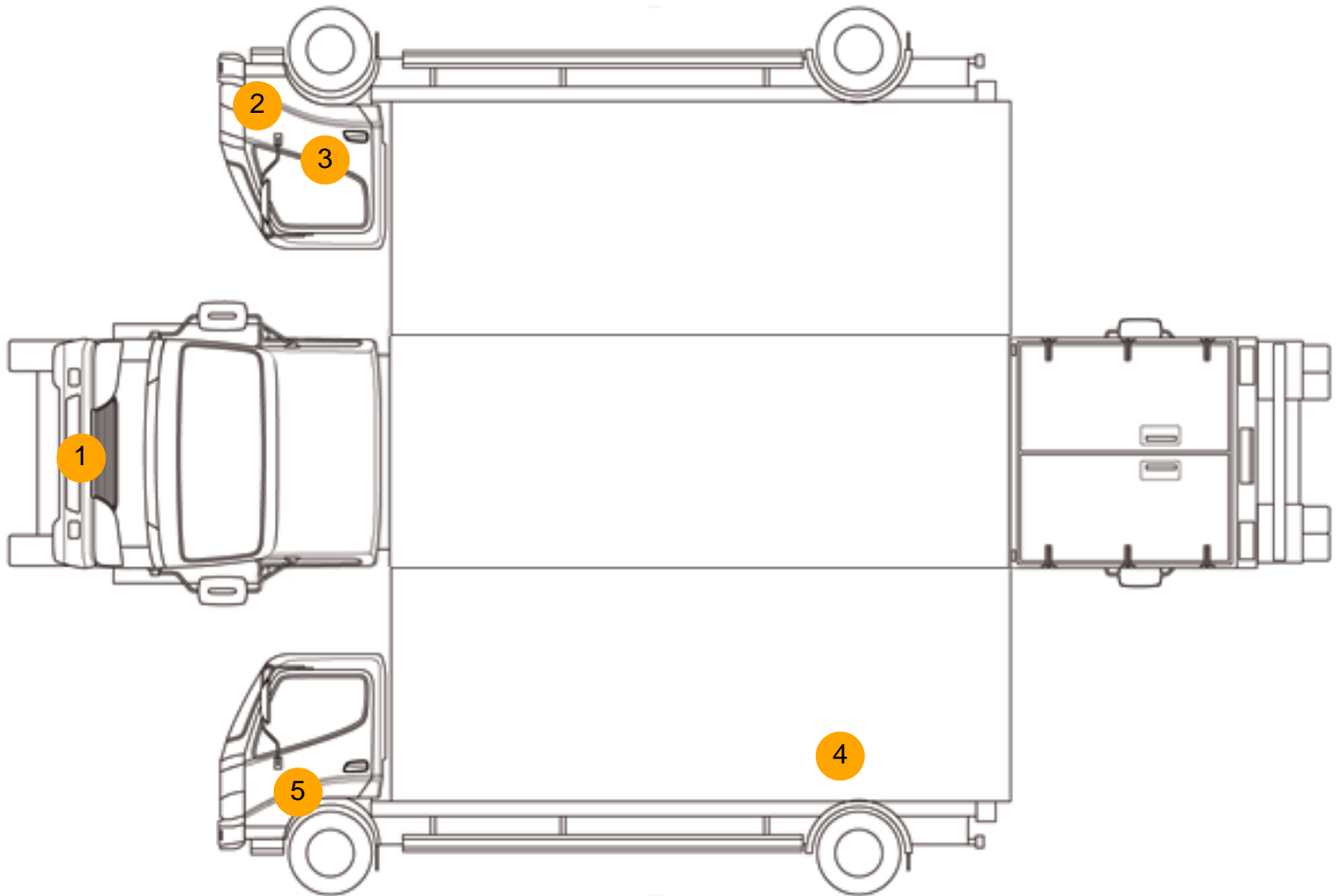
- Radio/CD
- Air conditioning

## Photos





## Condition Check



## Damage Photos



1: Bumper Front  
Chipped  
Multiple Chips

2: Wing osf  
Chipped  
1 To 5



3: Door osf  
Dented  
With Paint Damage

4: Qtr Panel Arch Extension ns  
Broken  
Replace



5: Door Moulding nsf  
Scuffed (Unpainted)  
Over 100mm

**Interior**

<b>Carpet Condition</b>	Average	<b>Upholstery Condition</b>	Average
<b>Seat Condition</b>	Average	<b>Odour</b>	-
Engine Runs	OK	Gearbox 1st and Reverse Test	OK
Brakes	OK	Clutch Slip Test from Static	OK
Turbo Boosting	OK	Gearbox Static Gear Selection (engine running)	OK
		No Excessive Smoking	OK
EML light illuminated	OK	Oil warning light illuminated	OK
Airbag light illuminated	OK	DPF light illuminated	OK
ABS light illuminated	OK	Service indicator light illuminated	OK

Roof / sunroof	OK	Radio	OK
Windows	OK	Steering	OK