



COMMERCIAL VEHICLE AUCTIONS LTD
THE UK'S MOST ESTABLISHED COMMERCIAL VEHICLE AUCTIONEERS

Carr Hill Industrial Estate
Doncaster
DN4 8DE

01302 732600 | cva.noreply@cva-auctions.co.uk

VEHICLE INSPECTION REPORT

DX69UGC

Volvo FH 500

Inspection

Serious Damage? No

Vehicle

VAT Plus VAT

V5 Present

Details

Reg. date	06/01/2020	VIN	YV2RT40C1LB924221	Cab Type	GLOBETROTTER CAB
Year	2020	Body Style	Tractor Unit	Gearbox	AUTOMATIC
Mileage	621,740 Km Not Warranted	MOT Due	31/01/2027	Axle Combi	6x2
Fuel Type	Diesel	CAP Clean	£27,650.00	Steering Combi	Mid-Lift
GVW	44000kg	CAP Average	£26,050.00	Rear Suspension	Air
Colour	WHITE	CAP Below	£23,500.00		

Tyres

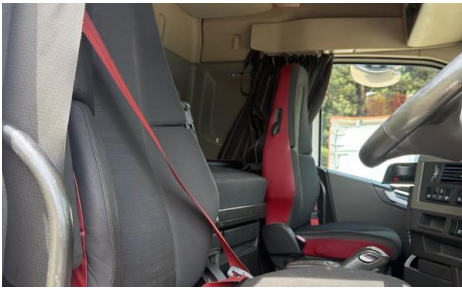
NSF	NSI1	NSI2	NSI3	NSI4
OSF	OSI1	OSI2	OSI3	OSI4
Spare	NSO1	NSO2	NSO3	NSO4
	OSO1	OSO2	OSO3	OSO4

Features

- Radio/CD
- Air conditioning

Photos





Type Approval No.		VOLVO FH		Year of Original Registration	Year of Manufacture	Year of Conversion
Function Model	ARTIC R	Year of Original Registration	06/01/20	Year of Manufacture	2019	
(1) Description of Vehicle	RT	(2) Weight set to be used for registration	26000	(3) Max. weight set to be used for registration	27000	(4) Change points to other weight sets
Gross Weight (max. 1 axle)	24000	26000	27000	6511	2518	
Max. Train Weight (max. 2 axles)	44000	44000	44000		4315	4305
Max. Train Weight (max. 3 axles)	44000	44000	44000			
Axis Weights	Axis 1	8000	8000			
	Axis 2	7500	7500			
	Axis 3	11500	11500			

DEPARTMENT FOR TRANSPORT GREAT BRITAIN

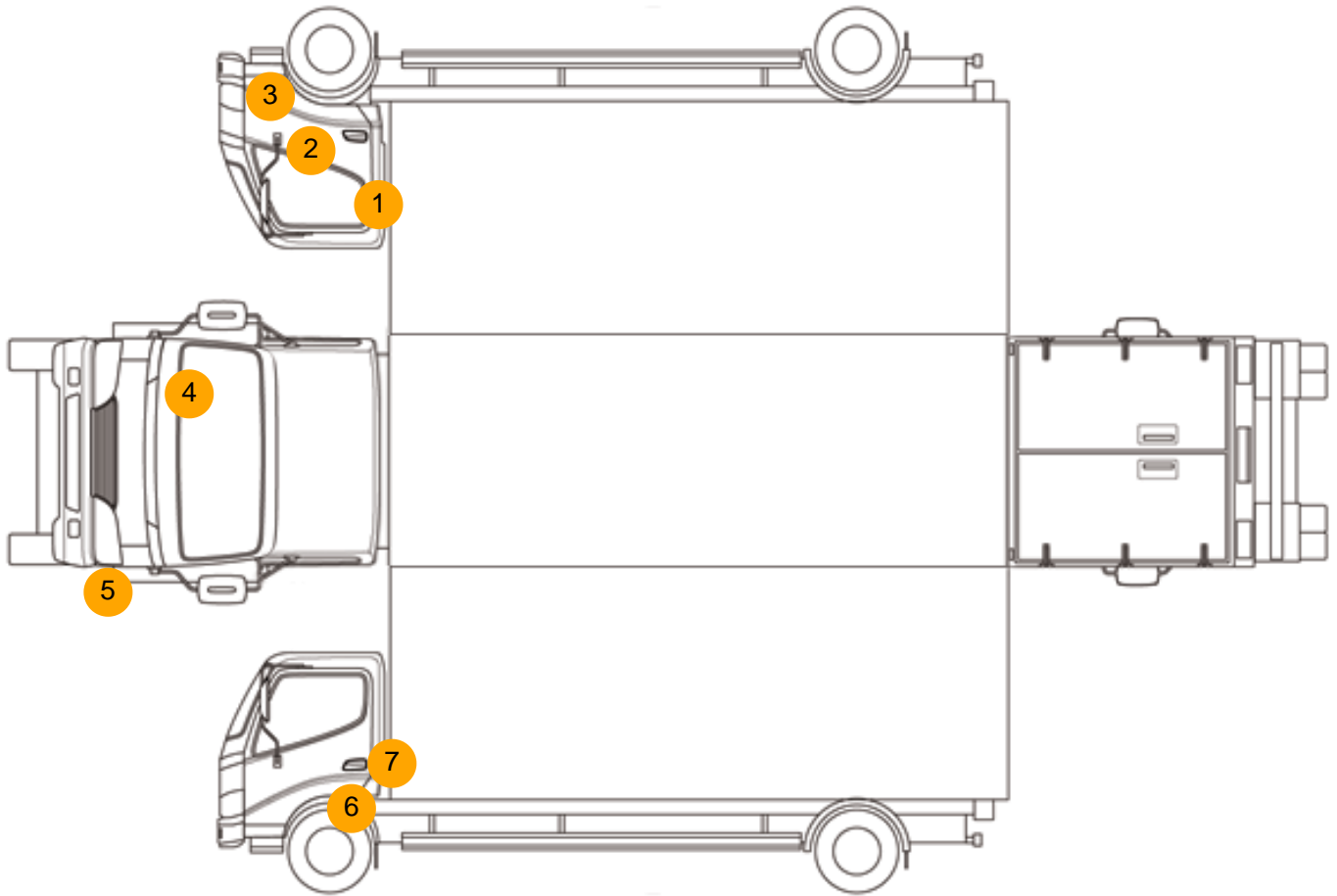
REPLACEMENT

Volvo Truck Corporation	
Drive	4x2
WB	11220
Product type	RT
Vehicle type	1
	2
	3
	4
	5





Condition Check



Damage Photos



1: Door osf
Chipped
Edge Chip

2: Door osf
Poor Previous Repair
Poor Paint



3: Bumper Front
Dented
With Paint Damage

4: Bonnet
Chipped
Multiple Chips



5: Bumper Front
Chipped
Over 5mm

6: Door nsf
Chipped
Multiple Chips



7: Door nsf
Scratched
Over 25mm Thru Paint

Interior

Carpet Condition	Average	Upholstery Condition	Average
Seat Condition	Average	Odour	-
Engine Runs	OK	Gearbox 1st and Reverse Test	OK
Brakes	OK	Clutch Slip Test from Static	OK
Turbo Boosting	OK	Gearbox Static Gear Selection (engine running)	OK
Parking Brake	OK	No Excessive Smoking	OK
EML light illuminated	OK	Oil warning light illuminated	OK
Airbag light illuminated	OK	DPF light illuminated	OK
ABS light illuminated	OK	Service indicator light illuminated	OK
Roof / sunroof	OK	Radio	OK
Windows	OK	Steering	OK