



COMMERCIAL VEHICLE AUCTIONS LTD
THE UK'S MOST ESTABLISHED COMMERCIAL VEHICLE AUCTIONEERS

Carr Hill Industrial Estate
Doncaster
DN4 8DE

01302 732600 | cva.noreply@cva-auctions.co.uk

VEHICLE INSPECTION REPORT

NJ19EVC

Volvo FH 540

Inspection

Serious Damage? No

Vehicle

VAT Plus VAT

V5 Present

Details

Reg. date 03/06/2019

Year 2019

Mileage 860,970 Km Not Warranted

Fuel Type Diesel

Colour BLUE

VIN YV2RT60C1KB903007

Body Style Tractor Unit

MOT Due 30/06/2026

Cab Type GLOBETROTTER CAB

Gearbox AUTOMATIC

Axle Combi 6x2

Rear Suspension Air

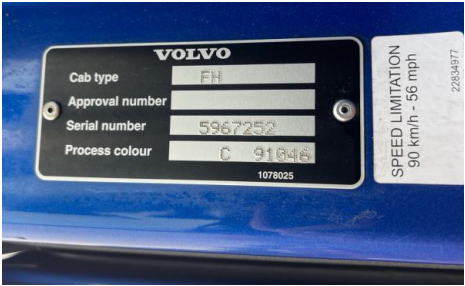
SLIDING 5TH WHEEL, TWIN LINE PTO HYDRAULICS, REAR LIFT, LEATHER.

Tyres

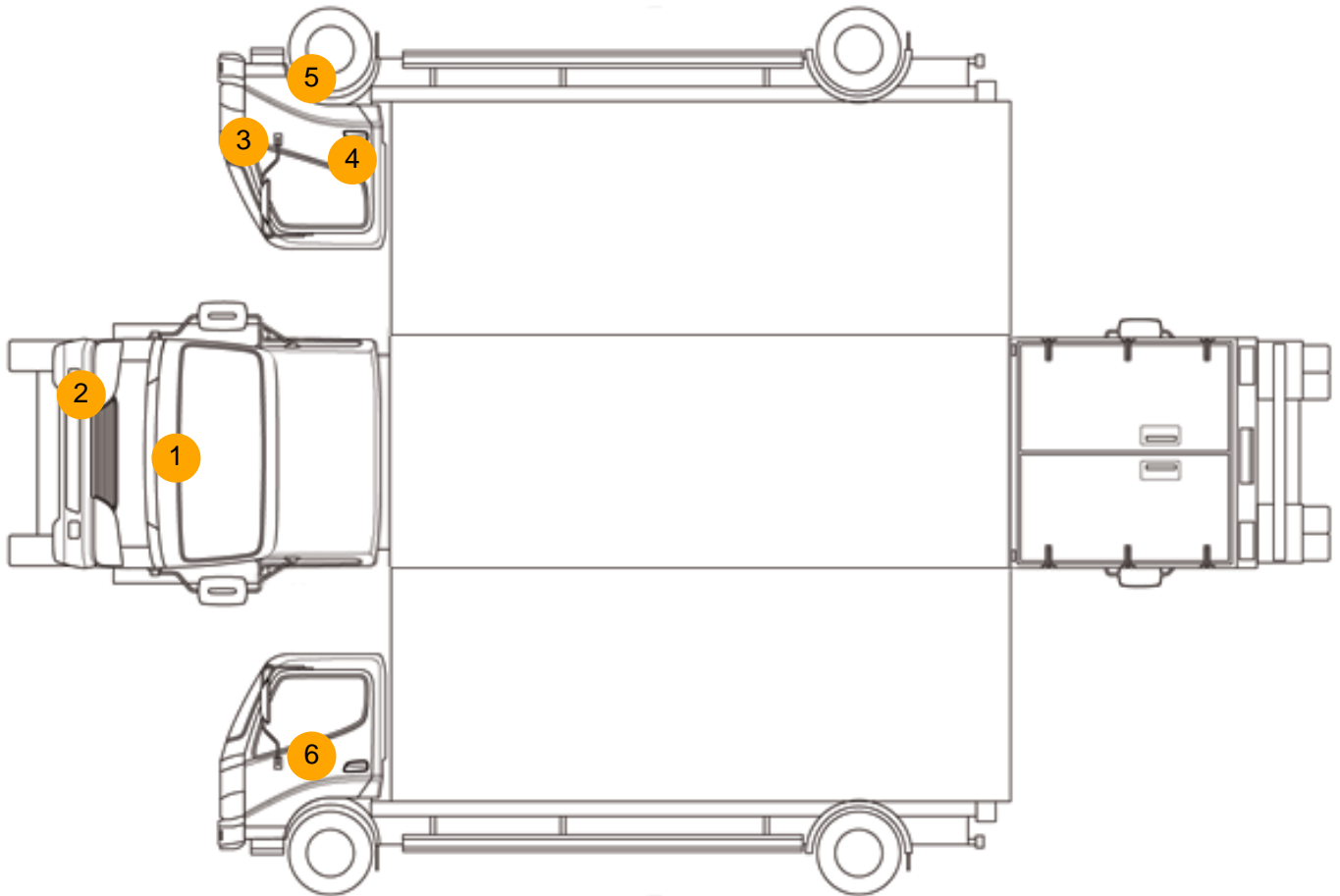
NSF	NSI1	NSI2	NSI3	NSI4
OSF	OSI1	OSI2	OSI3	OSI4
Spare	NSO1	NSO2	NSO3	NSO4
	OSO1	OSO2	OSO3	OSO4

Photos





Condition Check

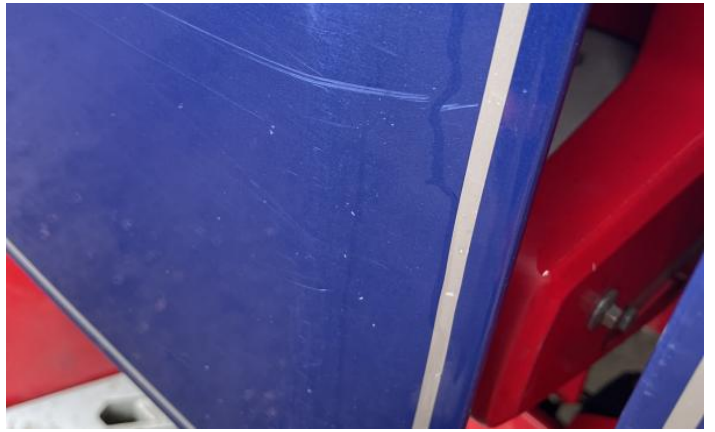


Damage Photos



1: Bonnet
Chipped
Multiple Chips

2: Bumper Front
Chipped
Multiple Chips



3: Wing osf
 Scratched
 Over 25mm Not Thru Paint

4: Door osf
 Dented
 With Paint Damage



5: Door Moulding osf
 Scratched (Painted)
 Over 25mm Thru Paint

6: Door nsf
 Scratched
 Over 25mm Thru Paint

Interior

Carpet Condition	Average	Upholstery Condition	Average
Seat Condition	Average	Odour	-
Engine Runs	OK	Gearbox 1st and Reverse Test	OK
Brakes	OK	Clutch Slip Test from Static	OK
Turbo Boosting	OK	Gearbox Static Gear Selection (engine running)	OK
Parking Brake	OK	No Excessive Smoking	OK
EML light illuminated	OK	Oil warning light illuminated	OK
Airbag light illuminated	OK	DPF light illuminated	OK
ABS light illuminated	OK	Service indicator light illuminated	OK

Roof / sunroof	OK	Radio	OK
Windows	OK	Steering	OK